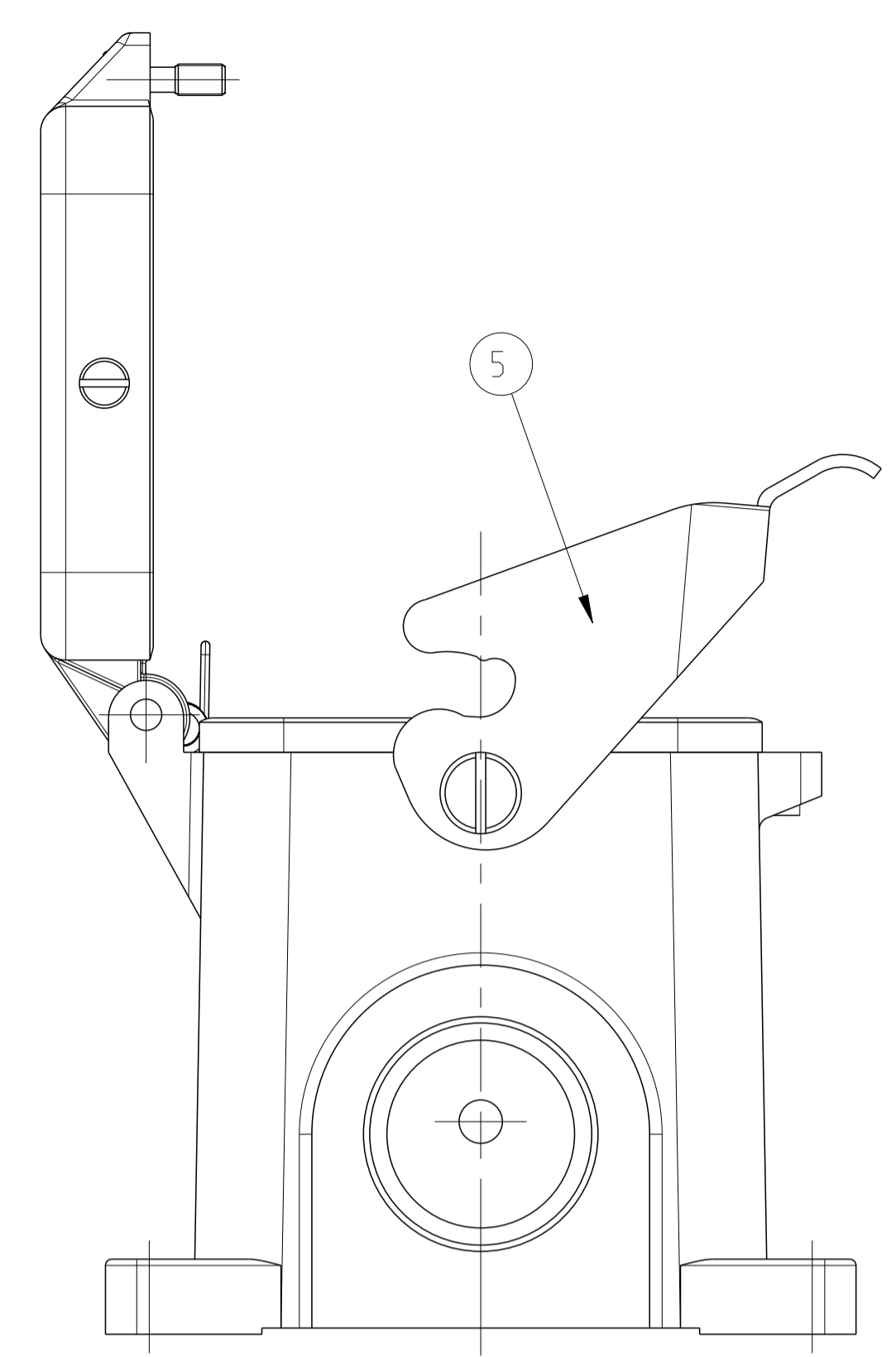
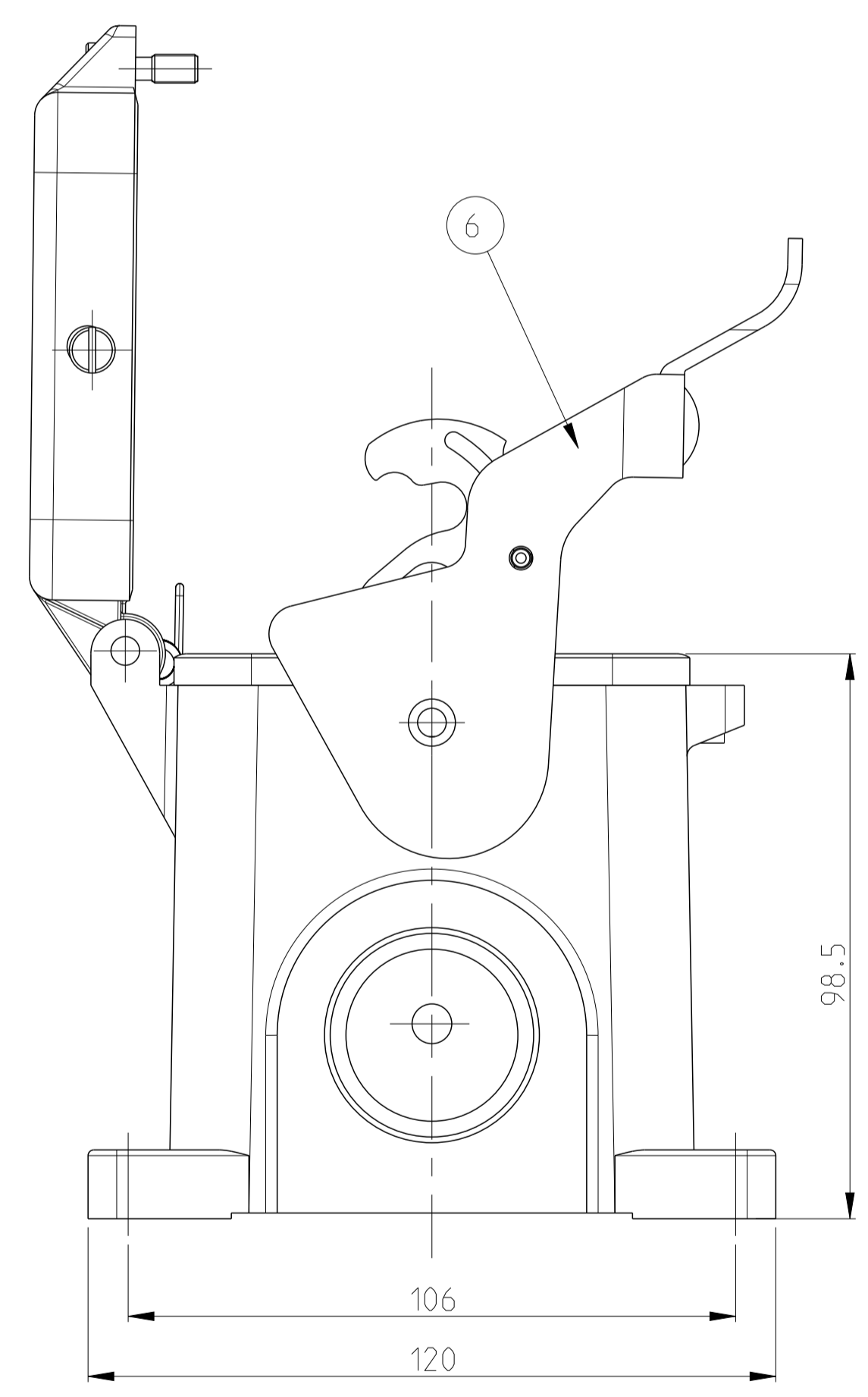
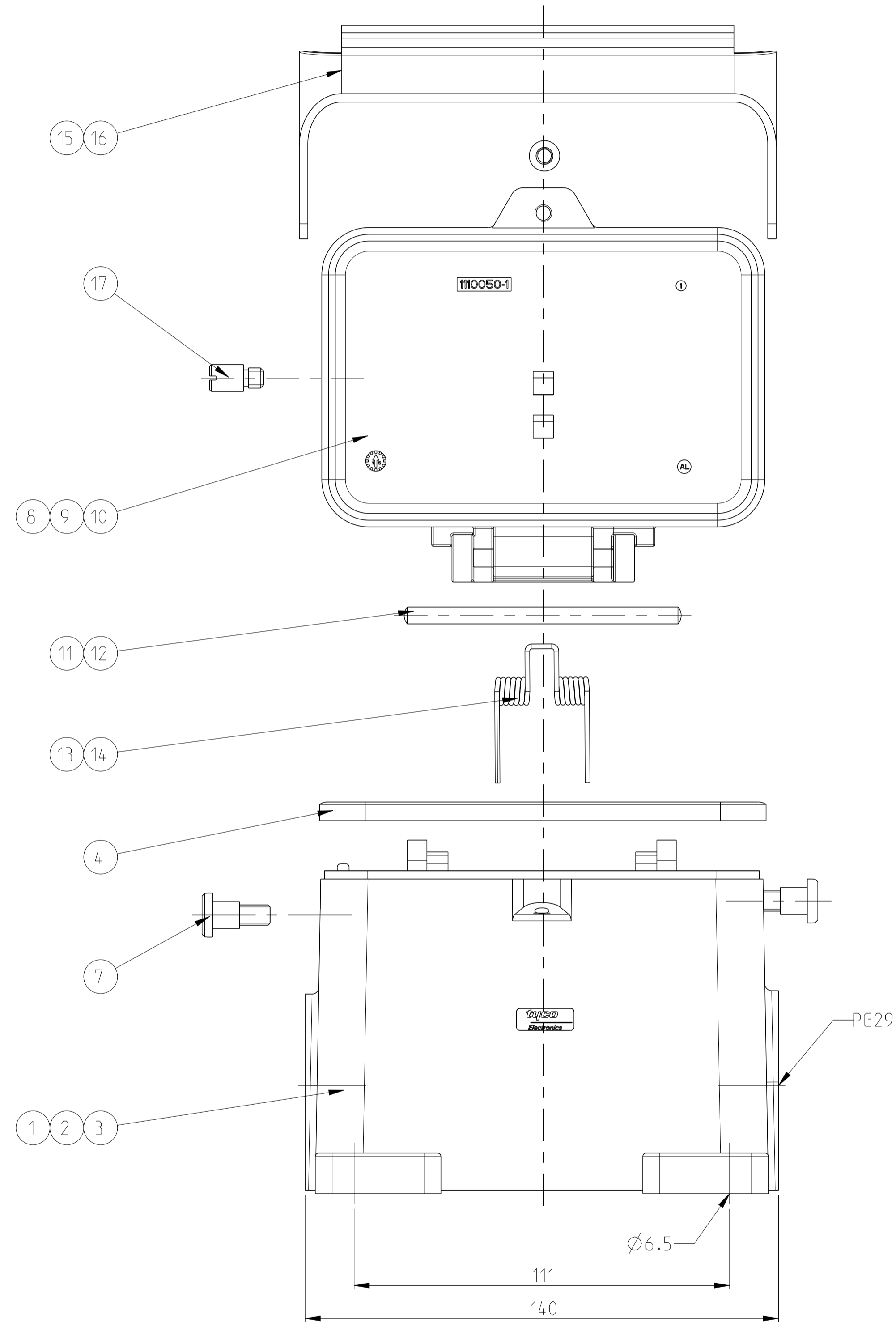


LOC	DIST	REVISIONS			
		REV	DATE	BY	CHKD
A1	-	A3	28JAN2009	SR	AR
		A4	29JAN2015	GSK	MKO
		A5	21AUG2017	NG	MKO



- NOTES
- PART SHALL BE FREE AND CLEAN OF BURRS AND OTHER FOREIGN MATERIAL
 - PACKAGING: QUANTITY 2 PIECES
 - VARNISHING INSIDE HOUSING NOT REQUIRED

QTY	REV	DESCRIPTION	MATERIAL	SURFACE	COLOR	ITEM	NOTES	
1	1	CLIP BOLT	STAINLESS STEEL	BLANC		17		
1	1	CILYNDER SCREW	STAINLESS STEEL	BLANC		16	M5x16	
1	1	CILYNDER SCREW	STEEL	ZINC PLATED	BLUE	15	M5x16	
1	1	LEG SPRING	STAINLESS STEEL	BLANC		14		
1	1	LEG SPRING	STEEL	ZINC PLATED	BLUE	13		
1	1	RIVET PIN	STAINLESS STEEL	BLANC		12	5x80	
1	1	RIVET PIN	STEEL	ZINC PLATED	BLUE	11	5x80	
1	1	COVER	ALUMINIUM		WITHOUT VARNISH	10		
1	1	COVER	ALUMINIUM	ALUMINIUMOXID	BLACK	9		
1	1	COVER	ALUMINIUM		GREY	8		
2	2	2 SLOTTED PAN HEAD SCREW	STAINLESS STEEL	BLANC		7	M6x8	
1	1	SIDE CLIP	STAINLESS STEEL	BLANK		6		
1	1	SIDE CLIP	STEEL	ZINC PLATED	BLUE	5		
1	1	PRPOFIL SEAL	NEOPRENE		BLACK	4		
1	1	SURFACE MOUNTED HOUSING SIDE ENTRY	ALUMINIUM		WITHOUT VARNISH	3	WITHOUT Pg	
1	1	SURFACE MOUNTED HOUSING SIDE ENTRY	ALUMINIUM	ALUMINIUMOXID	BLACK	2		
1	1	SURFACE MOUNTED HOUSING SIDE ENTRY	ALUMINIUM		GREY	1		
0-1	2-2	1-2	DESCRIPTION	MATERIAL	SURFACE	COLOR	ITEM	NOTES
			HB.48.SGD-LB.1.29.Z					
			HB-K.48.SGD-LB.1.29.Z					
			HB.48.SGD-LB-V2A					

THIS DRAWING IS A CONTROLLED DOCUMENT. DWG: R.SCHNEIDER 28JAN2009
 CHK: T.SCHNURPFEL 28JAN2009

TE Connectivity

NAME: SURFACE MOUNTED HOUSING SIDE ENTRY
 HB.48.SGD-LB.1.29.Z

SIZE: A1 CAGE CODE: 00779 DRAWING NO: 1107001
 SCALE: 1:1 SHEET 1 OF 1 REV: A5

单击下面可查看定价，库存，交付和生命周期等信息

[>>TE Connectivity\(泰科\)](#)