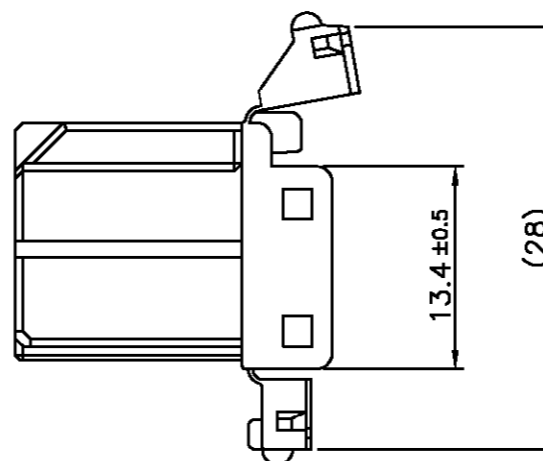
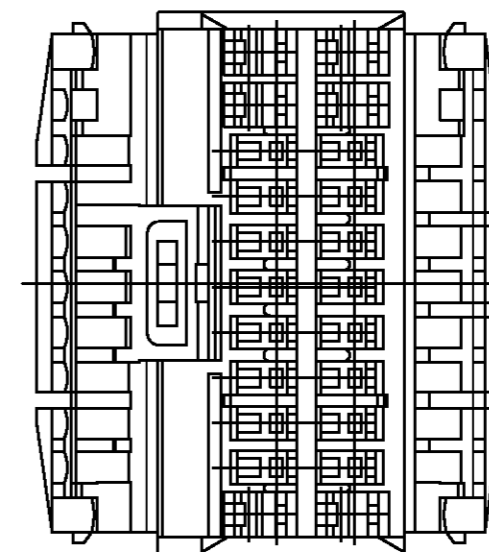
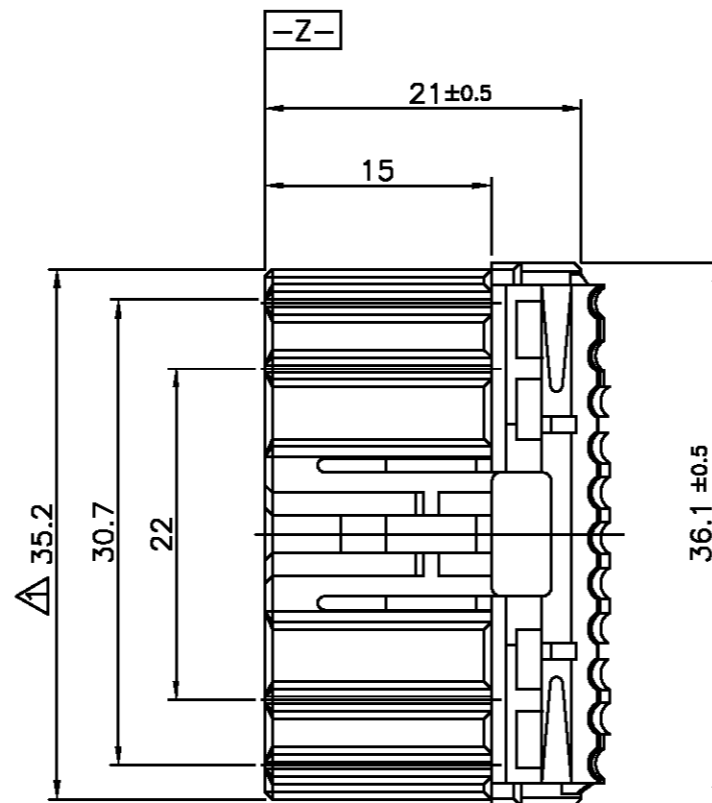
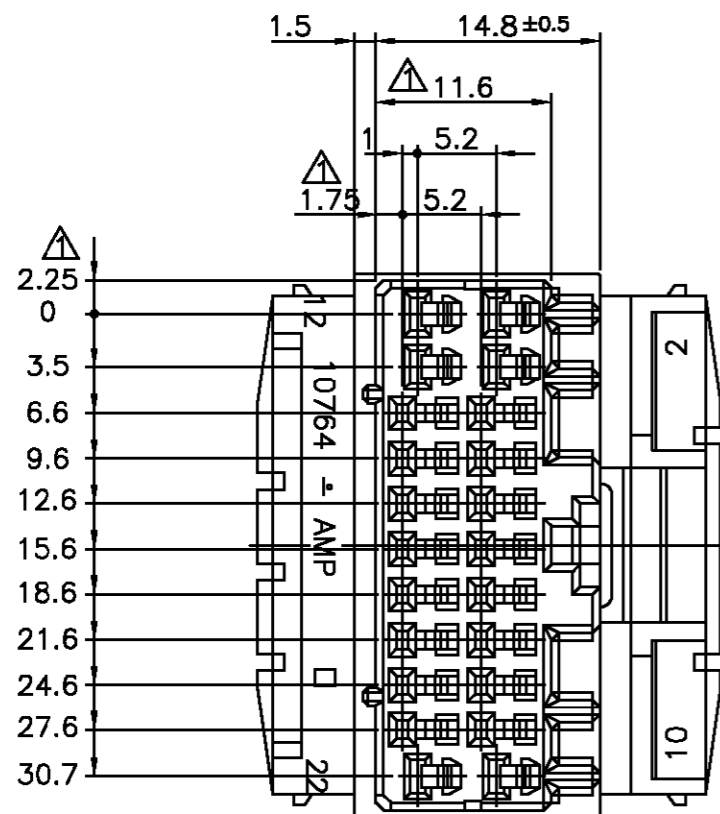


P	LTR	DESCRIPTION	DATE	DWN	APVD
	O	RELEASED(RD96-369)	25/NOV/96	HS	CS
	A	REVISED(FC00-0084-03)	09/JUN/03	HS	CS



YELLOW	-7
GRAY	-6
Ⓐ BLACK	-2
NATURAL	-1
COLOR	P/N

NOTES;

- △ MUST BE KEPT BETWEEN $-Z-$ AND 2mm.
- THE MATING CAP HOUSING PART NUMBER, 174518
- APPLIDE CONTACT PART NUMBER, 173631, 173716
- APPLICABLE PRODUCT SPEC NO. 108-5280

<small>THIS DRAWING IS A CONTROLLED DOCUMENT FOR TYCO ELECTRONICS CORPORATION. IT IS SUBJECT TO CHANGE AND THE CONTROLLING ENGINEERING ORGANIZATION SHOULD BE CONTACTED FOR THE LATEST REVISION.</small>		DWN			AMP KOREA. kyungsan, korea
DIMENSIONS: MM		CHK	NAME		
TOLERANCES UNLESS OTHERWISE SPECIFIED: 0 <XX<10 ± 0.2 10 <XX<30 ± 0.25 30 <XX ± 0.3 ANGLES ± 3°		APVD	22P PLUG HOUSING, HYBRID I/O CONN.		
		PRODUCT SPEC	SIZE		
MATERIAL PBT		APPLICATION SPEC	CAGE CODE	DRAWING NO	RESTRICTED TO
FINISH		WEIGHT	A3	00779	©= 368135
		SCALE 2/1		SHEET 1 OF 1	REV A

单击下面可查看定价，库存，交付和生命周期等信息

[>>TE Connectivity\(泰科\)](#)