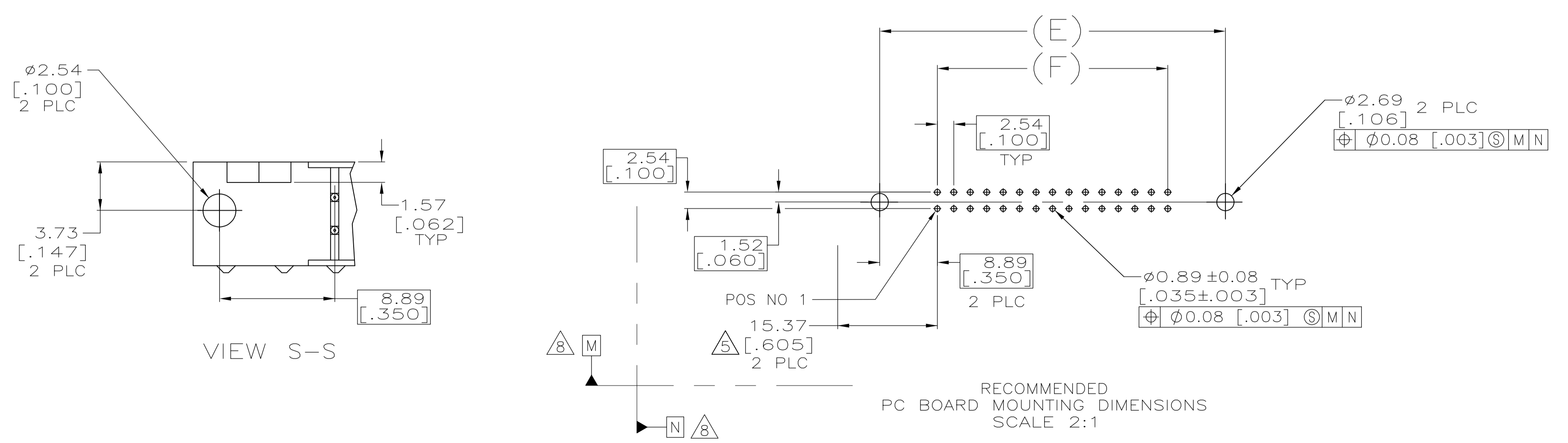
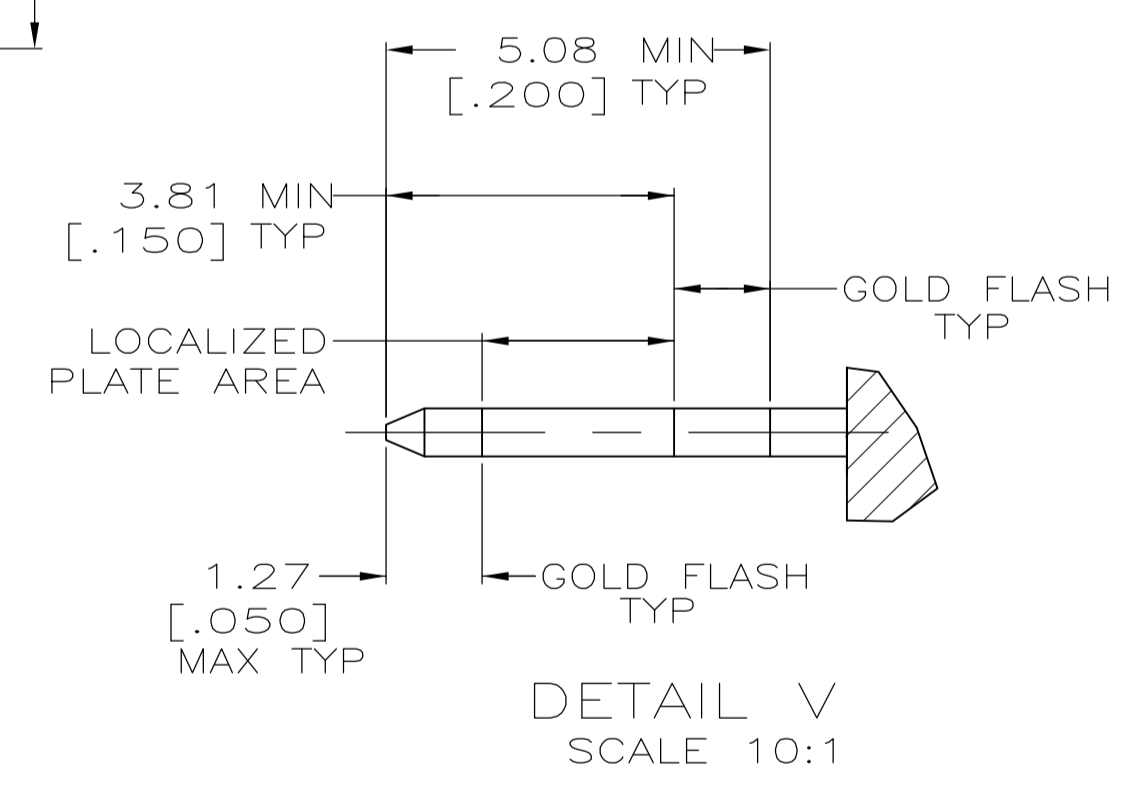
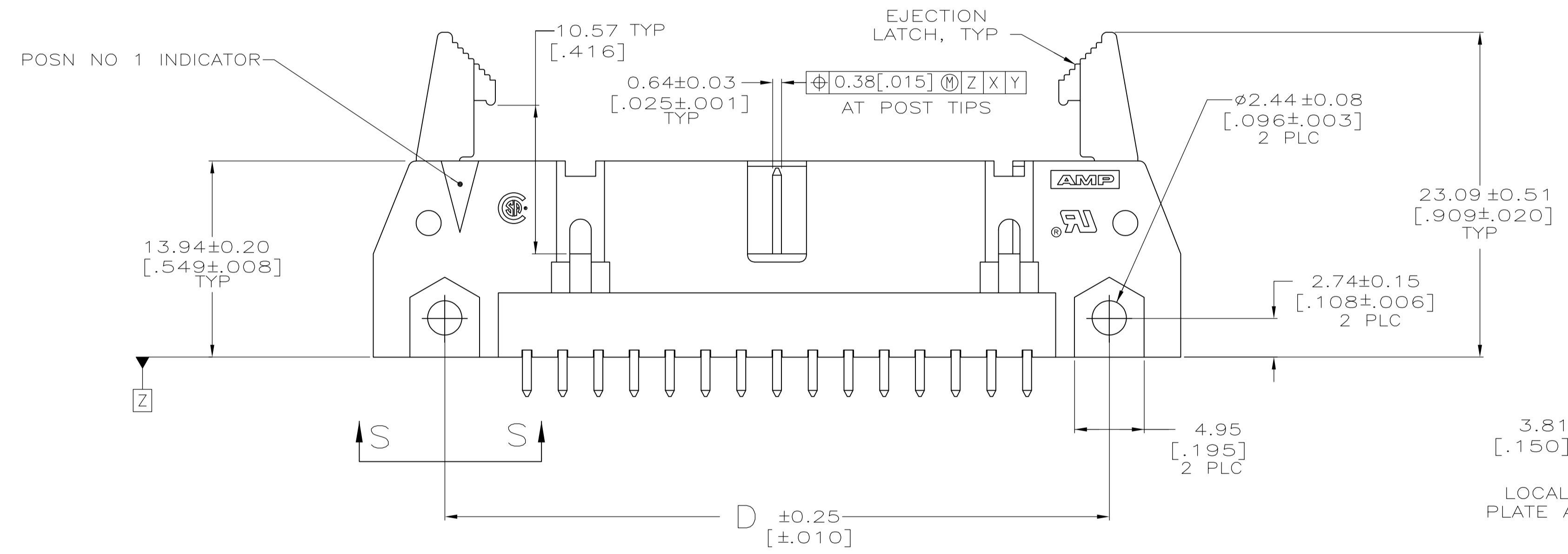
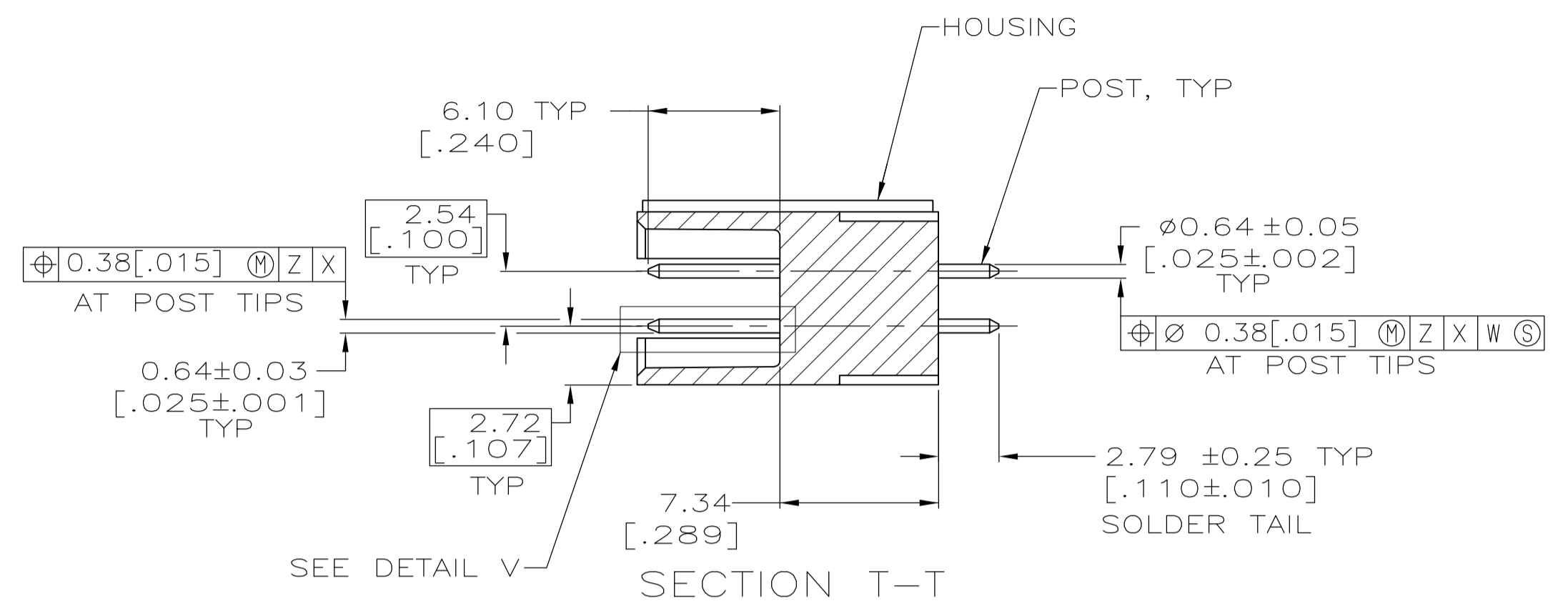
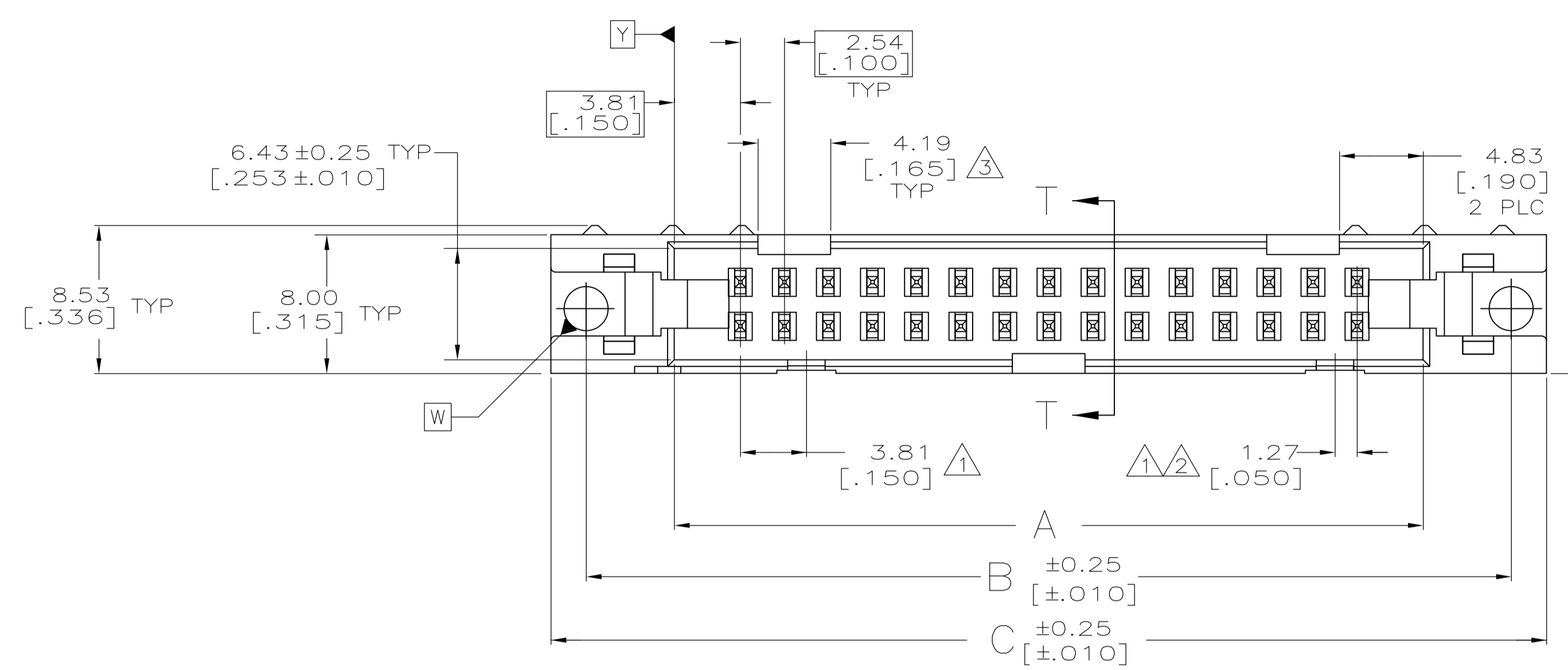


EJECTION LATCHES OMITTED IN THIS VIEW FOR CLARITY



SEE SHEET 2 FOR TABLE & NOTES

THIS DRAWING IS A CONTROLLED DOCUMENT.		DIN C. VALENTINE 06DEC2010	TE Connectivity	
DIMENSIONS: mm [INCHES]		CHK S. BOLASH 06DEC2010		
TOLERANCES UNLESS OTHERWISE SPECIFIED:		APVD S. BOLASH 06DEC2010	NAME	
0 PLC ± -	1 PLC ± -	108-40018		
2 PLC ± 0.13[.005]	3 PLC ± -	APPLICATION SPEC		
4 PLC ± -	ANGLES ± -	SIZE	CAGE CODE	DRAWING NO
MATERIAL	FINISH	WEIGHT	A1 00779	C=2169662
CUSTOMER DRAWING		SCALE	4:1	SHEET 1 OF 2
		REV	C	

- ① COORDINATE DIMENSION APPLIES FROM BASIC LOCATION.
- ② 10 AND 14 POSITION SIZES CONTAIN ONLY ONE SLOT FOR SNAP-IN POLARIZER (MILITARY POLARIZATION) LOCATED AS SHOWN.
- ③ 10 POSITION SIZES CONTAIN ONLY ONE SLOT FOR DUAL POLARIZATION, LOCATED AS SHOWN.
- 4. RECOMMENDED PRINTED CIRCUIT BOARD THICKNESS IS 1.57 [.062].
- ⑤ DISTANCE REQUIRED BY EJECTION LATCHES IN THE OPEN POSITION.
- ⑥ HOUSING & LATCHES, GLASS FILLED NYLON OR POLYESTER, UL94V-0 RATED, BLACK. POSTS: PH BRZ OR BRASS.
- ⑦ POSTS: 0.76 μ m[.000030] MIN GOLD PLATE ON THE LOCALIZED PLATE AREA, 2.54 μ m[.000100] MIN TIN PLATE ON THE SOLDER-TAIL, 1.27 μ m[.000050] MIN NICKEL UNDERPLATE ON THE ENTIRE POST.
- ⑧ DATUMS M & N TO BE ESTABLISHED BY CUSTOMER.
- ⑨ DEVELOPMENT PART NUMBER - NOT RELEASED FOR PRODUCTION.

⑨	53.34	71.12	65.02	75.18	71.12	60.96	44	1-2169662-3
	[2.100]	[2.800]	[2.560]	[2.960]	[2.800]	[2.400]		
⑨	78.74	96.52	90.42	100.58	96.52	86.36	64	1-2169662-2
	[3.100]	[3.800]	[3.560]	[3.960]	[3.800]	[3.400]		
⑨	73.66	91.44	85.34	95.50	91.44	81.28	60	1-2169662-1
	[2.900]	[3.600]	[3.360]	[3.760]	[3.600]	[3.200]		
⑨	60.96	78.74	72.64	82.80	78.74	68.58	50	1-2169662-0
	[2.400]	[3.100]	[2.860]	[3.260]	[3.100]	[2.700]		
⑨	48.26	66.04	59.94	70.10	66.04	55.88	40	2169662-9
	[1.900]	[2.600]	[2.360]	[2.760]	[2.600]	[2.200]		
⑨	40.64	58.42	52.32	62.48	58.42	48.26	34	2169662-8
	[1.600]	[2.300]	[2.060]	[2.460]	[2.300]	[1.900]		
⑨	35.56	53.34	47.24	57.40	53.34	43.18	30	2169662-7
	[1.400]	[2.100]	[1.860]	[2.260]	[2.100]	[1.700]		
⑨	30.48	48.26	42.16	52.32	48.26	38.10	26	2169662-6
	[1.200]	[1.900]	[1.660]	[2.060]	[1.900]	[1.500]		
⑨	27.94	45.72	39.62	49.78	45.72	35.56	24	2169662-5
	[1.100]	[1.800]	[1.560]	[1.960]	[1.800]	[1.400]		
⑨	22.86	40.64	34.54	44.70	40.64	30.48	20	2169662-4
	[.900]	[1.600]	[1.360]	[1.760]	[1.600]	[1.200]		
⑨	17.78	35.56	29.46	39.62	35.56	25.40	16	2169662-3
	[.700]	[1.400]	[1.160]	[1.560]	[1.400]	[1.000]		
⑨	15.24	33.02	26.92	37.08	33.02	22.86	14	2169662-2
	[.600]	[1.300]	[1.060]	[1.460]	[1.300]	[.900]		
⑨	10.16	27.94	21.84	32.00	27.94	17.78	10	2169662-1
	[.400]	[1.100]	[.860]	[1.260]	[1.100]	[.700]		
	F	E	D	C	B	A	NO OF POSN	PART NUMBER

THIS DRAWING IS A CONTROLLED DOCUMENT.		DIN C. VALENTINE 06DEC2010	STE TE Connectivity	
DIMENSIONS: INCHES		CHK S. BOLASH 06DEC2010		
TOLERANCES UNLESS OTHERWISE SPECIFIED:		APVD S. BOLASH 06DEC2010	NAME	
0 PLC ± -	1 PLC ± -	PRODUCT SPEC		
2 PLC ± 0.13[.005]	3 PLC ± -	108-40018		
4 PLC ± -	ANGLES ± -	APPLICATION SPEC		
MATERIAL SEE SHEET 1	FINISH SEE SHEET 1	WEIGHT -	SIZE A1	CAGE CODE 00779
CUSTOMER DRAWING		SCALE 4:1	DRAWING NO. 2169662	RESTRICTED TO
		SHEET 2 OF 2	REV C	

单击下面可查看定价，库存，交付和生命周期等信息

[>>TE Connectivity\(泰科\)](#)