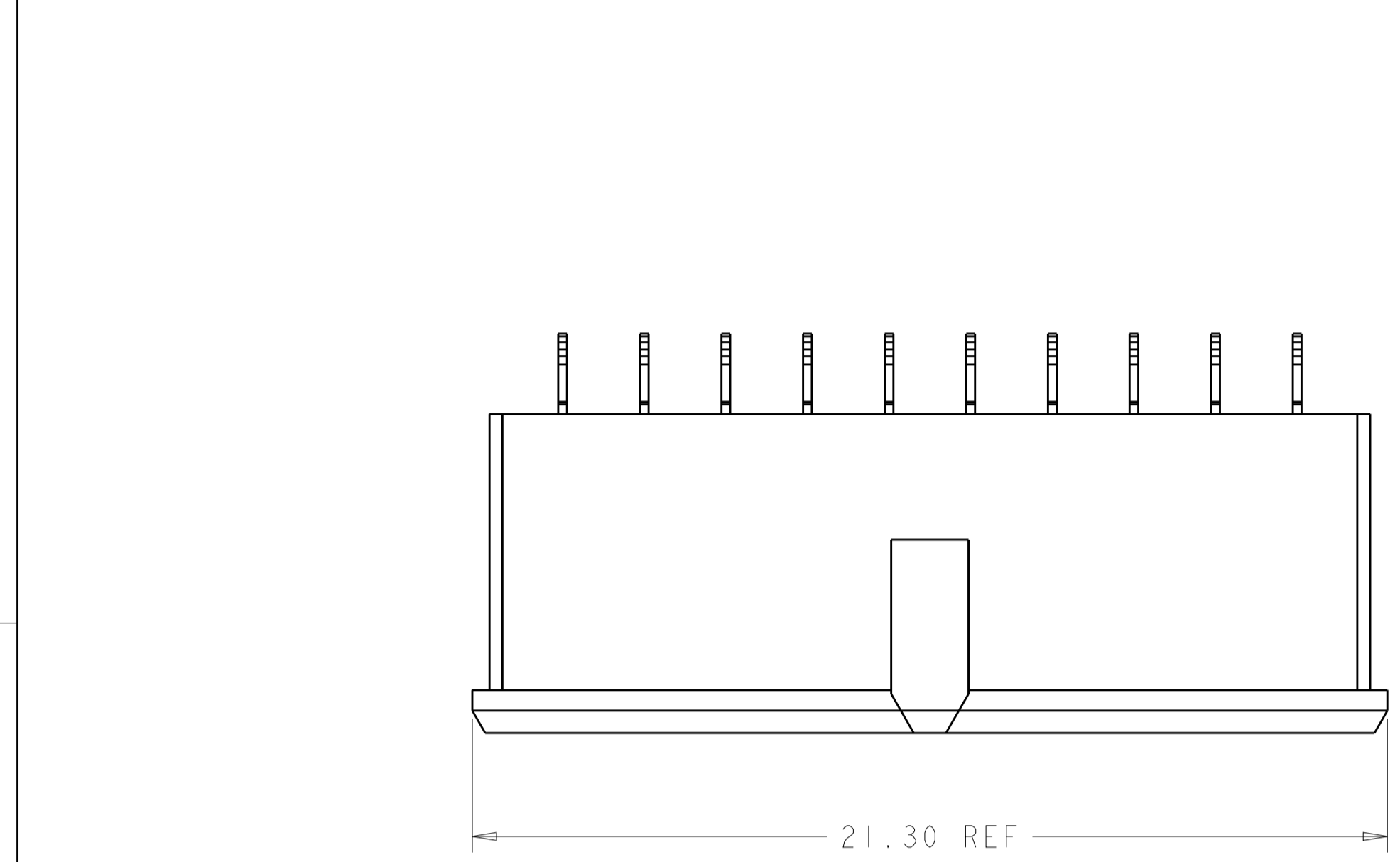
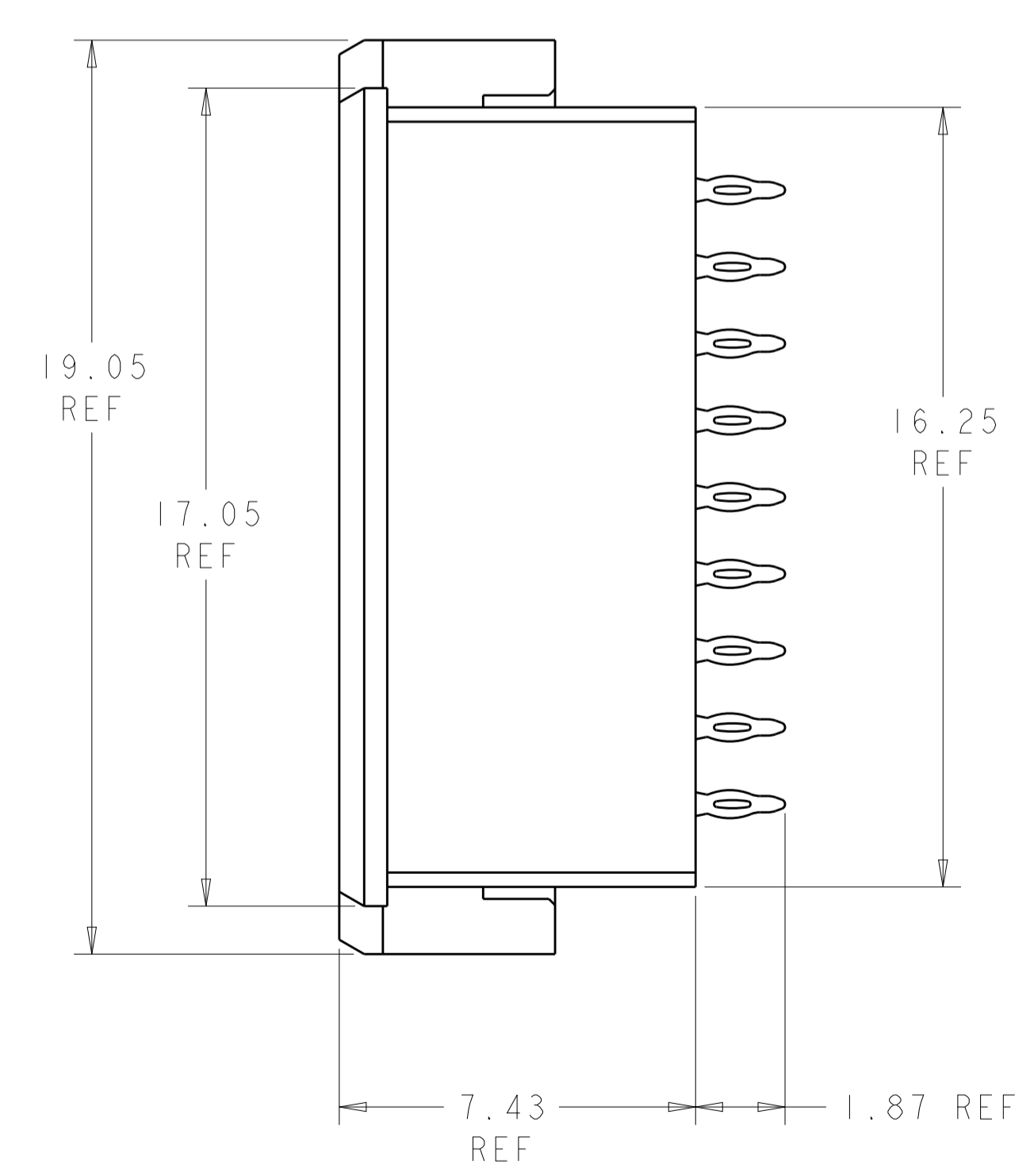
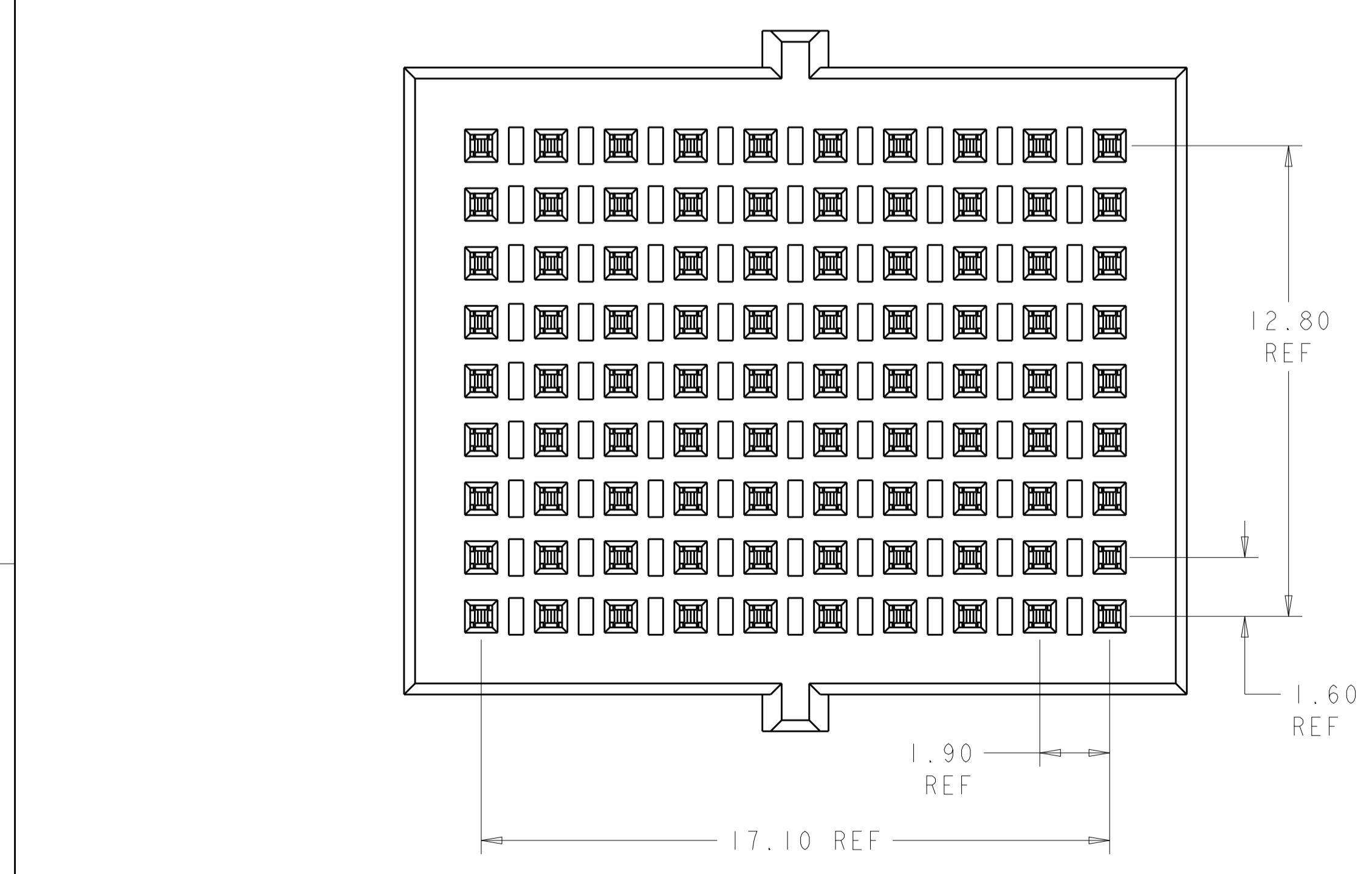
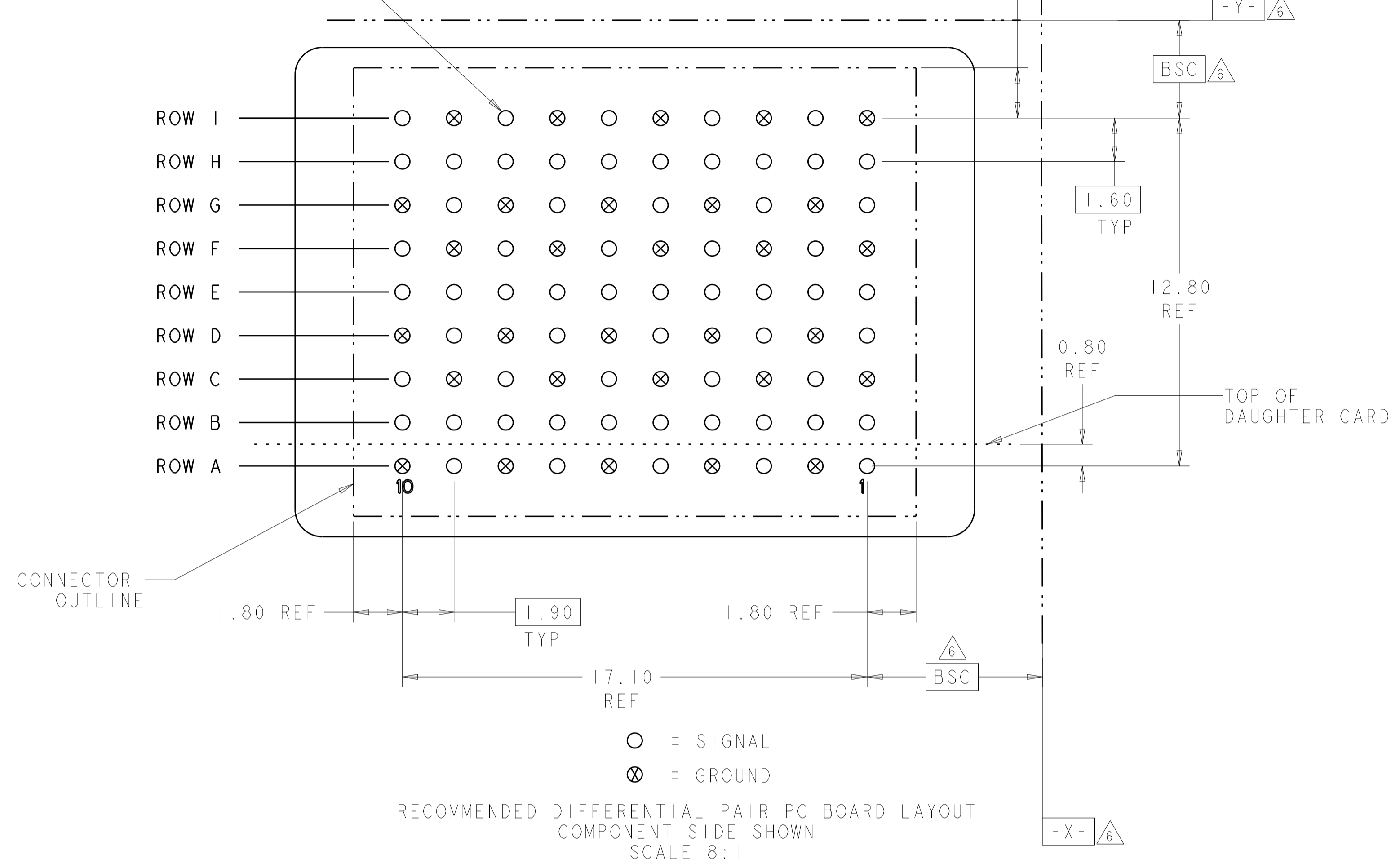


LOC		DIST		REVISIONS			
P	LTN	DESCRIPTION	DATE	DMN	APVD		
B		REV PER ECO 12-010940	7-31-12	CT	DH		
C		ECO-13-004755	26MAR2013	KG	DH		
D		ECO-14-017030	25NOV2014	MGM	CT		



⊕ ∅0.05 X Y
FINISHED HOLE SIZE AND PLATED THRU HOLES



- 1 MATERIAL:
CONTACT - COPPER ALLOY
HOUSING - LCP, COLOR - BLACK
- 2 FINISH:
MATING AREA: 1.27µm MIN GOLD OVER
1.27µm MIN NICKEL
- 3 FINISH:
COMPLIANT PIN AREA: 0.38µm MIN BRIGHT TIN LEAD
OVER 1.27µm MIN NICKEL
- 4 FINISH:
COMPLIANT PIN AREA: 0.38µm MIN MATTE TIN
OVER 1.27µm MIN NICKEL
- 5 ---
- 6 DATUMS AND BASIC DIMENSIONS ESTABLISHED BY CUSTOMER.
- 7 REFERENCE APPLICATION SPEC 114-13267 FOR RECOMMENDED PLATING THRU HOLE DIAMETER AND PLATING THICKNESS.

2, 4	2102157-2
2, 3	2102157-1
FINISH	PART NUMBER

THIS DRAWING IS A CONTROLLED DOCUMENT. DIMENSIONING AND TOLERANCING PER GPS (150 STANDARDS). DIMENSIONS: mm. TOLERANCES UNLESS OTHERWISE SPECIFIED: 0 PLC ±.13, 1 PLC ±0.13, 2 PLC ±0.05, 3 PLC ±.05, 4 PLC ±.05, ANGLES ±.2°.		DMN: D. BELACK 24JUN2009 CHK: A. TSANG 6-24-2009 APVD: M. McALONIS 6-24-2009	NAME: Fortis Zd. 3-PAIR, 10-COLUMN, VERTICAL, SINGLE MODULE ASSEMBLY
MATERIAL: 1	FINISH: -	SIZE: 114-13267 WEIGHT: ~3.83g	RESTRICTED TO: -
CUSTOMER DRAWING		SCALE: 8:1	SHEET 1 OF 1 REV D

单击下面可查看定价，库存，交付和生命周期等信息

[>>TE Connectivity\(泰科\)](#)