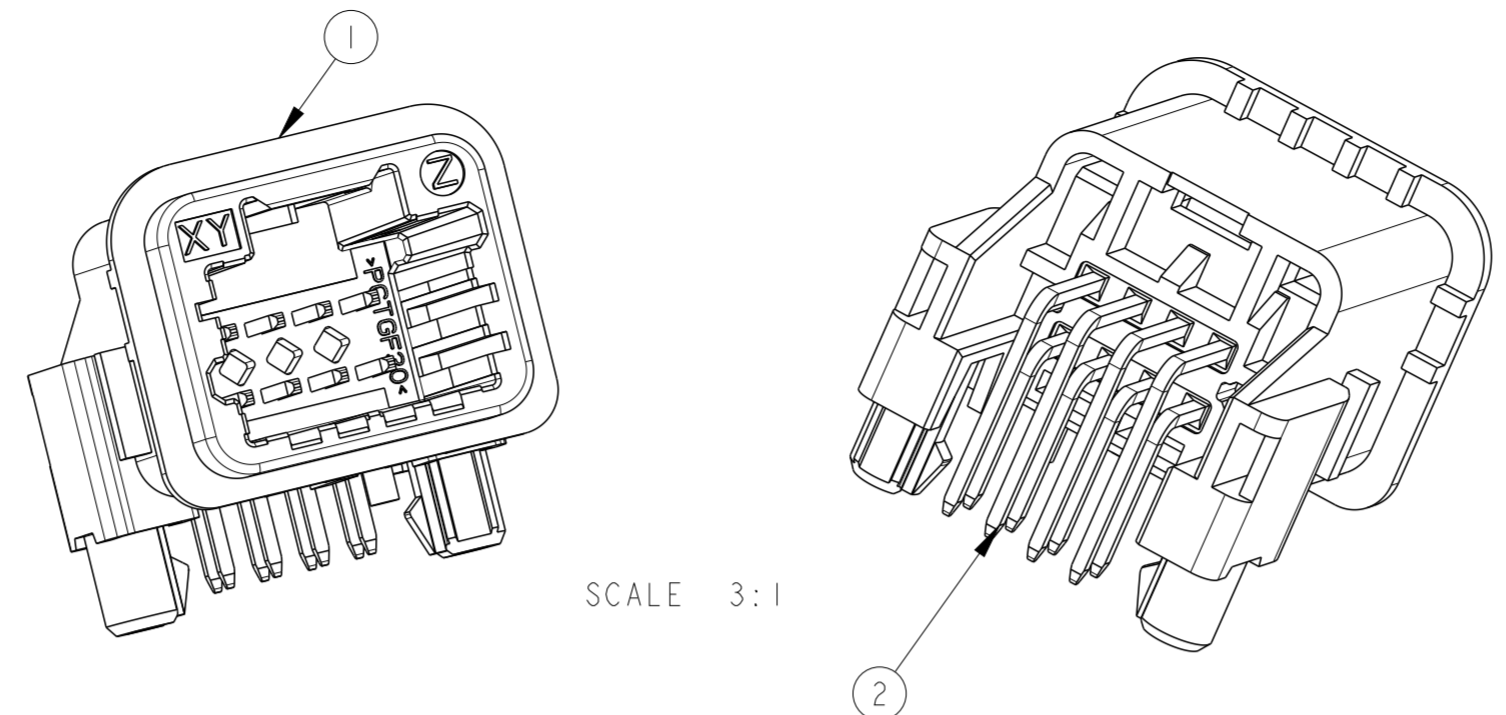
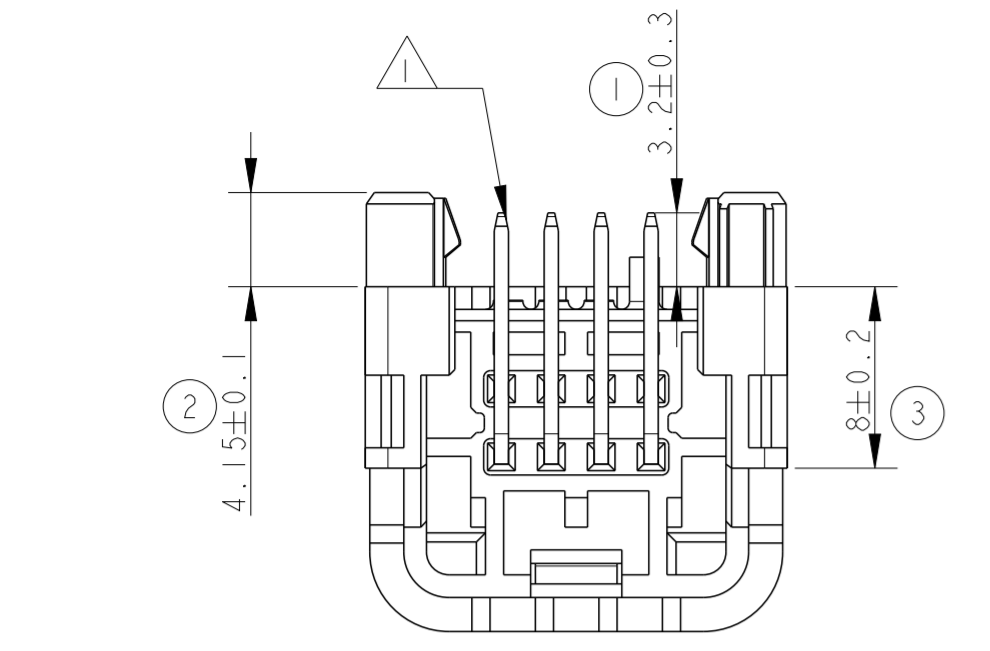
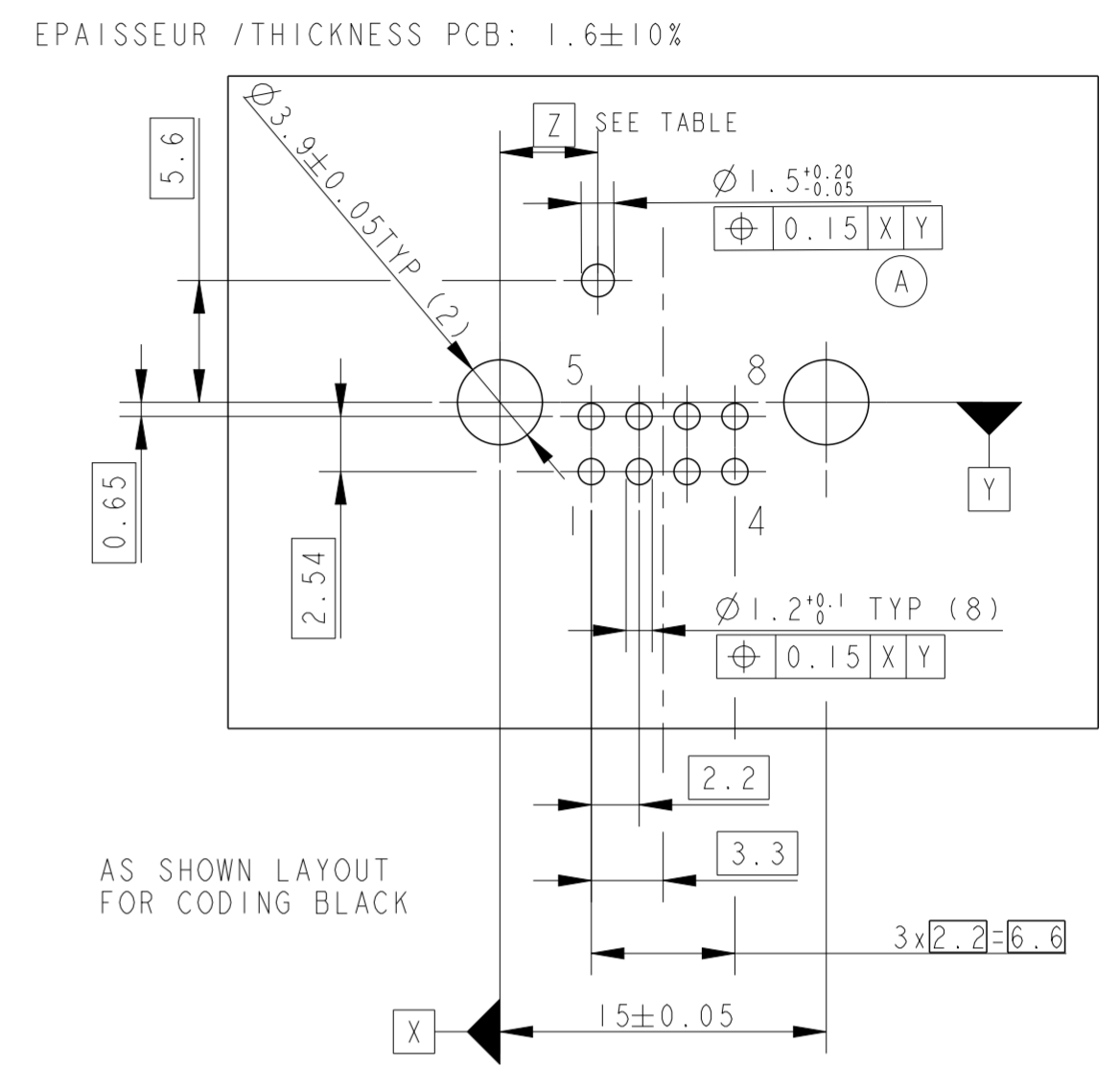
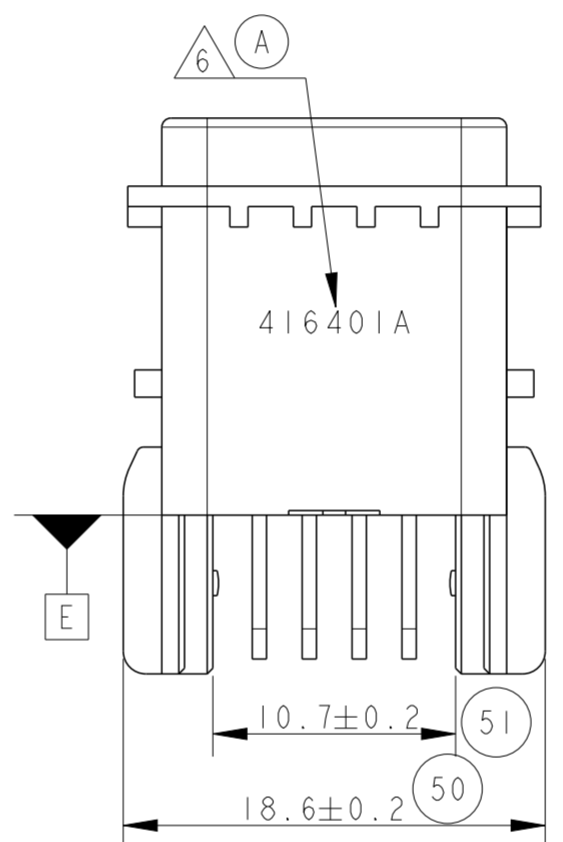
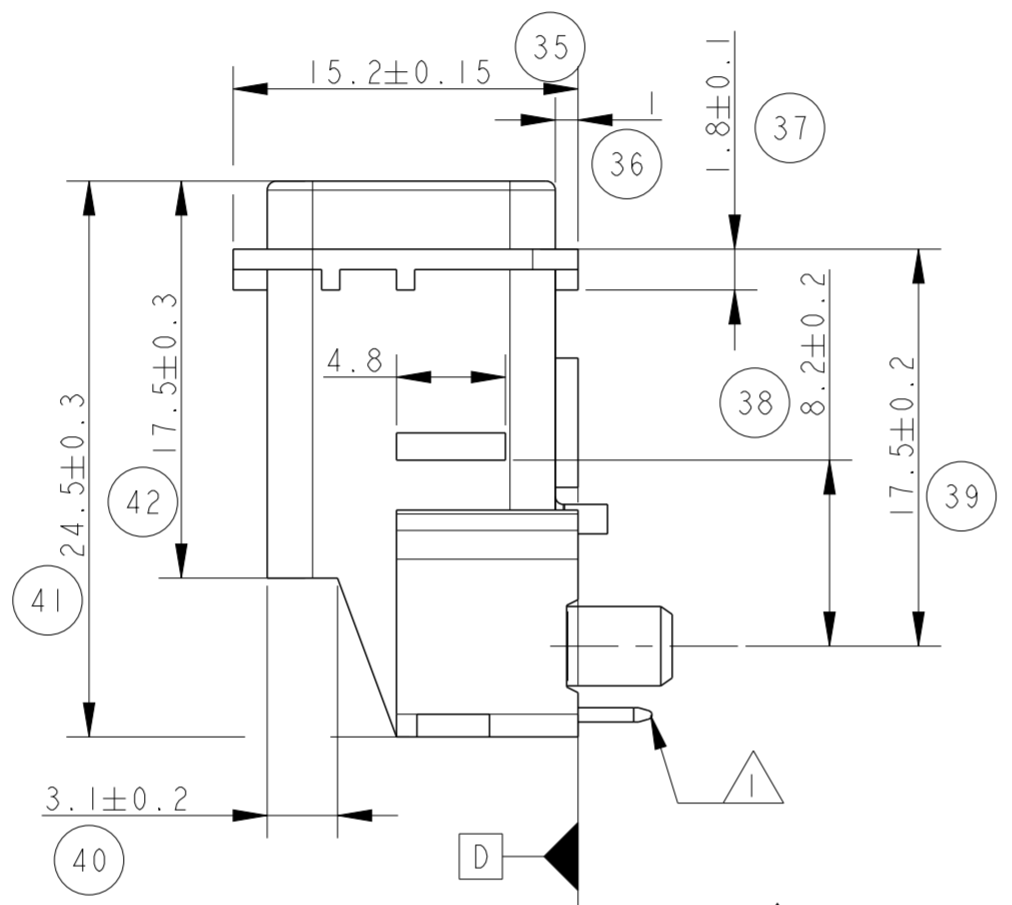
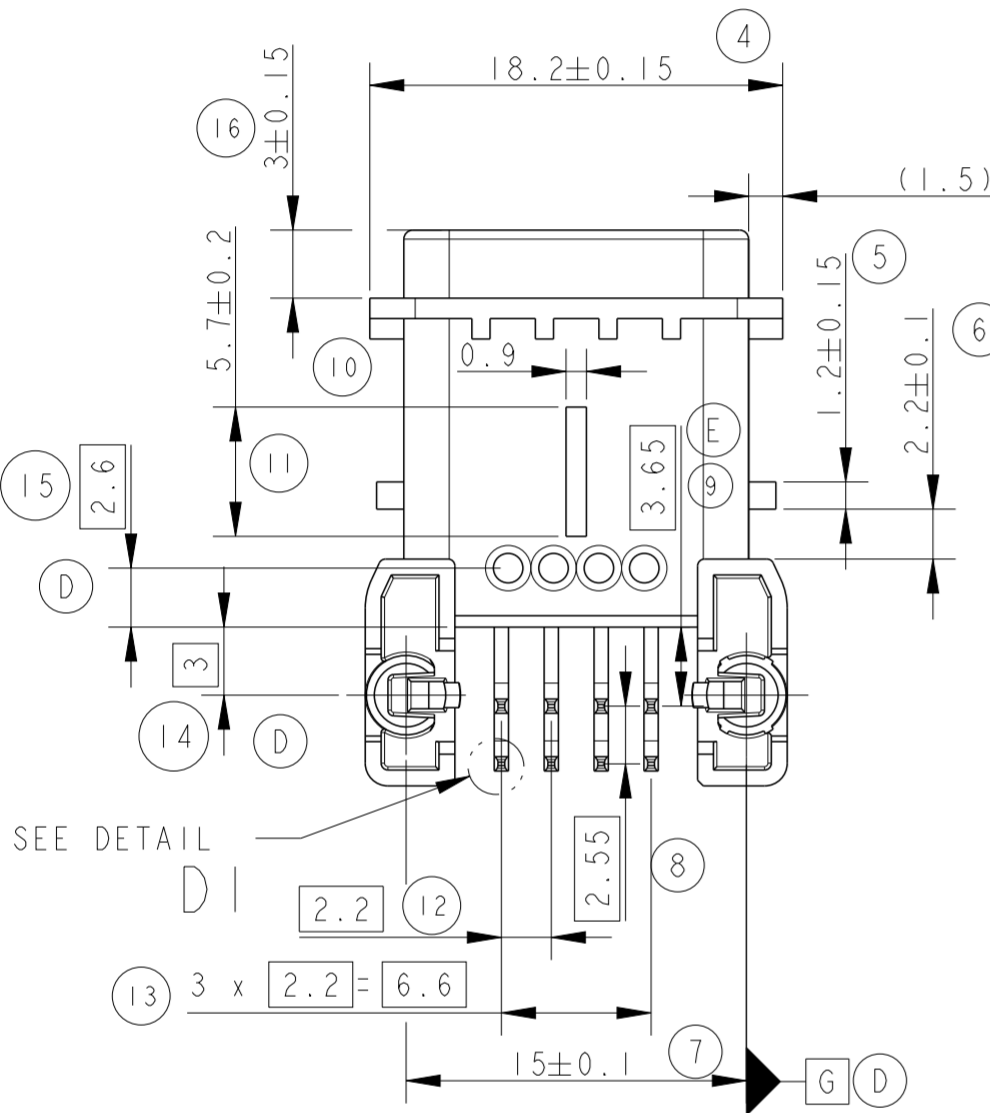


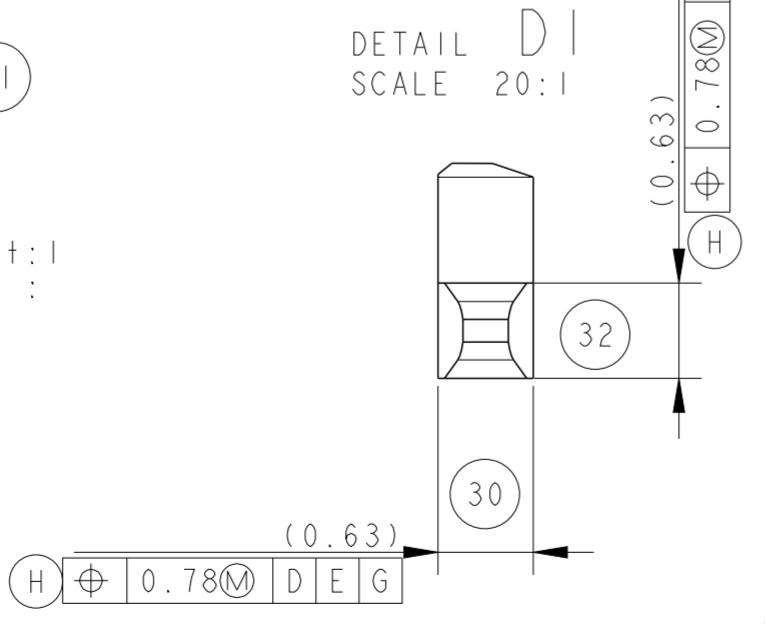
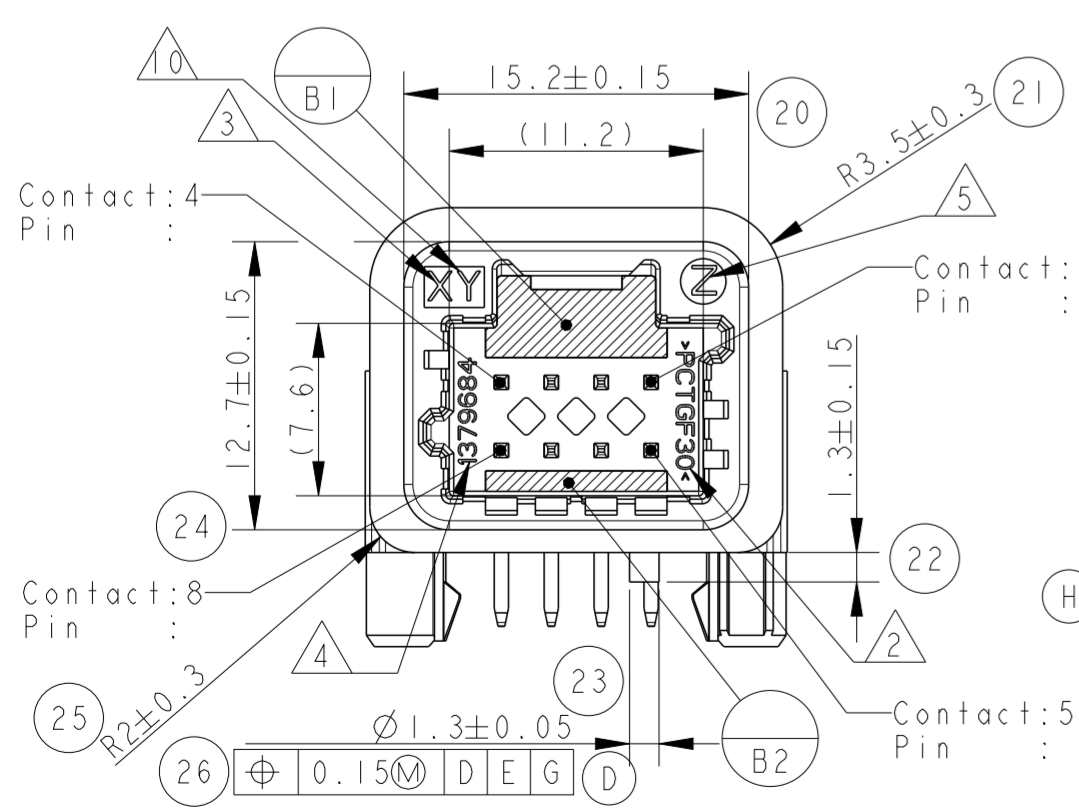
| LOC | | DIST | | REVISIONS | | | | |
|-----|-----|--|-----------|-----------|------|--|--|--|
| P | LTR | DESCRIPTION | DATE | DWN | APVD | | | |
| F | 00 | | | | | | | |
| | J | 0-1379684-7 AVAILABLE FOR ALL CUSTOMER | 29APR2013 | RC | JL | | | |



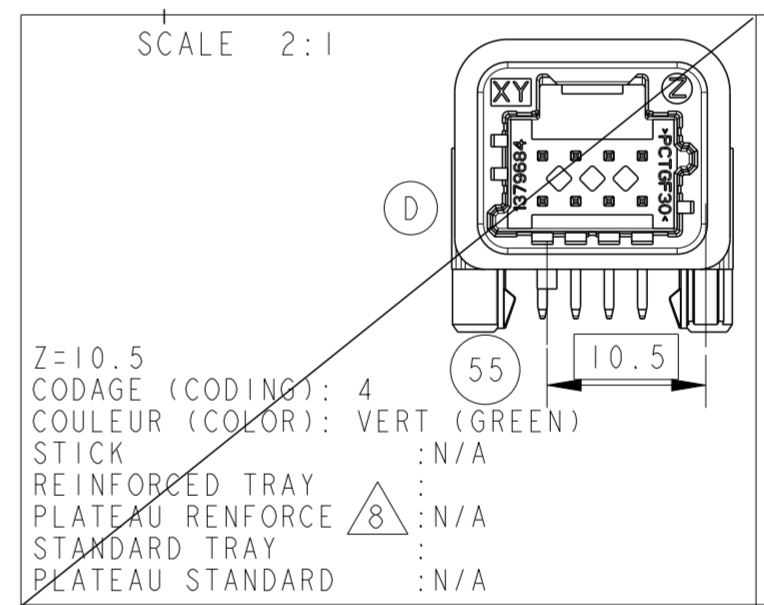
SCALE 3:1



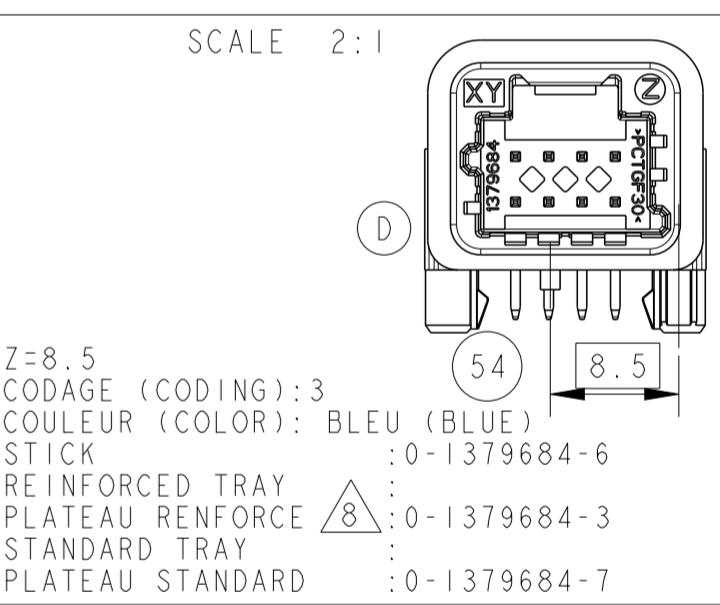
EPAISSEUR / THICKNESS PCB: 1.6±10%
 AS SHOWN LAYOUT FOR CODING BLACK



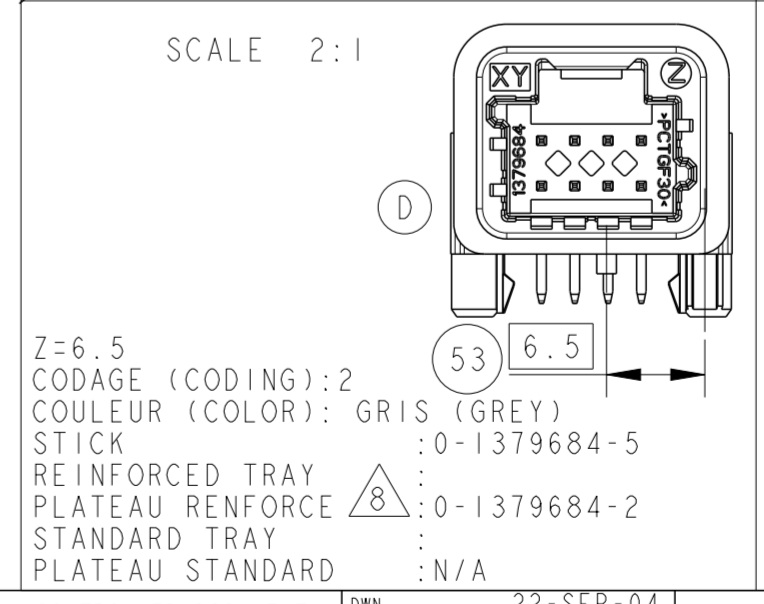
- 1 PRE ETAME : 1-3µm Sn sur 1.3-2.2µm Ni
PRE-TIN :
- 2 REFERENCE MATIERE
MATERIAL REFERENCE
- 3 NUMERO D'EMPREINTE
CAVITY NUMBER
- 4 REFERENCE TE (ASSEMBLAGE)
- 5 INDICE DE REVISION
PLASTIC PART REVISION
- 6 DATE D'ASSEMBLAGE A-SS-J-L-E-R
Année - semaine - jour - ligne - equipe - rev PRC
- J DATE CODE ASSY Y-WW-D-L-S-R
Year - Week - Day - Line - Shift - rev PRC
- 7. SOUDABILITE SUIVANT NORME FRANCAISE NF-A-89 400
SOUDABILITY ACCORDING STANDARD FRENCH
- 8 PLATEAU ESD SUIVANT NORME : IEC - 61340-5-1
R plateau 10E9Ω-10E12Ω
TRAY ESD ACCORDING TO : IEC-61340-5-1
R tray 10E9Ω-10E12Ω
- J 9. CONDITIONNEMENT SUIVANT SPEC : 107-15644 / 107-15645
PACKAGING ACCORDING SPEC :
- D 10. NUMERO DE MOULE
NUMBER OF THE MOULD



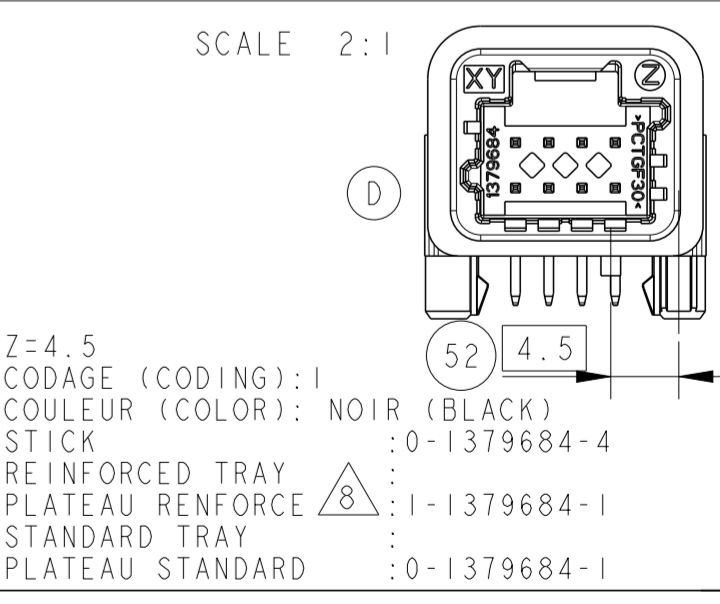
Z=10.5
 CODAGE (CODING): 4
 COULEUR (COLOR): VERT (GREEN)
 STICK : N/A
 REINFORCED TRAY : N/A
 PLATEAU RENFORCE 8 : N/A
 STANDARD TRAY : N/A
 PLATEAU STANDARD : N/A



Z=8.5
 CODAGE (CODING): 3
 COULEUR (COLOR): BLEU (BLUE)
 STICK : 0-1379684-6
 REINFORCED TRAY : 0-1379684-3
 PLATEAU RENFORCE 8 : 0-1379684-3
 STANDARD TRAY : 0-1379684-4
 PLATEAU STANDARD : 0-1379684-7



Z=6.5
 CODAGE (CODING): 2
 COULEUR (COLOR): GRIS (GREY)
 STICK : 0-1379684-5
 REINFORCED TRAY : 0-1379684-2
 PLATEAU RENFORCE 8 : 0-1379684-2
 STANDARD TRAY : 0-1379684-1
 PLATEAU STANDARD : N/A



Z=4.5
 CODAGE (CODING): 1
 COULEUR (COLOR): NOIR (BLACK)
 STICK : 0-1379684-4
 REINFORCED TRAY : 0-1379684-1
 PLATEAU RENFORCE 8 : 1-1379684-1
 STANDARD TRAY : 0-1379684-1
 PLATEAU STANDARD : 0-1379684-1

EN ACCORD AVEC LA SPEC D'INTERFACE:
 REN 8200 311 959 SAUF AUTRE SPECIFICATION
 ACCORDING TO INTERFACE
 REN 8200 311 959 EXCEPTED OTHER SPECIFICATION

| N° | QTE | DESCRIPTION | MATIERE MATERIAL | FINITION FINISH |
|----|-----|------------------------------------|------------------|----------------------|
| 2 | 8 | BROCHE TH PIN TH | CuSn6 | PRE ETAME PRE TIN |
| 1 | 1 | BOITIER 8V 025 HOUSING 8POS 025 | PCTGF30 | - |

THIS DRAWING IS A CONTROLLED DOCUMENT.

| | | | | | |
|------------------|--|--------------------------|---------------------------|---------------------------|---------|
| DIMENSIONS: mm | TOLERANCES UNLESS OTHERWISE SPECIFIED: ±0.30 | DWN R. CHARLES 22-SEP-04 | CHK D. REIFEL 22-SEP-04 | APVD J. LALANGE 01-OCT-04 | NAME |
| MATERIAL | FINISH | PRODUCT SPEC 108-15383 | APPLICATION SPEC | WEIGHT 3.3g | SIZE A2 |
| CUSTOMER DRAWING | | | TE Connectivity | | |
| | | | EMBASE 8 VOIES 025 COUDEE | | |
| | | | 025 8W RIGHT ANGLE HEADER | | |
| | | | SCALE 3:1 | SHEET 1 OF 1 | REV J |

单击下面可查看定价，库存，交付和生命周期等信息

[>>TE Connectivity\(泰科\)](#)