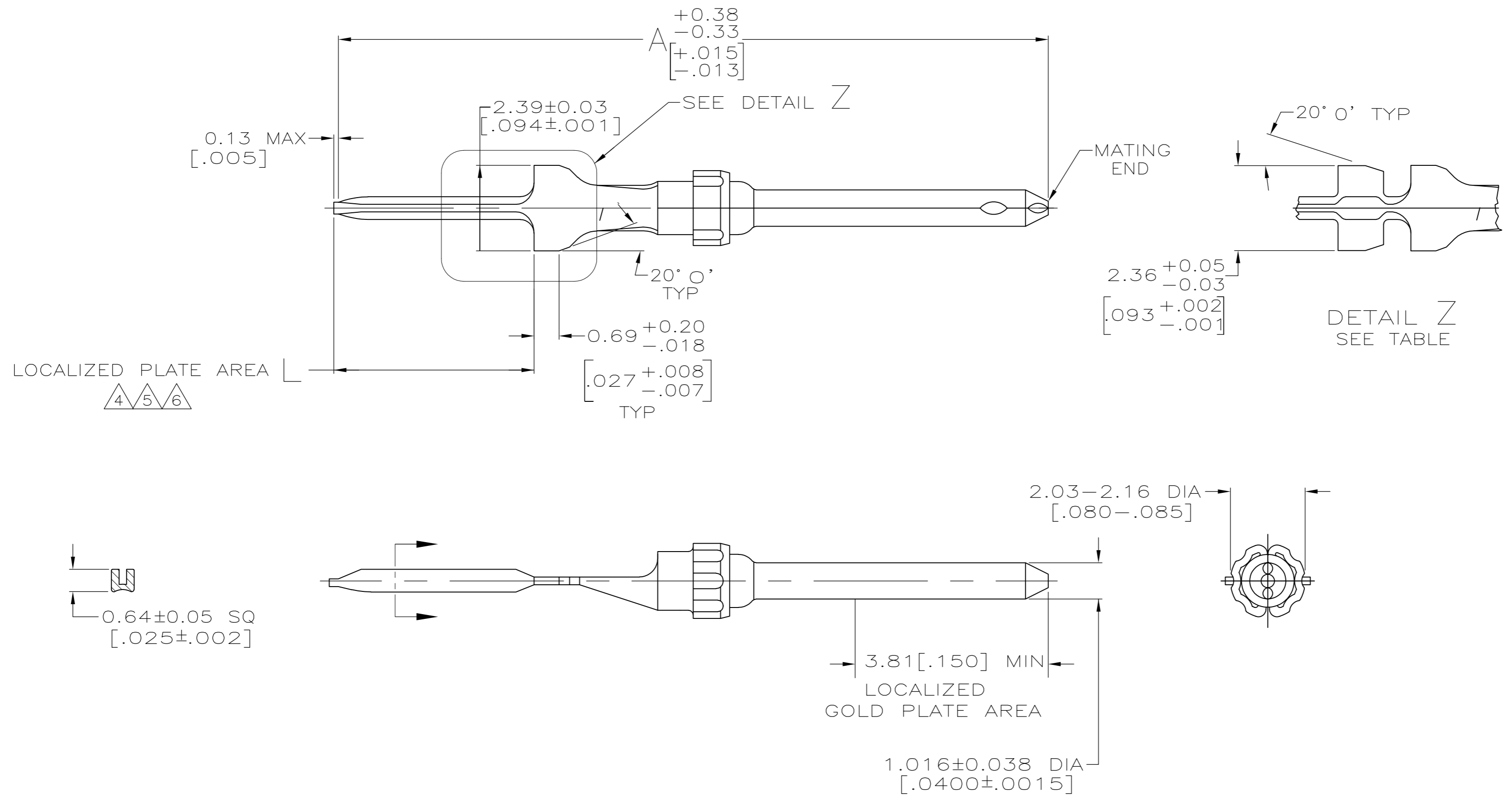


THIS DRAWING IS UNPUBLISHED. RELEASED FOR PUBLICATION
 © COPYRIGHT - By - ALL RIGHTS RESERVED.

LOC		DIST		REVISIONS					
GP		00		P	LTR	DESCRIPTION	DATE	DWN	APVD
				L1		REVISED PER ECO-11-004835	11MAR11	RK	HMR



- FOR MATING CONTACT SEE DRAWING 745288.
- TO BE USED FOR REPLACEMENT ONLY.
- GOLD PLATED FOR LENGTH OF 3.81 [.150] MIN FROM MATING END, GOLD FLASH IN MATED AREA. 2.54µm [.000100] MIN TIN-LEAD ON AREA L, ALL OVER 1.27µm [.000050] MIN NICKEL.
- GOLD PLATED FOR LENGTH OF 3.81 [.150] MIN FROM MATING END, 0.76µm [.000030] MIN GOLD IN MATED AREA. 2.54µm [.000100] MIN TIN-LEAD ON AREA L, ALL OVER 1.27µm [.000050] MIN NICKEL.
- GOLD PLATED FOR LENGTH OF 3.81 [.150] MIN FROM MATING END, GOLD FLASH IN MATED AREA AND AREA L, ALL OVER 1.27µm [.000050] MIN NICKEL. GOLD PLATING ON EDGE CARRIER NOT REQUIRED.
- GOLD PLATED IN LOCALIZED GOLD PLATE AREA AS FOLLOWS:
 0.76µm [.000030] MIN GOLD IN MATED AREA 2.54µm [.000100] MIN TIN ON AREA L, ALL OVER 1.27µm [.000050] MIN NICKEL UNDERPLATE.
 OR
 GOLD FLASH OVER PALLADIUM-NICKEL PLATE, 0.76µm [.000030] MIN TOTAL IN MATED AREA, 2.54µm [.000100] MIN TIN ON AREA L, ALL OVER 1.27µm [.000050] MIN NICKEL UNDERPLATE.

	AS SHOWN	21.67 [.853]	6	5-745287-4
	PER DETAIL Z	33.07 [1.302]	6	5-745287-0
	PER DETAIL Z	27.43 [1.080]	6	4-745287-7
OBSELETE	AS SHOWN	19.81 [.780]	5	4-745287-2
OBSELETE	AS SHOWN	21.67 [.853]	4	2-745287-0
SUPERSEDED BY 2-745287-0				
	AS SHOWN	21.67 [.853]	3	1-745287-8
OBSELETE	PER DETAIL Z	33.07 [1.302]	4	1-745287-2
OBSELETE	PER DETAIL Z	33.07 [1.302]	3	1-745287-0
OBSELETE	PER DETAIL Z	27.43 [1.080]	4	745287-8
OBSELETE	PER DETAIL Z	27.43 [1.080]	3	745287-6
OBSELETE	AS SHOWN	19.81 [.780]	4	745287-4
OBSELETE	AS SHOWN	19.81 [.780]	3	745287-2
	RETENTION TINES	A	FINISH	PART NO

THIS DRAWING IS A CONTROLLED DOCUMENT.

DWN	R.SHIREY	01/29/91
CHK	J.McCLINTON	2-6-91
APVD	-	-
PRODUCT SPEC	-	
APPLICATION SPEC	-	
MATERIAL	BRASS PER MIL-C-50	FINISH
SEE TABLE		WEIGHT
-		SCALE
CUSTOMER DRAWING		10:1

TE Connectivity
 PIN CONTACT, SIZE 20 DF, AMPLIMITE™

SIZE	A2	CAGE CODE	00779	DRAWING NO	C=745287	RESTRICTED TO	-
SCALE	10:1	SHEET	1 of 1	REV	L1		

单击下面可查看定价，库存，交付和生命周期等信息

[>>TE Connectivity\(泰科\)](#)