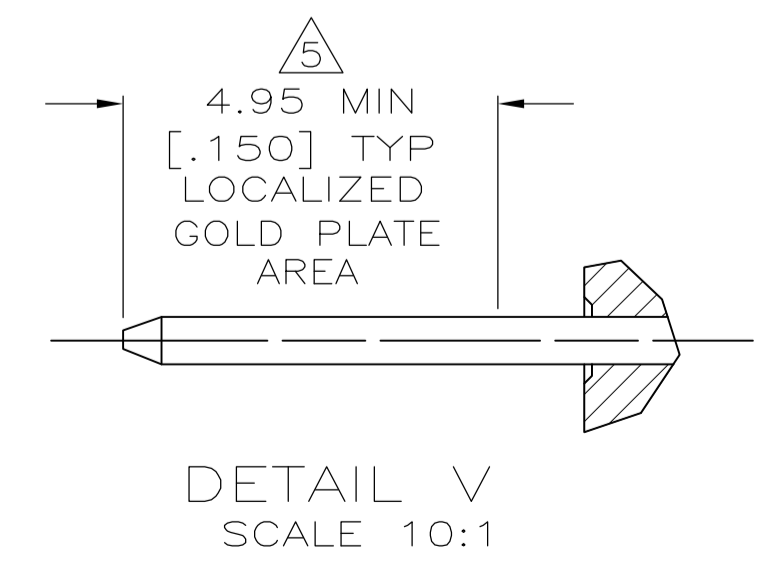


- ⚠ DOUBLE BAR POLARIZATION.
- ⚠ DIMENSION APPLIES AT THE INTERSECTION OF THE POST AND HOUSING.
- ⚠ CENTER POLARIZATION SLOT.
- ⚠ HOUSING: GLASS FILLED NYLON OR PBT, BLACK, UL 94V-0 RATED. POSTS: BRASS.
- ⚠ POSTS: GOLD FLASH ON LOCALIZED GOLD PLATE AREA, 2.54 μm [.000100] MIN TIN-LEAD ON SOLDER TAIL, ALL OVER 1.27 μm [.000050] MIN NICKEL.
- ⚠ DATUMS Y AND Z APPLY IN ZONE I.
- ⚠ NUMBER 1 POSITION INDICATOR.
- ⚠ OPTIONAL AMP IDENTIFICATION NUMBER (DATE CODE). LOCATION APPROXIMATELY WHERE SHOWN.



1 1	NONE	40	111715-8
ROW T	ROW S	NO OF POSN	PART NUMBER
POST OMITTED			

THIS DRAWING IS A CONTROLLED DOCUMENT.		DIN M. MORRIS 20JUL98	Tyco Electronics Corporation Harrisburg, PA 17105-3608	
DIMENSIONS: mm [INCHES]		CHK K. FULLER 20JUL98	NAME Tyco Electronics	
TOLERANCES UNLESS OTHERWISE SPECIFIED:		APVD K. FULLER 20JUL98	PRODUCT SPEC 108-40018	
0 PLC ± -	1 PLC ± -	APPLICATION SPEC		
2 PLC ± ± 0.13 [.005]	3 PLC ± ± -	SIZE A1	CAGE CODE 00779	DRAWING NO 111715
4 PLC ± ± -	ANGLES ± ± -	WEIGHT -	SCALE 4:1	SHEET 1 of 1
MATERIAL ⚠	FINISH ⚠	CUSTOMER DRAWING		

单击下面可查看定价，库存，交付和生命周期等信息

[>>TE Connectivity\(泰科\)](#)