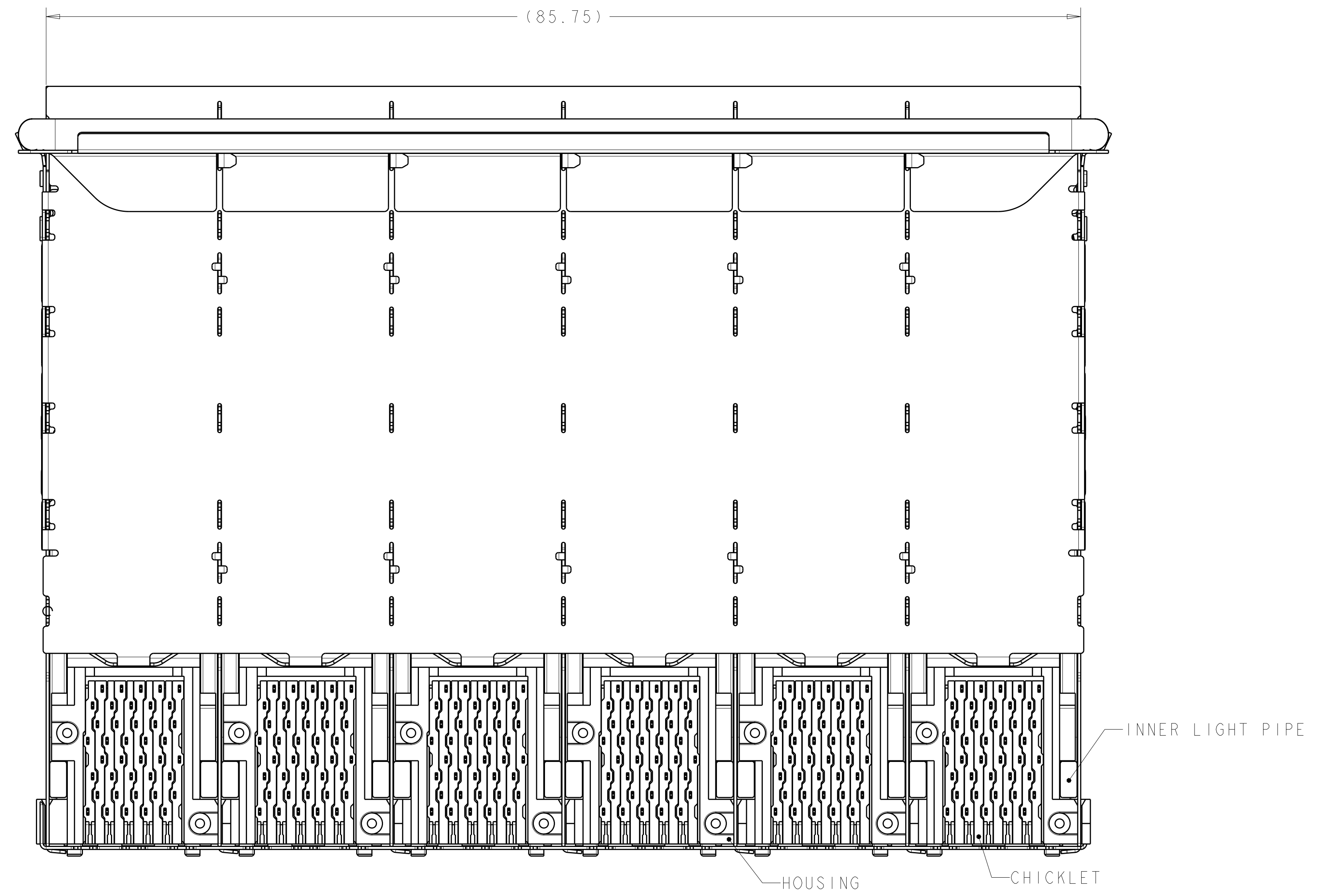
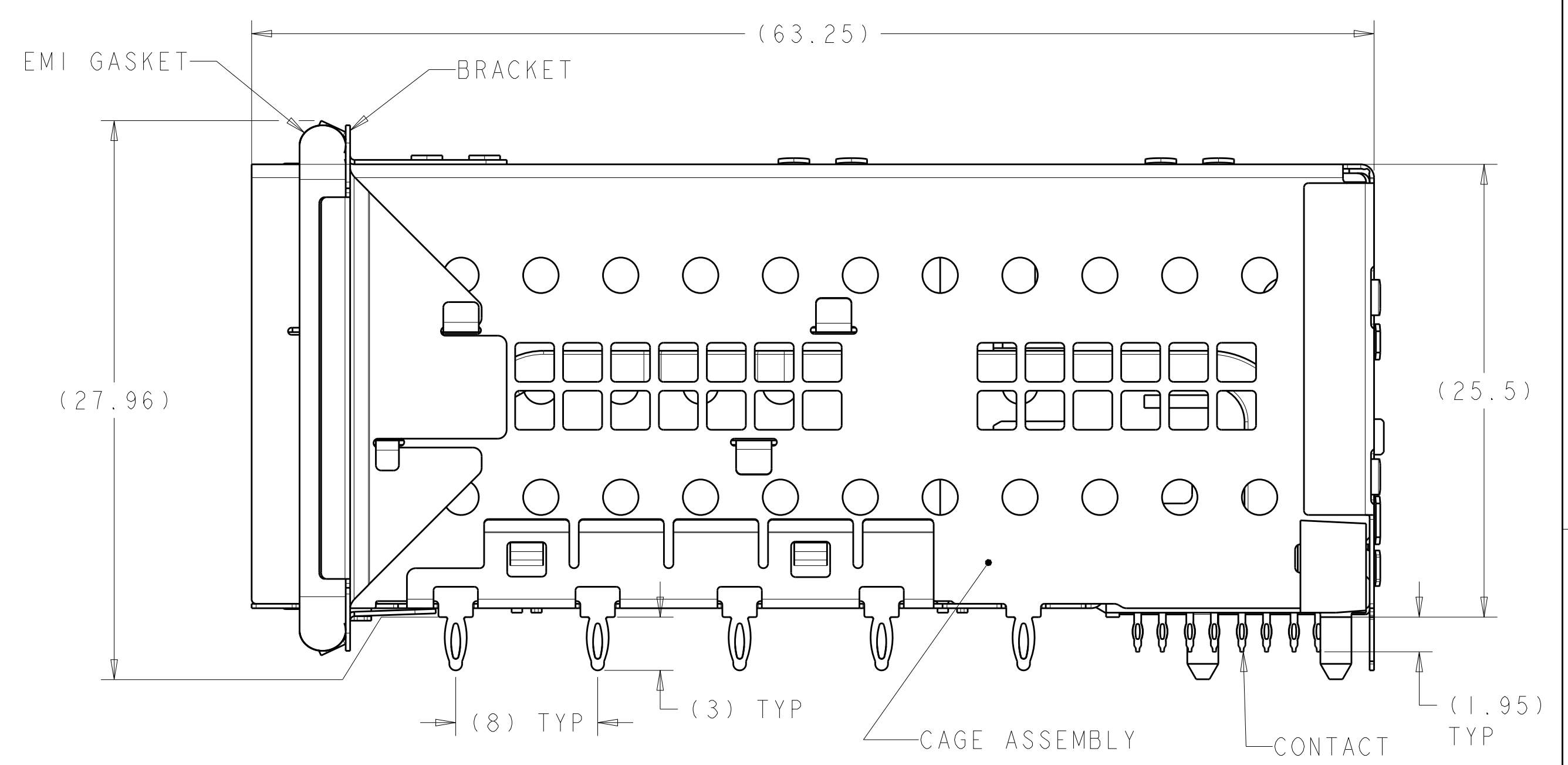
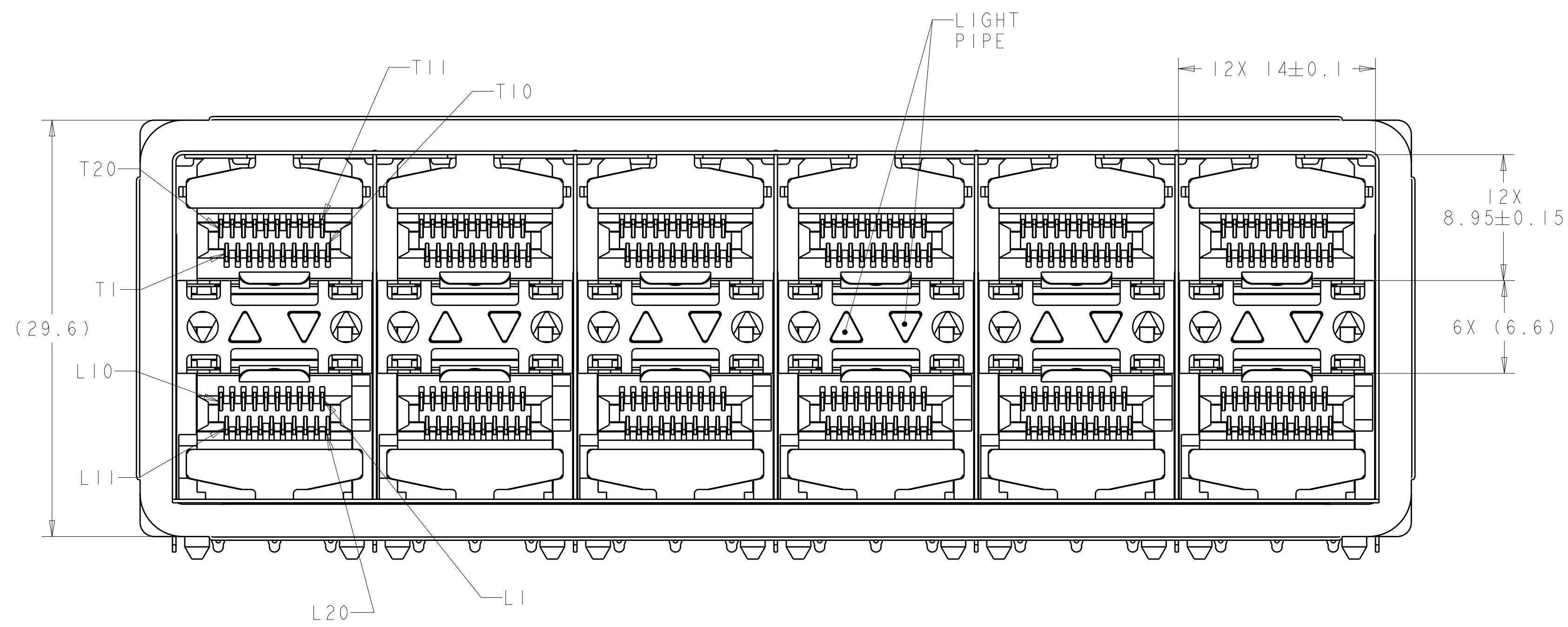


LOC		DIST		REVISIONS			
GP	00	P	LTN	DESCRIPTION	DATE	OWN	APVD
		A		REVISED PER ECO-15-017922	31MAR2016	AP	RP

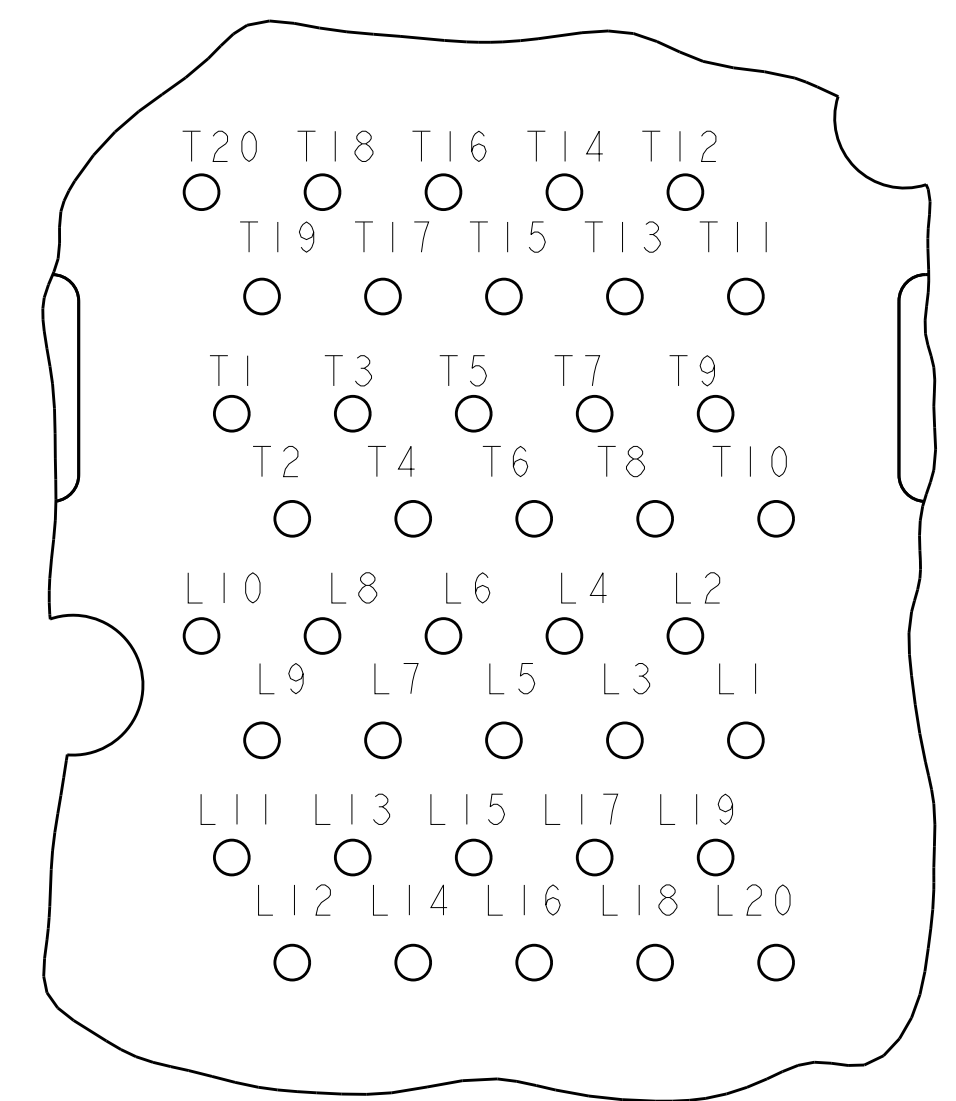
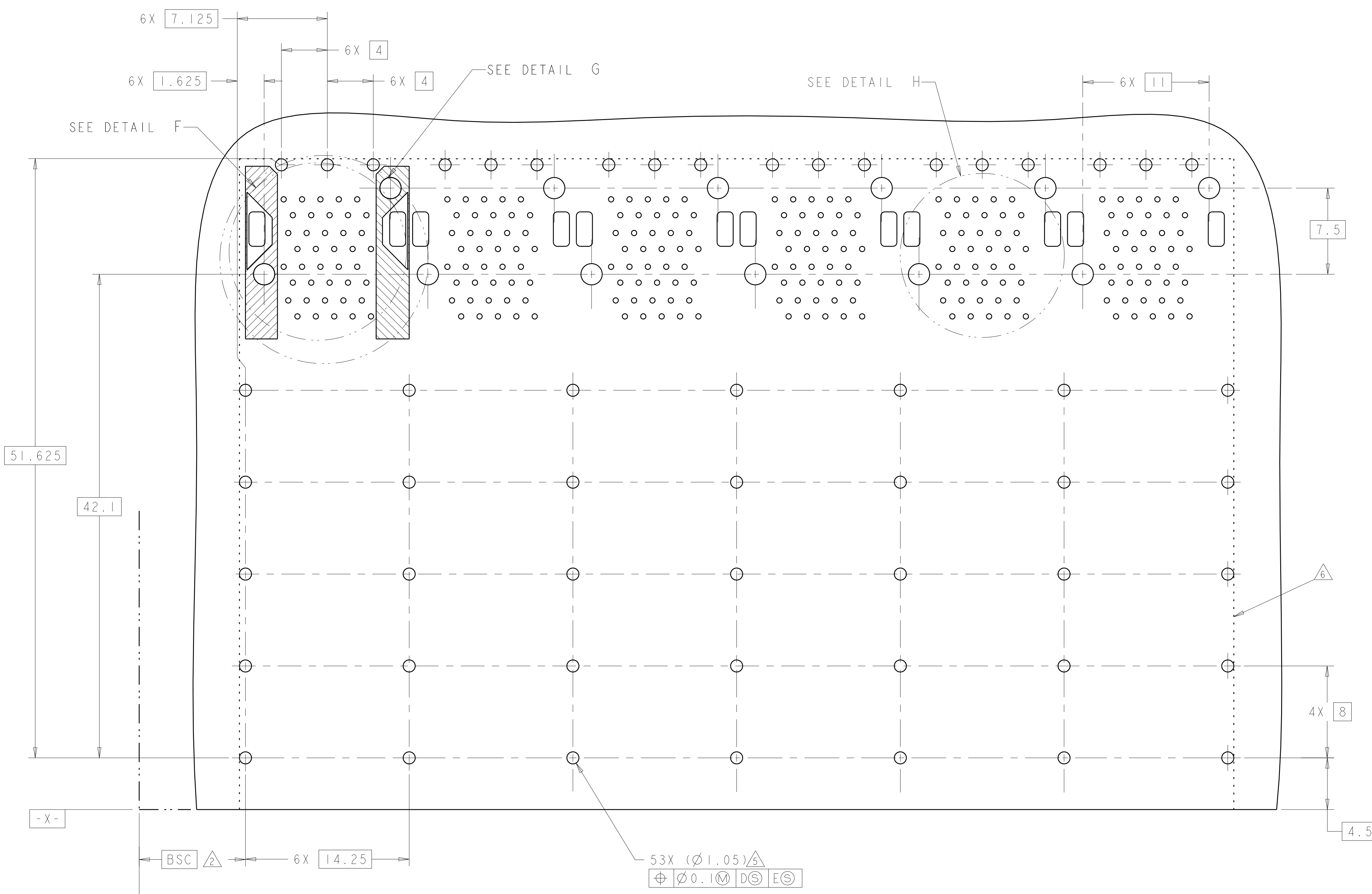


- 1 MATERIALS:
 CAGE ASSEMBLY- NICKEL SILVER ALLOY PER ASTM B 122.
 BRACKET- STAINLESS STEEL.
 EMI GASKET- PLATED FILLED SILICONE.
 HOUSING- BLACK LCP, UL 94V-0 RATED.
 CHICKLET- BLACK LCP, UL 94V-0 RATED.
 LIGHT PIPE- POLYCARBONATE, CLEAR.
 INSERT - LCP, BLACK, UL 94V-0.
 CONTACT- COPPER ALLOY.
- 2 DATUM AND BASIC DIMENSIONS ESTABLISHED BY CUSTOMER.
- 3. MINIMUM PCB THICKNESS OF 1.5.
- 4 CONTACT MATING AREA: SURFACE TREATMENT OVER 0.76µm MIN GOLD OVER 1.27µm MIN NICKEL. CONFORMS TO THE REQUIREMENTS OF PRODUCT SPECIFICATION 108-2331, BASED ON EIA/ECA-364-1000.01A (CONTROLLED ENVIRONMENT APPLICATIONS).
 NEEDLE EYE: 1.25 µm MIN TIN OVER 1.27 µm MIN NICKEL.
 REMAINDER OF CONTACT: 0.76µm MIN NICKEL.
- 5 FOR HOLE SIZE AND PLATINGS, SEE APPLICATION SPEC 114-13219.
- 6 THE ENTIRE AREA OF THE CONNECTOR FOOTPRINT, INDICATED BY THE DASHED LINE, TO BE CONSIDERED THE KEEPOUT AREA FOR COMPONENTS AND SIGNAL TRACES, TOP SIDE ONLY. TOP SIDE TRACES ALLOWED WITHIN CONNECTOR HOLE PATTERN.
- 7 LIGHT PIPE PAD LAYOUT IS FOR 0805 LOW PROFILE LED PACKAGE WITH A HEIGHT OF 0.8mm.

2180640-1
PART NUMBER

THIS DRAWING IS A CONTROLLED DOCUMENT.		OWN B. MATTHEWS	20CT2011	TE Connectivity NAME CAGE AND PT CONNECTOR ASSEMBLY, WITH EMI GASKET, PRESS FIT, 2X6, STACKED SFP+
DIMENSIONS:		CHK M. SCHMITT	12OCT2011	
TOLERANCES UNLESS OTHERWISE SPECIFIED:		APVD M. SCHMITT	12OCT2011	PRODUCT SPEC
mm		108-2331		APPLICATION SPEC
0 PLC ±0.10		114-13219		SIZE
1 PLC ±0.10		WEIGHT		RESTRICTED TO
2 PLC ±0.10		A100779C=2180640		SCALE 4:1 SHEET 1 OF 3 REV A
3 PLC ±0.10		CUSTOMER DRAWING		
4 PLC ±0.10				
ANGLES ±°				
FINISH				

LOC	DIST	REVISIONS			
P.	LTH	DESCRIPTION	DATE	DMN	APVD
-	-	SEE SHEET 1	-	-	-

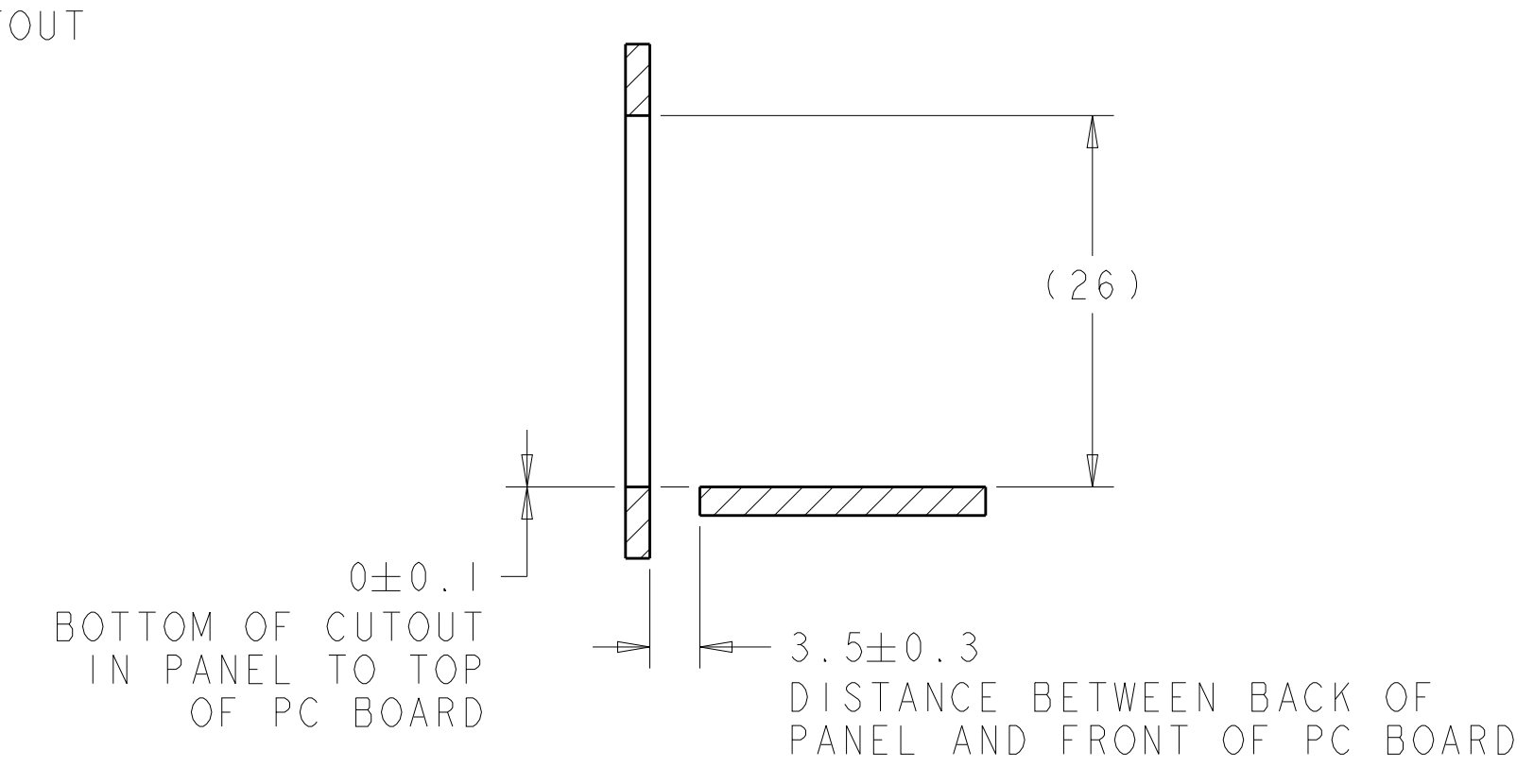
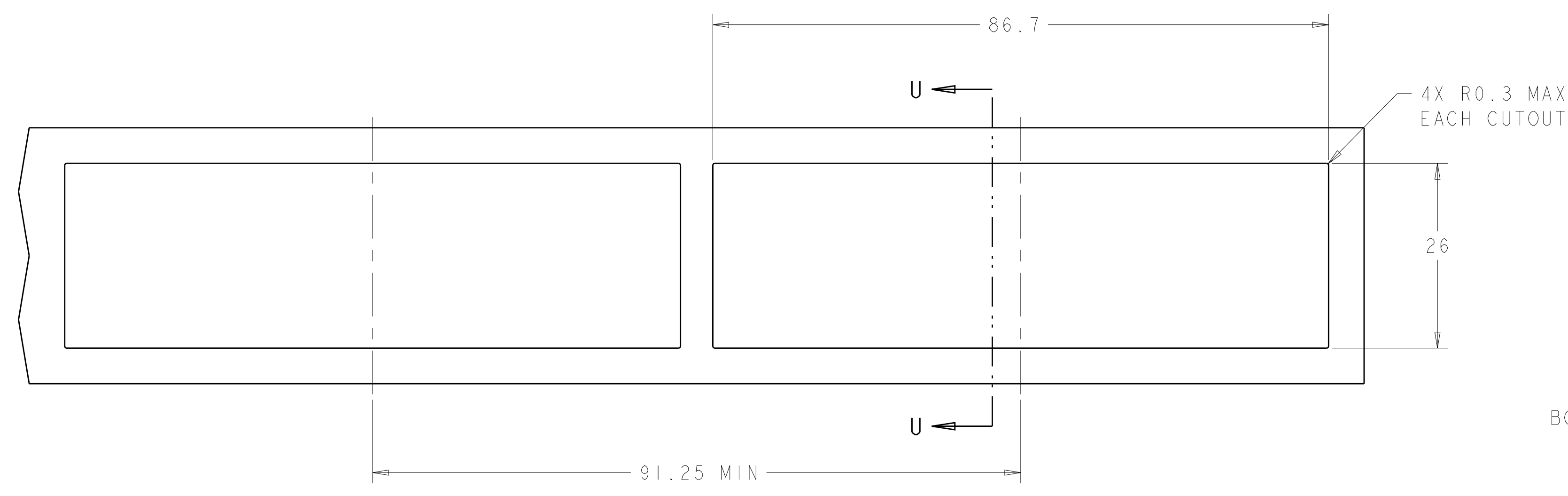
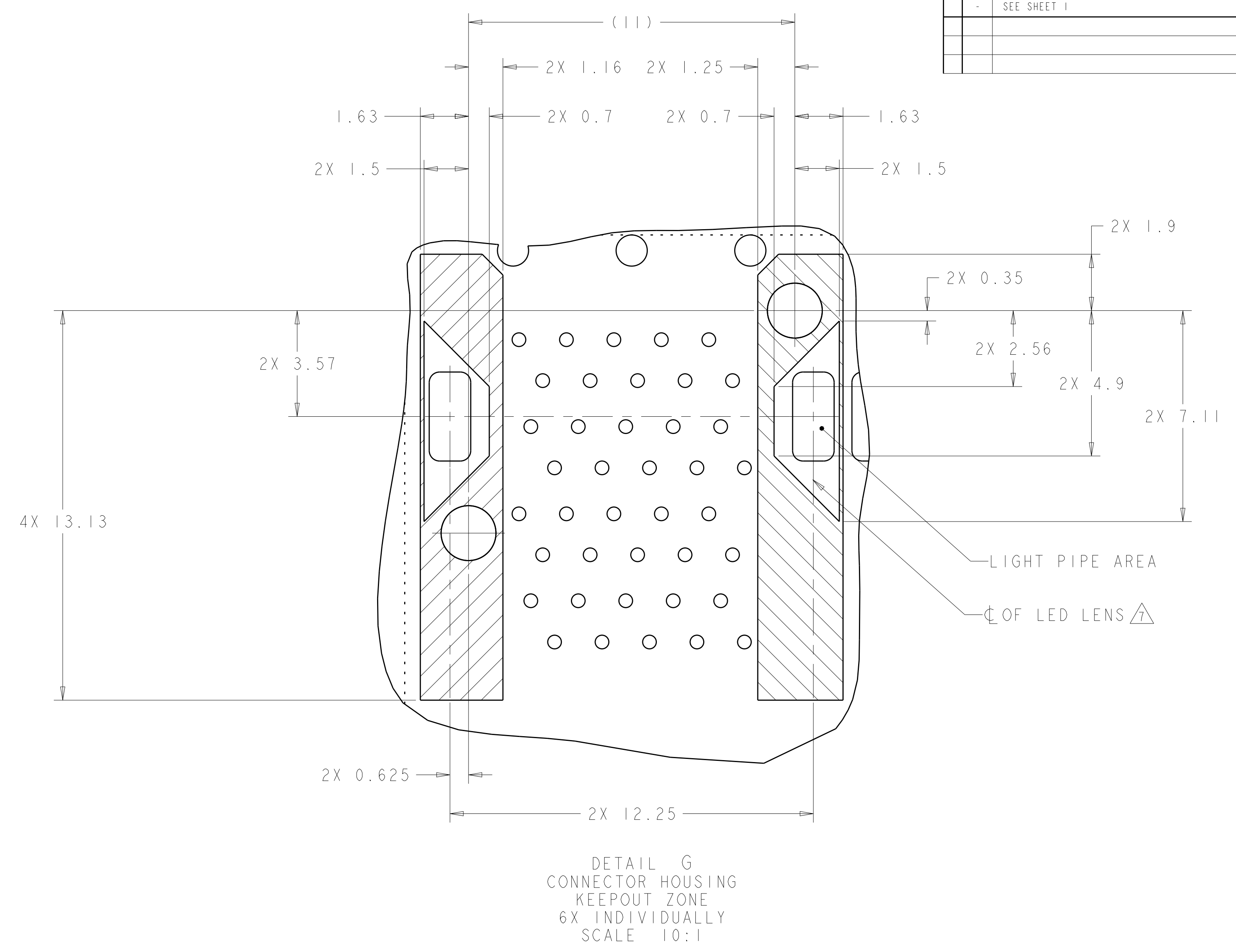
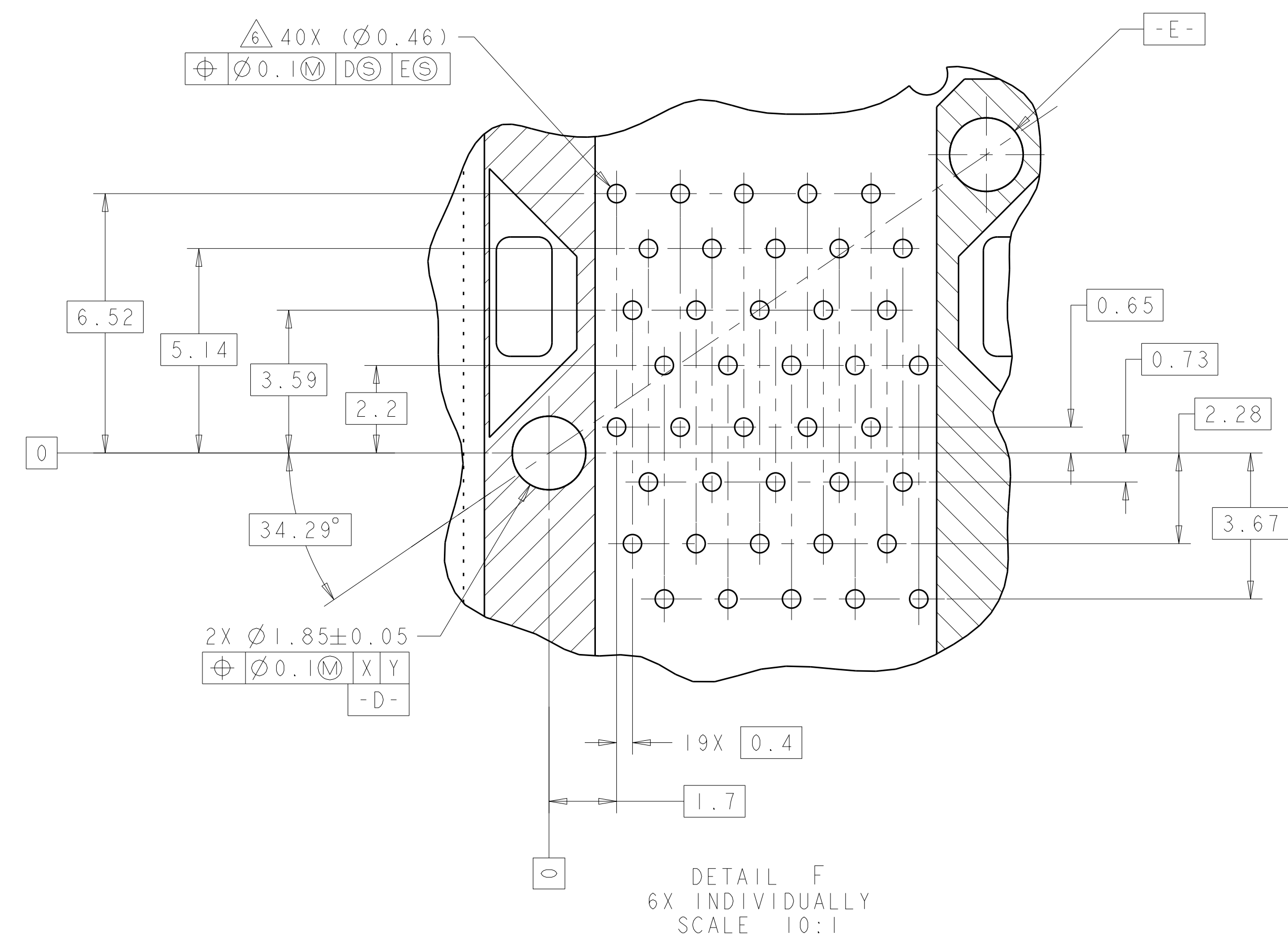


DETAIL H
CONNECTOR PIN-OUT
COMPONENT SIDE OF BOARD
6X INDIVIDUALLY
SCALE 10:1

RECOMMENDED PCB LAYOUT
COMPONENT SIDE OF BOARD
SCALE 5:1

THIS DRAWING IS A CONTROLLED DOCUMENT.		DMN: B. MATTHEWS (20CT2011)	TE Connectivity
DIMENSIONS: mm		CHK: M. SCHMITT (20CT2011)	
TOLERANCES UNLESS OTHERWISE SPECIFIED:		APVD: M. SCHMITT (20CT2011)	NAME: CAGE AND PT CONNECTOR ASSEMBLY, WITH EMI GASKET, PRESS FIT, 2X6, STACKED SFP+
0 PLC ±0.10	1 PLC ±0.10	PRODUCT SPEC: 108-2331	SIZE: A100779C=2180640
2 PLC ±0.10	3 PLC ±0.10	APPLICATION SPEC: 114-13219	RESTRICTED TO: -
4 PLC ±0.10	ANGLES ±°	WEIGHT: -	SCALE: 4:1 SHEET 2 OF 3 REV A
MATERIAL: -	FINISH: -	CUSTOMER DRAWING	

LOC	DIST	REVISIONS			
P	LTN	DESCRIPTION	DATE	DMN	APVD
-	-	SEE SHEET 1	-	-	-



THIS DRAWING IS A CONTROLLED DOCUMENT.		DMN: B. MATTHEWS (20CT2011)	TE Connectivity
DIMENSIONS: mm		CHK: M. SCHMITT (20CT2011)	
TOLERANCES UNLESS OTHERWISE SPECIFIED:		APVD: M. SCHMITT (20CT2011)	NAME: CAGE AND PT CONNECTOR ASSEMBLY, WITH EMI GASKET, PRESS FIT, 2X6, STACKED SFP+
0 PLC	±0.10	PRODUCT SPEC	108-2331
1 PLC	±0.10	APPLICATION SPEC	114-13219
2 PLC	±0.10	SIZE	A100779
3 PLC	±0.10	WEIGHT	C=2180640
4 PLC	±0.10	CUSTOMER DRAWING	SCALE 4:1 SHEET 3 OF 3 REV A
ANGLES	±°		

单击下面可查看定价，库存，交付和生命周期等信息

[>>TE Connectivity\(泰科\)](#)