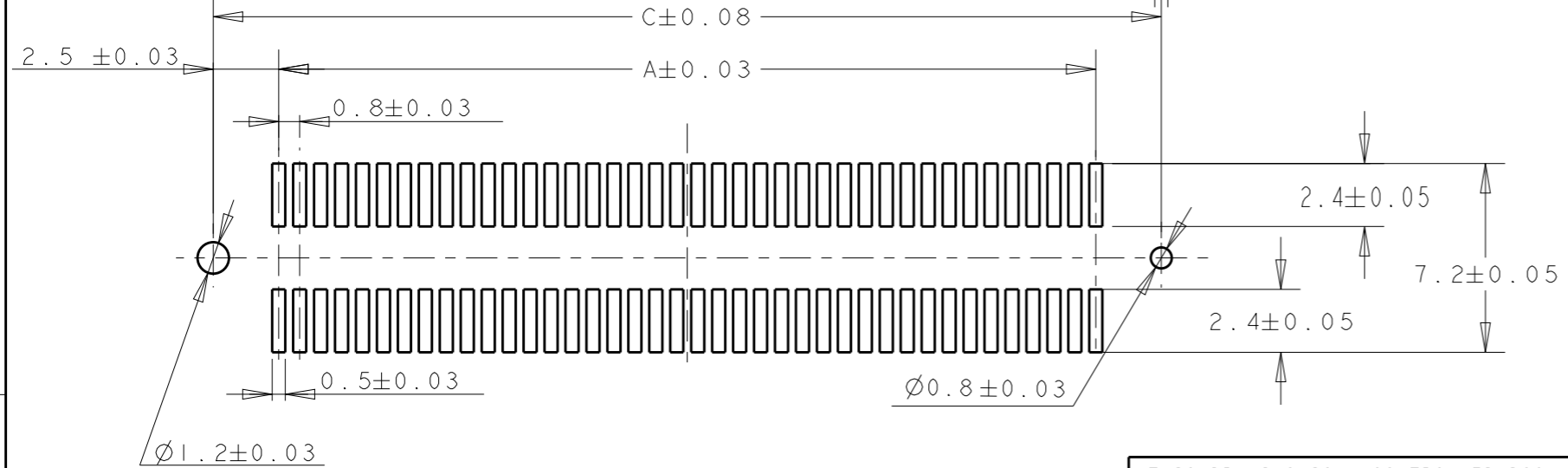
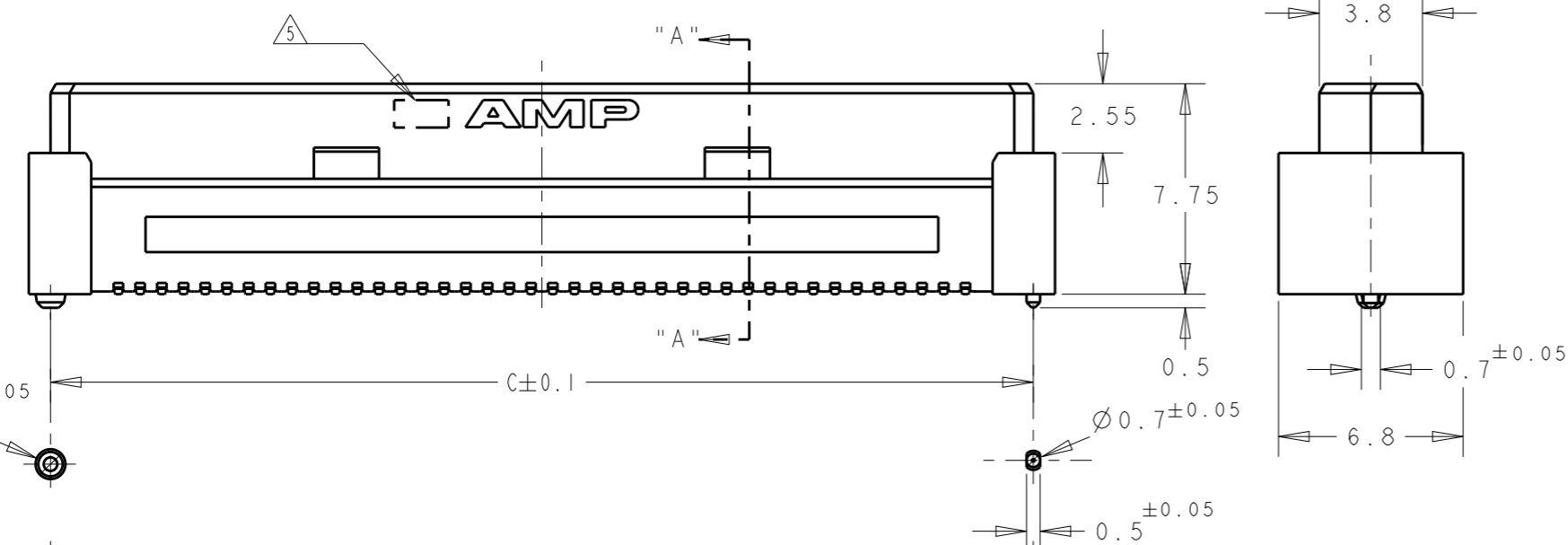
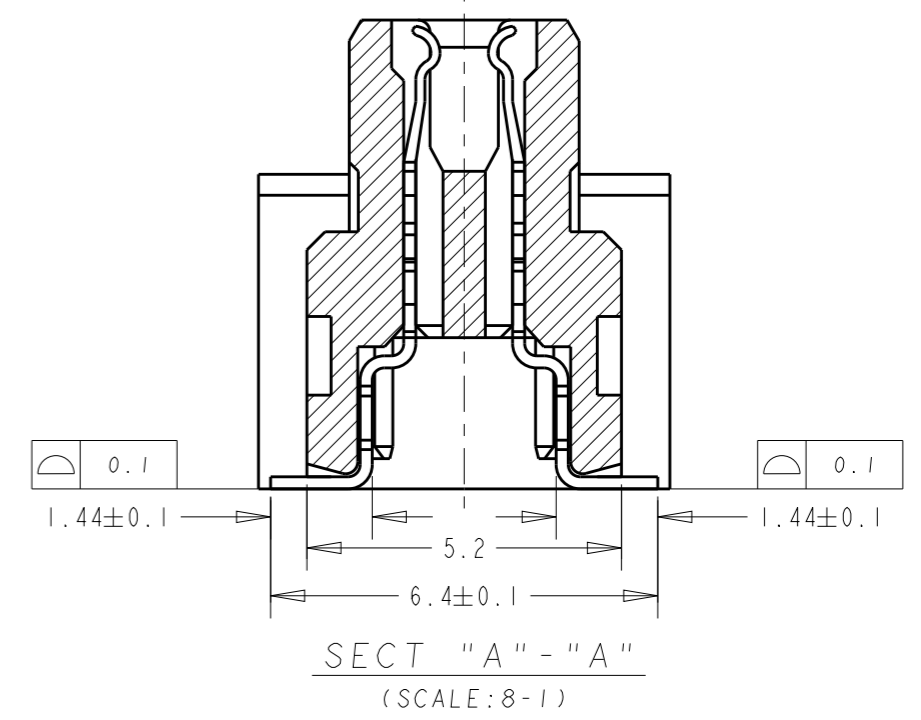
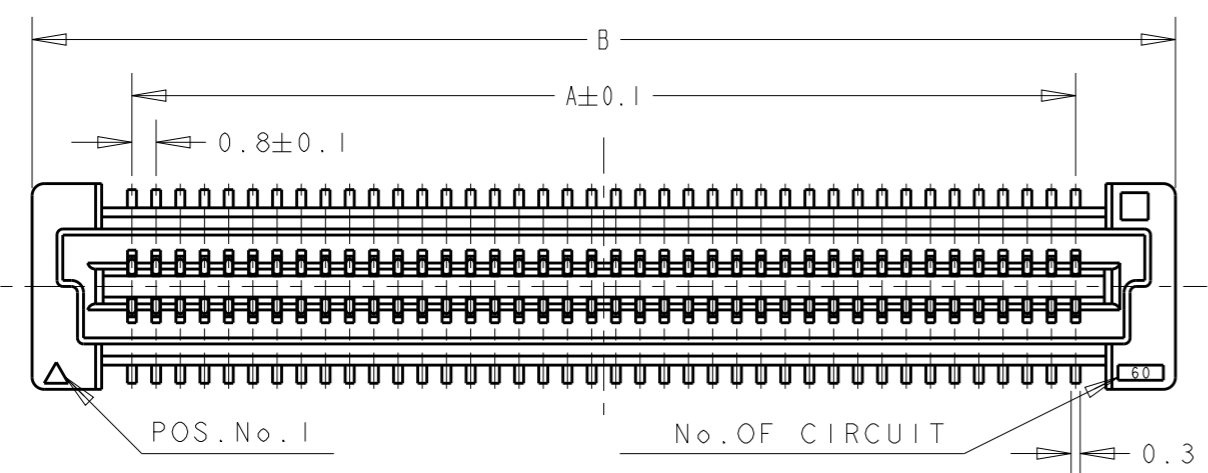


THIS DRAWING IS UNPUBLISHED. RELEASED FOR PUBLICATION 20  
 © COPYRIGHT 20 BY - ALL RIGHTS RESERVED.

REVISIONS					
P	LTR	DESCRIPTION	DATE	DWN	APVD
R		REVISED PER ECO-17-005566	27APR17	B. J	S. Y

LOW HALOGEN



- NOTES;
- 1 MATERIAL: HOUSING: L.C.P. (HIGH TEMP. THERMOPLASTIC)  
UL 94V-0, NATURAL.  
CONTACT: BERYLIUM COPPER.
  - 2 FINISH: CONTACT AREA: 0.0002 MIN GOLD ON  
0.0013 MIN ALL OVER NICKEL.  
SOLDERING AREA: 0.002 MIN MATTE-TIN
  - 3. POSITION SERIES: SEE TABLE. (SHEET 2)
  - 4. CONN STACK HEIGHT COMBINE OF PLUG "Y" H VS REC "X" H.  
STACK HEIGHT = Y + X - 5
  - 5 MANUFACTURE PLANT LOCATION MARK. QINGDAO:
  - 6 CONNECTOR WITH BLACK HOUSING AND POLYIMIDE COVER

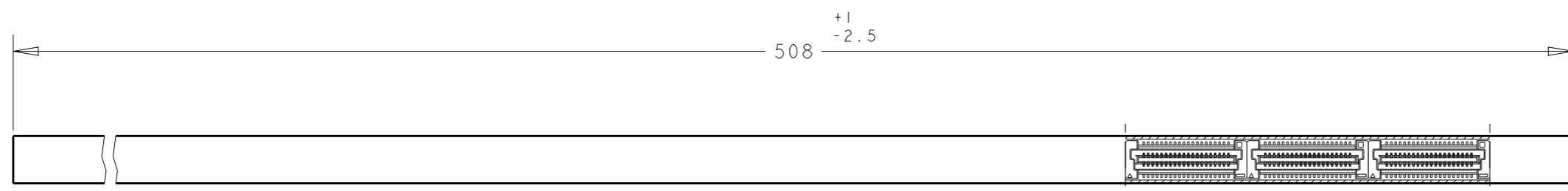
RECOMMENDED P.C. BOARD LAYOUT

CONNECTOR ONLY

THIS DRAWING IS A CONTROLLED DOCUMENT.		DWN FLORENCE TAN	14SEP04	TE Connectivity	
DIMENSIONS: mm		CHK ERIC TNG			
TOLERANCES UNLESS OTHERWISE SPECIFIED:		APVD SEIFONG		NAME RECEPTACLE ASSEMBLY 9H TYPE FOR FH 0.8mm PITCH B-T-B CONNECTOR	
0 PLC ±-		PRODUCT SPEC	108-5390	SIZE	
1 PLC ±0.30		APPLICATION SPEC	114-5254	CAGE CODE	DRAWING NO
2 PLC ±0.25		WEIGHT	-	A3	C-5179009
3 PLC ±0.20		CUSTOMER DRAWING		SCALE	SHEET
4 PLC ±-				4:1	1 OF 3
ANGLES ±3°				REV	R
FINISH					
MATERIAL					
1					
2					

THIS DRAWING IS UNPUBLISHED. RELEASED FOR PUBLICATION 20  
 © COPYRIGHT 20 BY - ALL RIGHTS RESERVED.

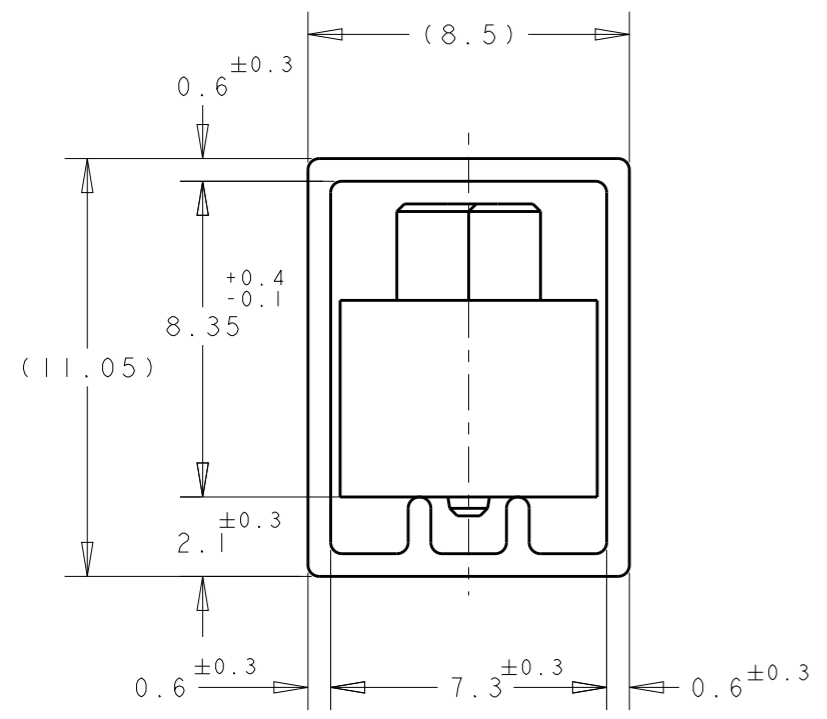
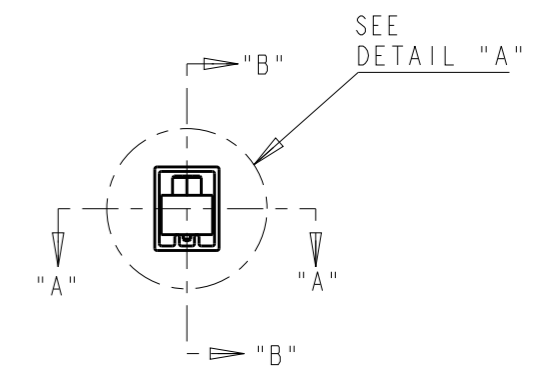
REVISIONS				
P	LTR	DESCRIPTION	DATE	APVD
		SEE SHEET 1 OF 3		



SECT "A" - "A"



SECT "B" - "B"



DETAIL "A"  
(SCALE 5-1)

WITHOUT COVER

LOW HALOGEN

84.20	85.80	79.20	200	6-	-0
76.20	77.80	71.20	180	5-	-9
68.20	69.80	63.20	160	5-	-8
60.20	61.80	55.20	140	5-	-6
52.20	53.80	47.20	120	5-	-5
44.20	45.80	39.20	100	5-	-4
36.20	37.80	31.20	80	5-	-3
28.20	29.80	23.20	60	5-	-2
20.20	21.80	15.20	40	5-	-1
C	B	A	POS.	PART No.	

THIS DRAWING IS A CONTROLLED DOCUMENT.		DWN FLORENCE TAN 14SEP04	TE Connectivity		
DIMENSIONS: mm		CHK ERIC TNG			
TOLERANCES UNLESS OTHERWISE SPECIFIED:		APVD SEIFONG	NAME RECEPTACLE ASSEMBLY 9H TYPE FOR FH 0.8mm PITCH B-T-B CONNECTOR		
0 PLC ±- 1 PLC ±0.30 2 PLC ±0.25 3 PLC ±0.20 4 PLC ±- ANGLES ±3°		PRODUCT SPEC 108-5390	SIZE A3	CAGE CODE -	DRAWING NO C-5179009
MATERIAL -1		FINISH -2	APPLICATION SPEC 114-5254	RESTRICTED TO -	SCALE 4:1
CUSTOMER DRAWING			SHEET 2 OF 3	REV R	

THIS DRAWING IS UNPUBLISHED.

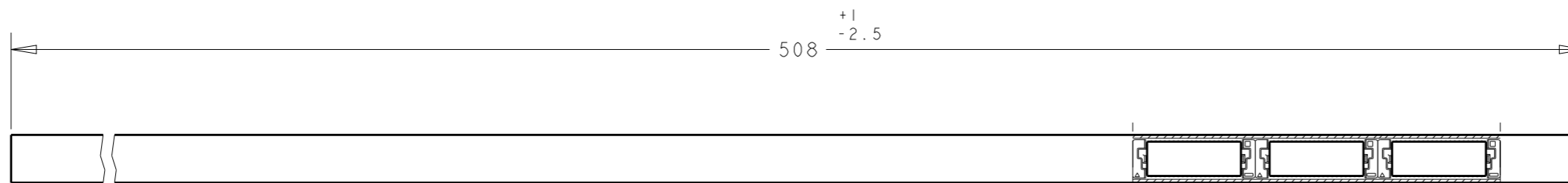
RELEASED FOR PUBLICATION

20

REVISIONS

© COPYRIGHT 20 BY - ALL RIGHTS RESERVED.

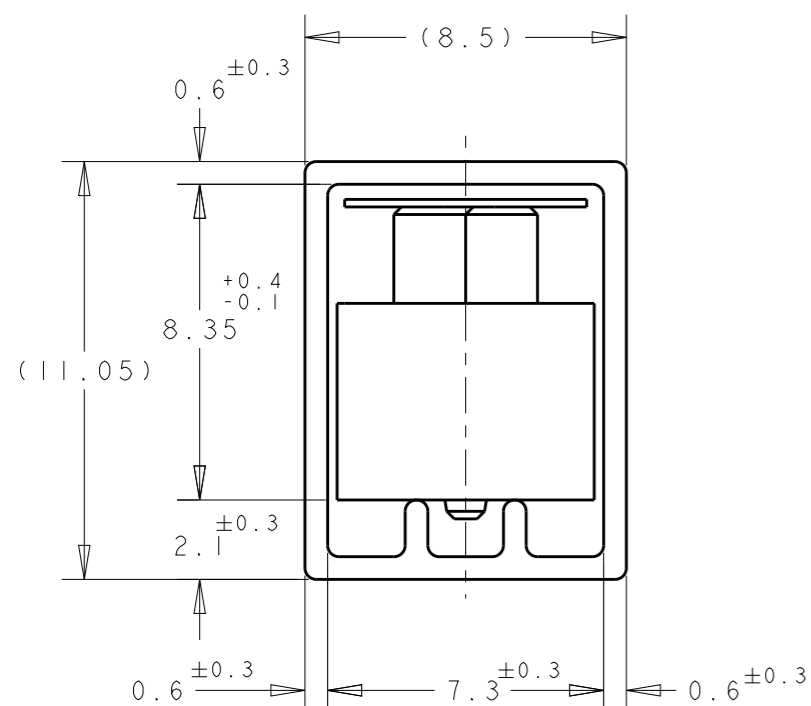
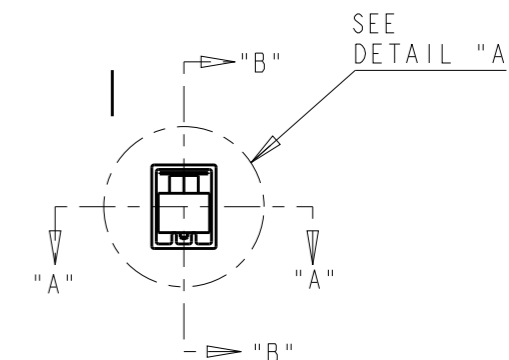
P	LTR	DESCRIPTION	DATE	DWN	APVD
		SEE SHEET 1 OF 3			



SECT "A" - "A"



SECT "B" - "B"



DETAIL "A"  
(SCALE 5-1)

WITH POLYIMIDE COVER

LOW HALOGEN

60.20	61.80	55.20	140	9-5179009-6
C	B	A	POS.	PART No.

THIS DRAWING IS A CONTROLLED DOCUMENT.		DWN FLORENCE TAN 14SEP04		
DIMENSIONS: mm		CHK ERIC TNG		
TOLERANCES UNLESS OTHERWISE SPECIFIED:		APVD SEIFONG	NAME RECEPTACLE ASSEMBLY 9H TYPE FOR FH 0.8mm PITCH B-T-B CONNECTOR	
0 PLC ±-		PRODUCT SPEC 108-5390	SIZE A3	
1 PLC ±0.30		APPLICATION SPEC 114-5254	CAGE CODE -	DRAWING NO C-5179009
2 PLC ±0.25		WEIGHT -	RESTRICTED TO -	
3 PLC ±0.20		CUSTOMER DRAWING	SCALE 4:1	SHEET 3 OF 3
4 PLC ±-				REV R
ANGLES ±3°				
MATERIAL -1	FINISH -2			

单击下面可查看定价，库存，交付和生命周期等信息

[>>TE Connectivity\(泰科\)](#)