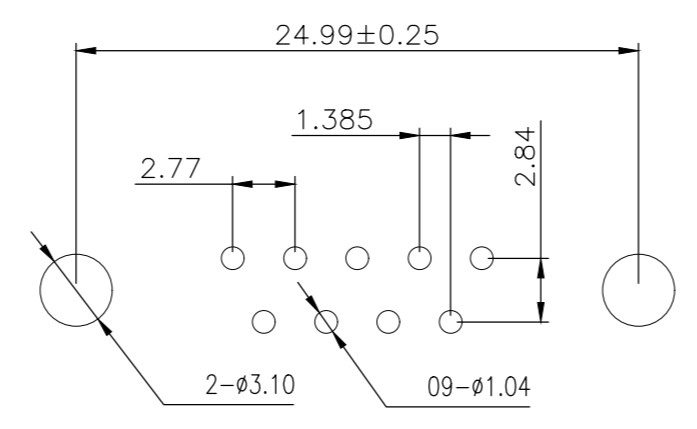
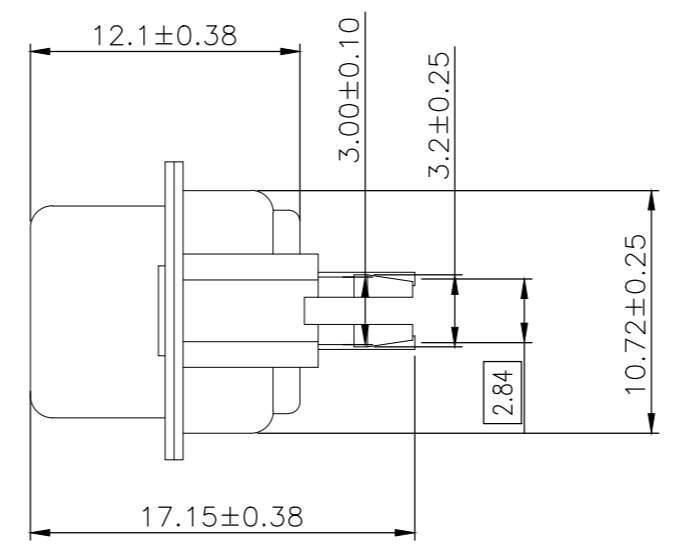
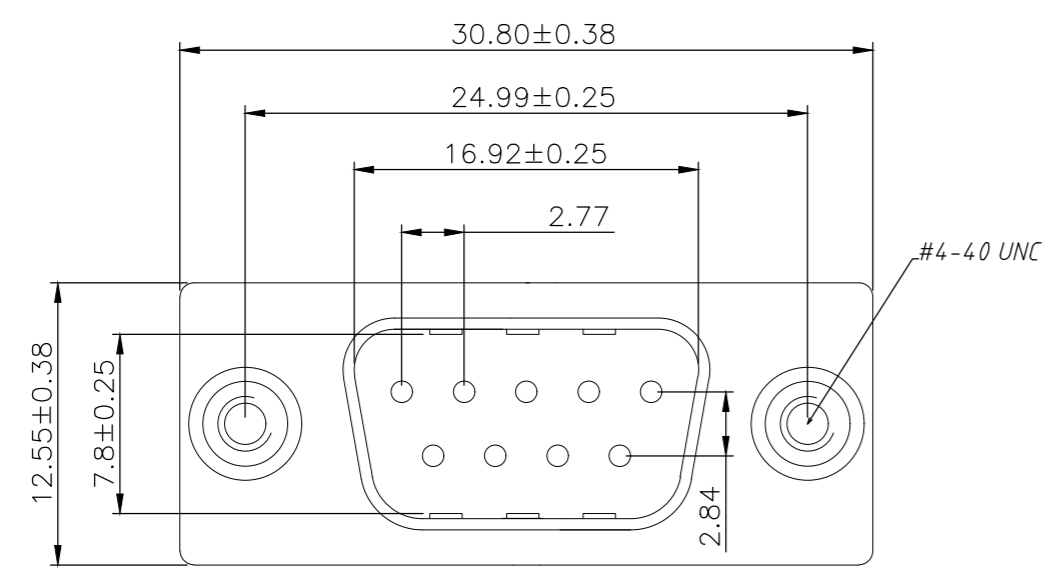


THIS DRAWING IS UNPUBLISHED. RELEASED FOR PUBLICATION
 © COPYRIGHT - By - ALL RIGHTS RESERVED.

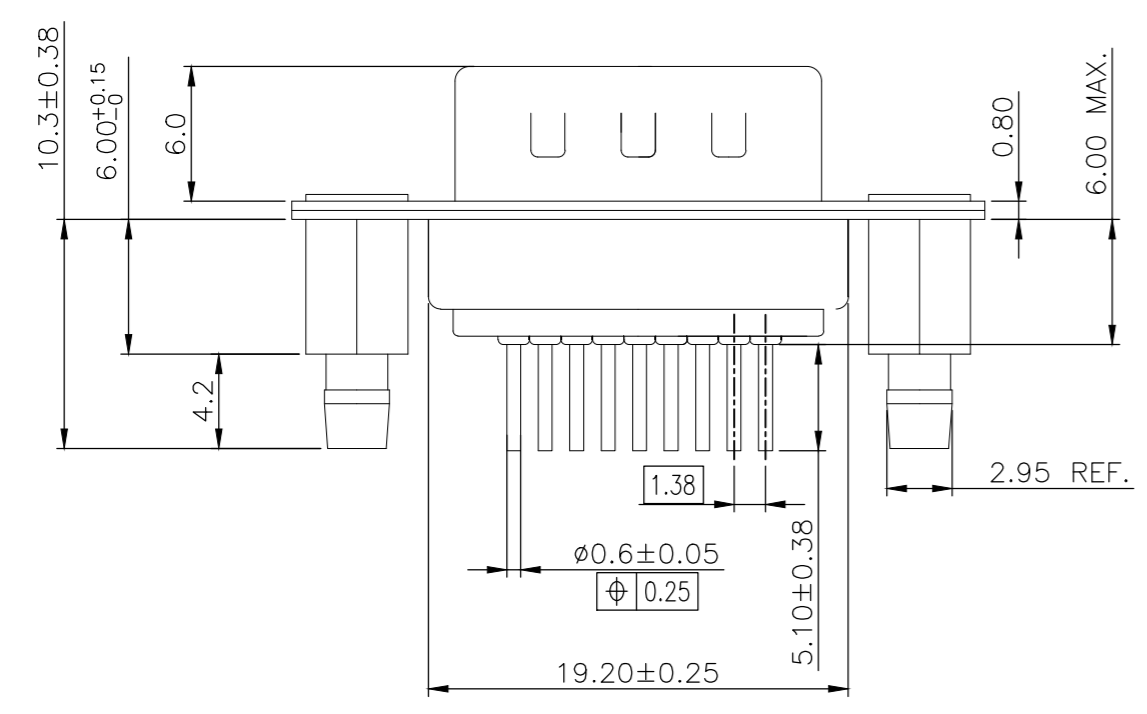
REVISIONS				
P	LTR	DESCRIPTION	DATE	APVD
D		REVISED PER ECO-18-001882	12FEB2018	AP DG

NOTE:

- MATERIAL:**
 HOUSING: PBT WITH 20% GF UL 94 V-0, BLACK COLOR
 CONTACTS: BRASS.
 SHELL: STEEL.
 SCREW: BRASS.
 SCREW LOCK: BRASS.
 SCREW TORQUE: 5kgf-cm MAX.
- FINISH:**
 CONTACTS: GOLD PLATED ON CONTACT AREA,
 0.375µm [15µ"] MIN. MATTE TIN ON SOLDER TAIL
 2.54µm [100µ"], WITH ENTIRE CONTACT UNDERPLATED 1.27µm [50µ"] MIN. NICKEL.
 FRONT SHELL: 2.54µm [100µ"] MIN. NICKEL PLATE.
 REAR SHELL: 1.27µm [50µ"] MIN NICKEL UNDERPLATE
 2.54µm [100µ"] MIN BRIGHT TIN PLATE
 SCREW LOCK: 1.27µm [50µ"] MIN. NICKEL PLATED.
 BOARDLOCK: 1.27µm [50µ"] MIN NICKEL UNDERPLATE
 1.27µm [50µ"] MIN MATTE TIN PLATE
- WAVE SOLDER CAPABLE TO 265°C PER TE TEST SPEC. 109-202, CONDITION B.**



RECOMMENDED PCB LAYOUT

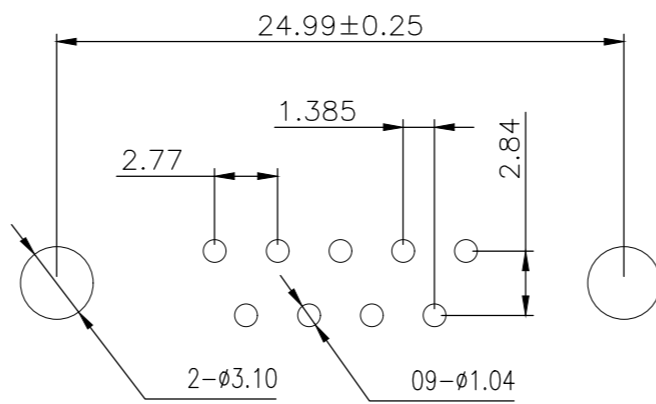
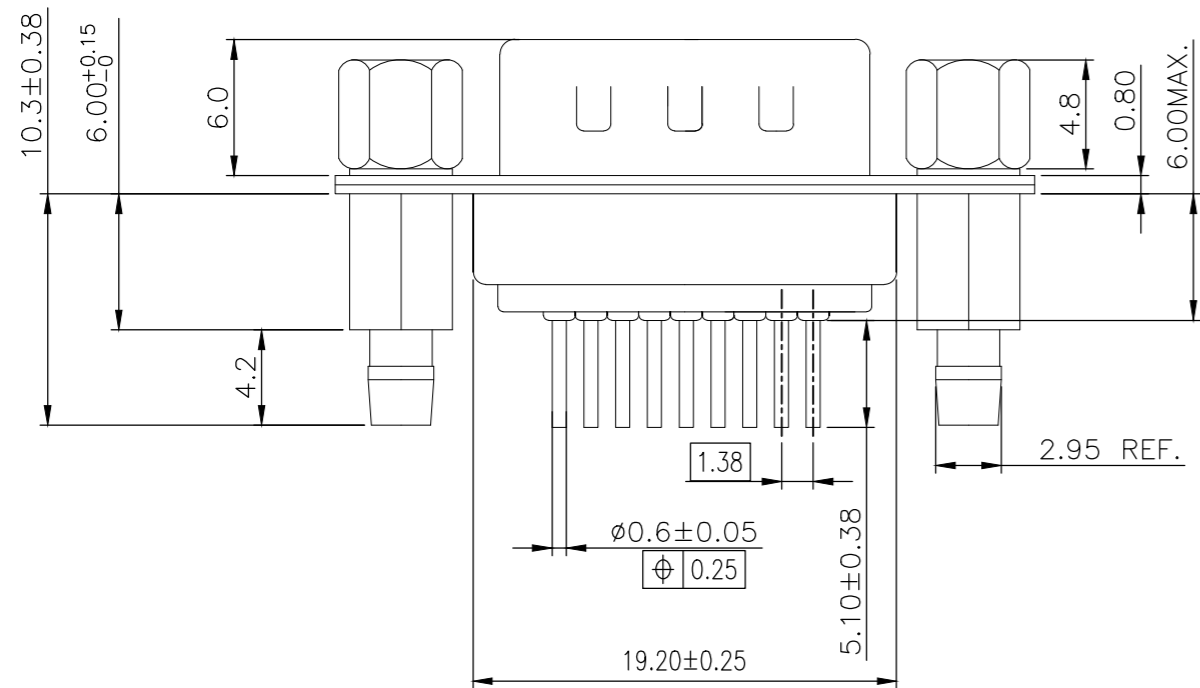
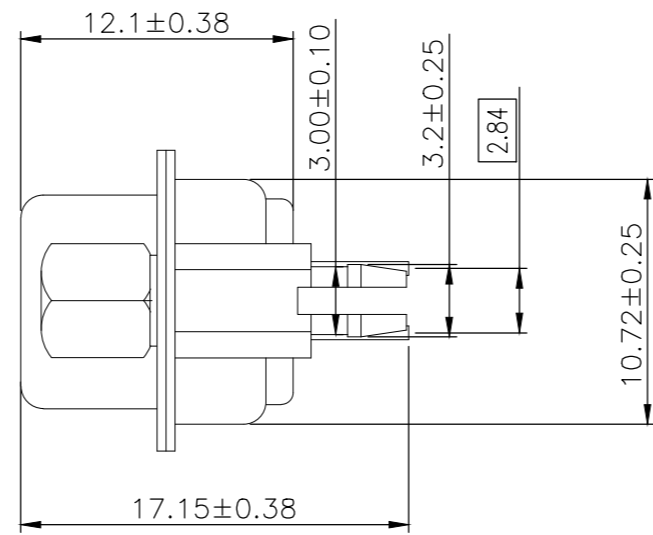
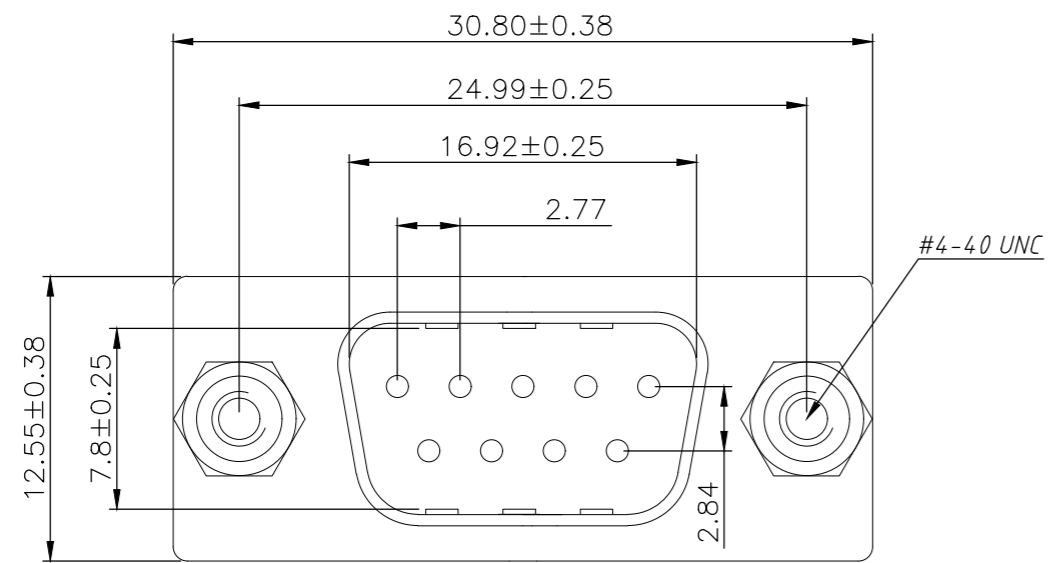


THIS DRAWING IS A CONTROLLED DOCUMENT.		DWN AJITH PAI 06FEB2017	9w D plg W B/L & 4-40 inserts 15u" gold		2301826-1
DIMENSIONS: mm		CHK DAN GORENC 06FEB2017	DESCRIPTION		TE PART NO
TOLERANCES UNLESS OTHERWISE SPECIFIED:		APVD 06FEB2017	TE Connectivity		
0 PLC ± - 1 PLC ± 0.25 2 PLC ± 0.15 3 PLC ± - 4 PLC ± - ANGLES ± 2°		PRODUCT SPEC 108-130013 APPLICATION SPEC -			
MATERIAL		FINISH	NAME	D-SUB VERTICAL 9P PLUG CONNECTOR	
-		-	SIZE	CAGE CODE	DRAWING NO
-		-	A2	00779	C=2301826
-		-	WEIGHT	0	RESTRICTED TO
-		-	CUSTOMER DRAWING		-
-		-	SCALE	3:1	SHEET 1 of 4
-		-	REV		D

2301826

THIS DRAWING IS UNPUBLISHED. RELEASED FOR PUBLICATION
 © COPYRIGHT - By - ALL RIGHTS RESERVED.

REVISIONS					
P	LTR	DESCRIPTION	DATE	DWN	APVD
-	-	SEE SHEET 1	-	-	-



RECOMMENDED PCB LAYOUT

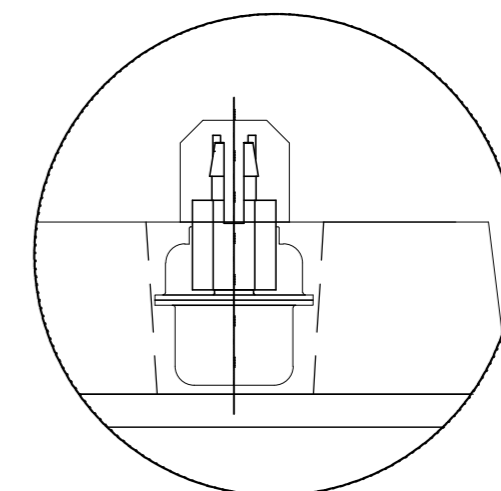
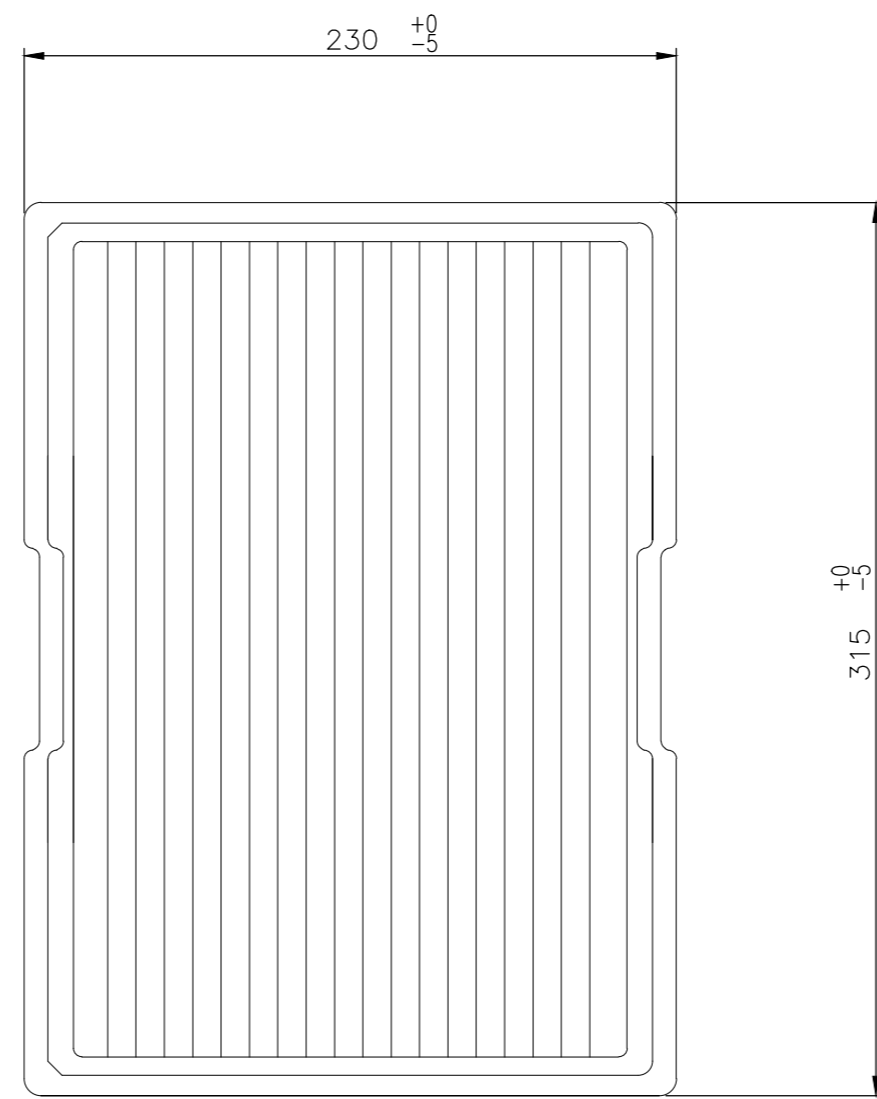
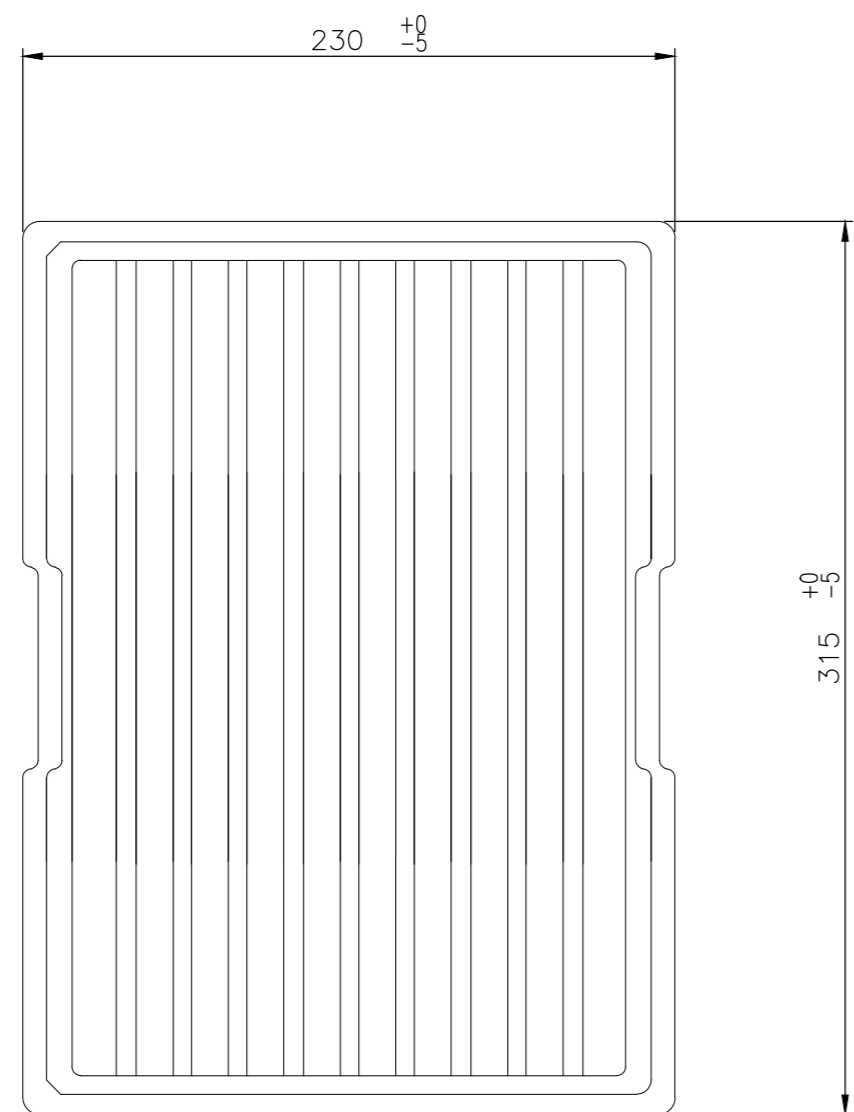
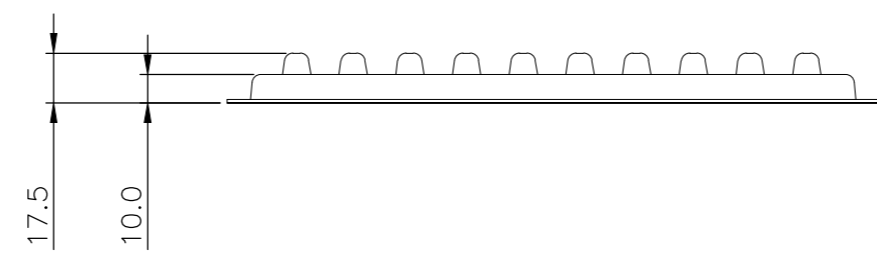
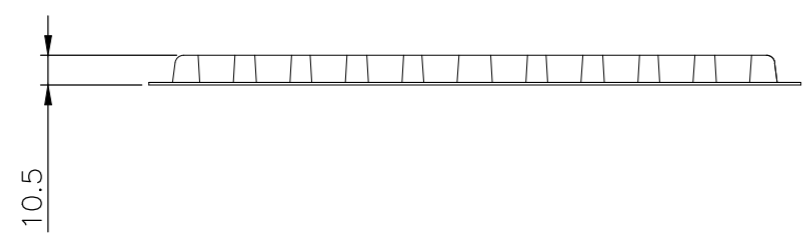
2301826

THIS DRAWING IS A CONTROLLED DOCUMENT.		DWN	AJITH PAI	06FEB2017
DIMENSIONS: mm		CHK	DAN GORENC	06FEB2017
TOLERANCES UNLESS OTHERWISE SPECIFIED:		APVD	-	06FEB2017
0 PLC ± -		PRODUCT SPEC	108-130013	
1 PLC ± 0.25		APPLICATION SPEC	-	
2 PLC ± 0.15		WEIGHT	0	
3 PLC ± -		CUSTOMER DRAWING	-	
4 PLC ± -		SCALE	3:1	
ANGLES ± 2°		SHEET	2 of 4	
MATERIAL -		REV	D	
FINISH -				

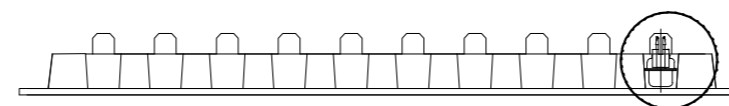
9w D plg W B/L & 4-40 s/lock 15u" gold		2301826-2	
DESCRIPTION		TE PART NO	
TE TE Connectivity			
D-SUB VERTICAL 9P PLUG CONNECTOR			
SIZE	CAGE CODE	DRAWING NO	RESTRICTED TO
A2	00779	C=2301826	-

THIS DRAWING IS UNPUBLISHED. RELEASED FOR PUBLICATION
 © COPYRIGHT - By - ALL RIGHTS RESERVED.

REVISIONS					
P	LTR	DESCRIPTION	DATE	DWN	APVD
-	-	SEE SHEET 1	-	-	-



DETAIL A

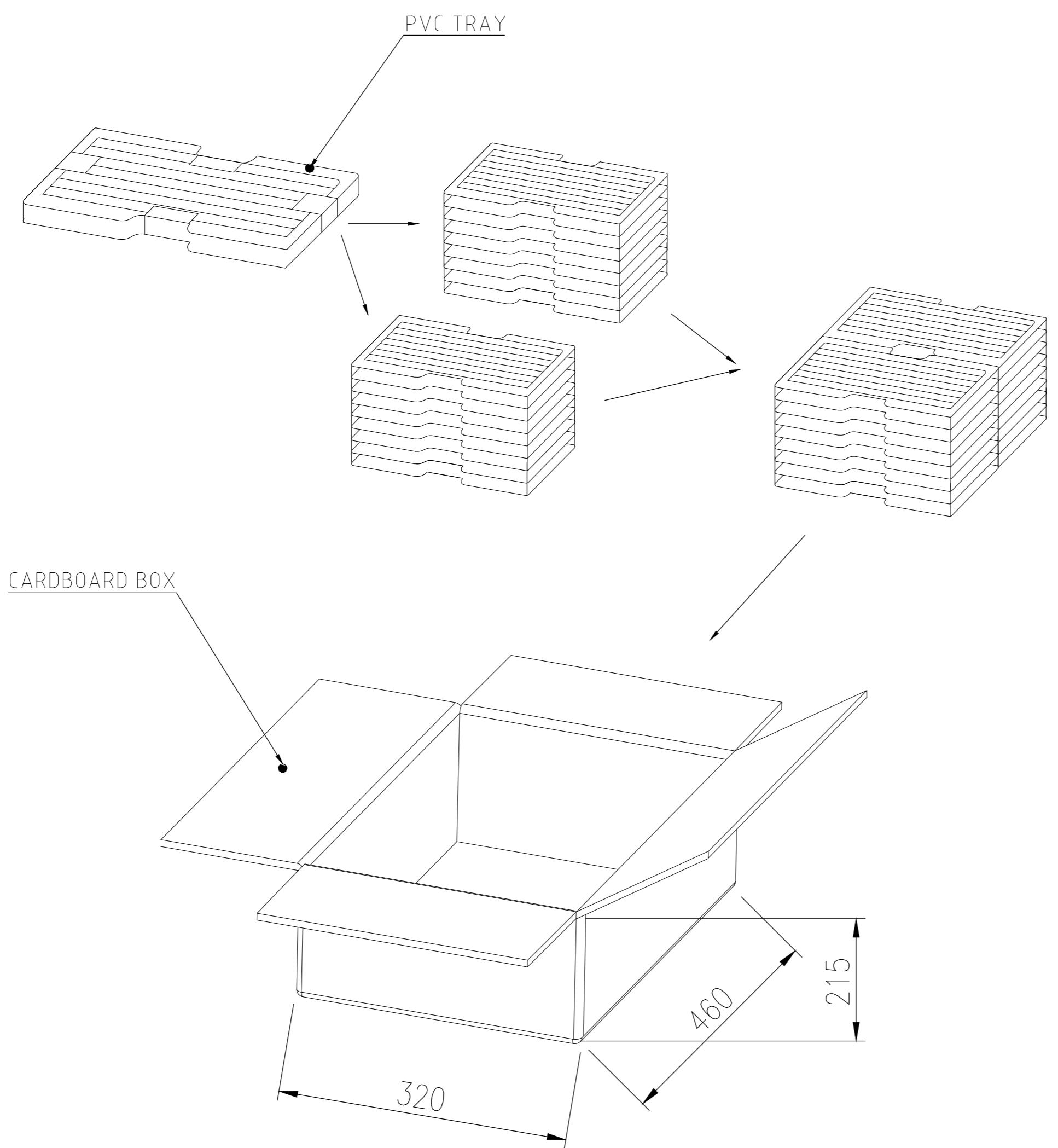


SEE DETAIL A

THIS DRAWING IS A CONTROLLED DOCUMENT.		DWN AJITH PAI 06FEB2017		
		CHK DAN GORENC 06FEB2017		
		APVD - 06FEB2017	NAME	
DIMENSIONS: mm		PRODUCT SPEC 108-130013	D-SUB VERTICAL 9P PLUG CONNECTOR	
TOLERANCES UNLESS OTHERWISE SPECIFIED:		APPLICATION SPEC	SIZE A2	CAGE CODE 00779
0 PLC ± -		WEIGHT 0	DRAWING NO C=2301826	RESTRICTED TO
1 PLC ± 0.25				
2 PLC ± 0.15				
3 PLC ± -				
4 PLC ± -				
ANGLES ± -				
MATERIAL		SCALE 3:1		SHEET 3 of 4
FINISH		REV D		
CUSTOMER DRAWING				

THIS DRAWING IS UNPUBLISHED. RELEASED FOR PUBLICATION
 © COPYRIGHT - By - ALL RIGHTS RESERVED.

REVISIONS					
P	LTR	DESCRIPTION	DATE	DWN	APVD
-	-	SEE SHEET 1	-	-	-



15.989	13.410	90	20	1800	2301826-2
13.325	10.746	90	20	1800	2301826-1
GROSS WEIGHT (kg)	NET WEIGHT (kg)	PCS/TRAY	TRAYS /CARTON	QUANTITY /PCS	PART NUMBER

THIS DRAWING IS A CONTROLLED DOCUMENT.		DWN AJITH PAI 06FEB2017			
DIMENSIONS: mm		CHK DAN GORENC 06FEB2017			
TOLERANCES UNLESS OTHERWISE SPECIFIED:		APVD - 06FEB2017	NAME		
0 PLC ± -		PRODUCT SPEC	D-SUB VERTICAL		
1 PLC ± 0.25		108-130013	9P PLUG CONNECTOR		
2 PLC ± 0.15		APPLICATION SPEC	-		
3 PLC ± -		WEIGHT	SIZE	CAGE CODE	DRAWING NO
4 PLC ± -		0	A2	00779	C=2301826
ANGLES ± -		CUSTOMER DRAWING	SCALE	SHEET	REV
FINISH			3:1	4 of 4	D

2301826

单击下面可查看定价，库存，交付和生命周期等信息

[>>TE Connectivity\(泰科\)](#)