

4

3

2

1

THIS DRAWING IS UNPUBLISHED.

RELEASED FOR PUBLICATION

20

© COPYRIGHT 20 BY -

ALL RIGHTS RESERVED.

TAB ASSEMBLY FREE HANGING TYPE

CIRCUIT SYMBOL

TE LOGO

15.2

REVISIONS

P	LTR	DESCRIPTION	DATE	DWN	APVD
	A	RELEASED	28MAR2016	K.T	E.T
	A1	REVISED	27APR2016	K.T	E.T
	A2	REVISED	02JUN2016	K.T	E.T

2.5

ALUMEL CONTACT ASSY

2.5

DATE CODE

CHROMEL CONTACT ASSY

17

10.7

8

11.05

31.3

YYWW

CIRCUIT SYMBOL

1 MATERIAL:
CONTACT ASSY: STAINLESS STEEL
CHROMEL/ALUMEL
HOUSING: THERMOPLASTIC(UL94V-0)
TRAY: POLYSTYRENE

2 DATE CODE
YY: YEAR
WW: WEEK
D: DAY
3. REFER TO INSTRUCTION SHEET 408-78115.

2-2299960-1	1-2299960-1		
54	-	TAB ASSY PANEL MOUNT(SHEET 2)	3
-	54	TAB ASSY FREE HANGING(SHEET 1)	2
1	1	TRAY(SEE SHEET 3 OF 4 AND 4 OF 4)	1
Q'TY		DESCRIPTION	NO

THIS DRAWING IS A CONTROLLED DOCUMENT.		DWN K. TERAJIMA 29MAR2016	TE Connectivity	
DIMENSIONS: mm		CHK E. TAKEMASA 29MAR2016		
TOLERANCES UNLESS OTHERWISE SPECIFIED: ± 0.3		APVD E. TAKEMASA 29MAR2016	NAME TRAY PACKAGE. THERMOCOUPLE CONNECTOR K-TYPE 2POS TAB ASSEMBLY	
0 PLC ± 1 PLC ± 2 PLC ± 3 PLC ± 4 PLC ± ANGLES ±5°		PRODUCT SPEC 108-140100	RESTRICTED TO	
MATERIAL		APPLICATION SPEC -	SIZE A300779	CAGE CODE C-2299960
FINISH		WEIGHT -	DRAWING NO	
		CUSTOMER DRAWING	SCALE 2:1	SHEET 1 OF 4
			REV A2	

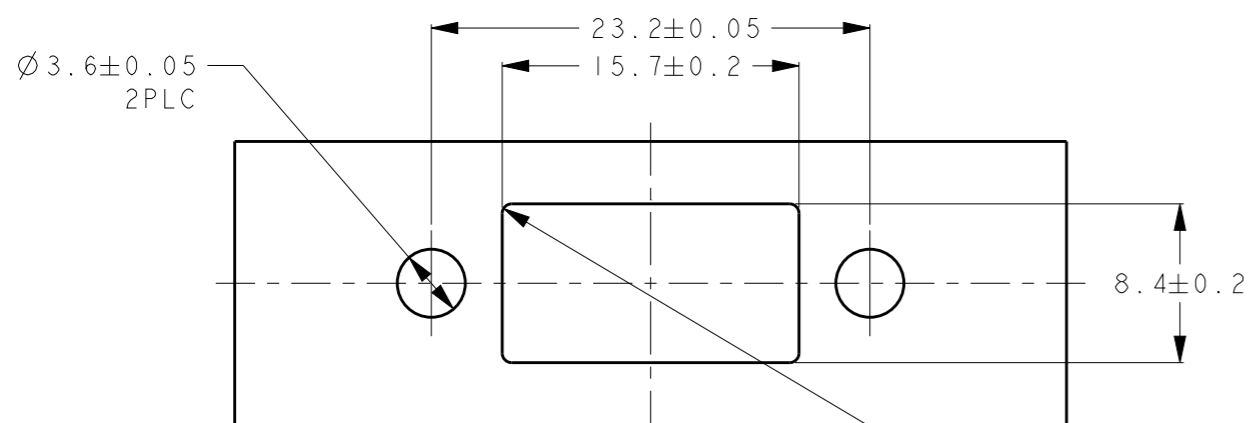
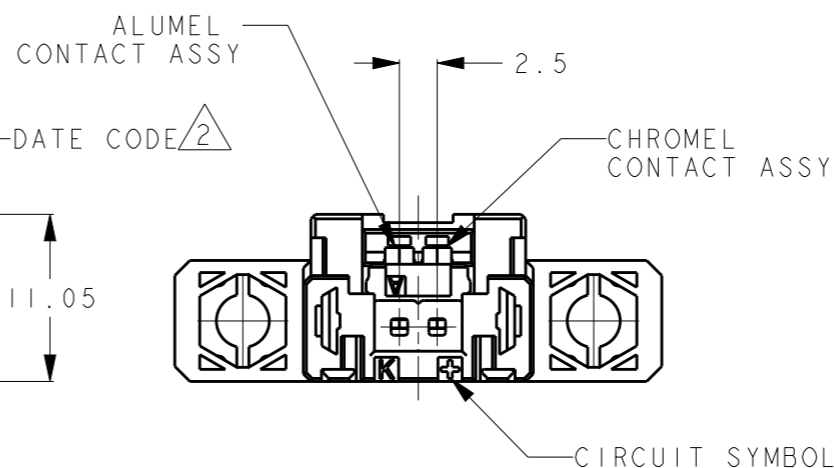
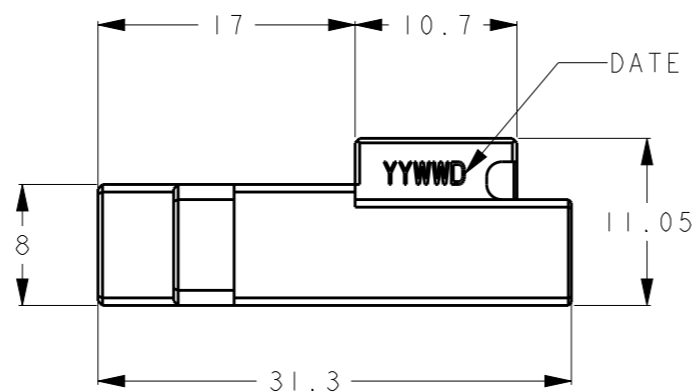
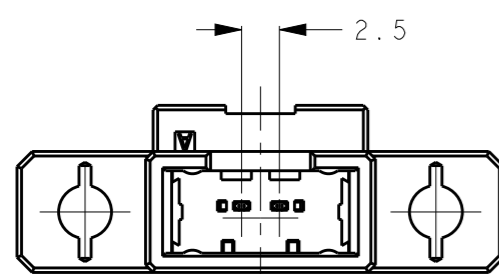
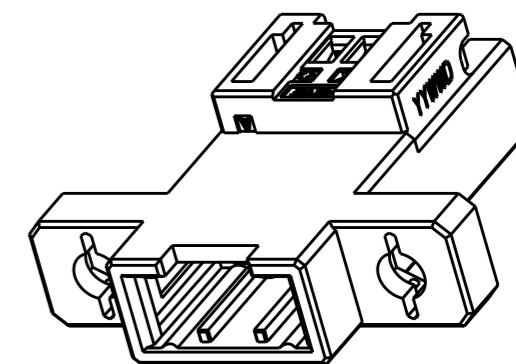
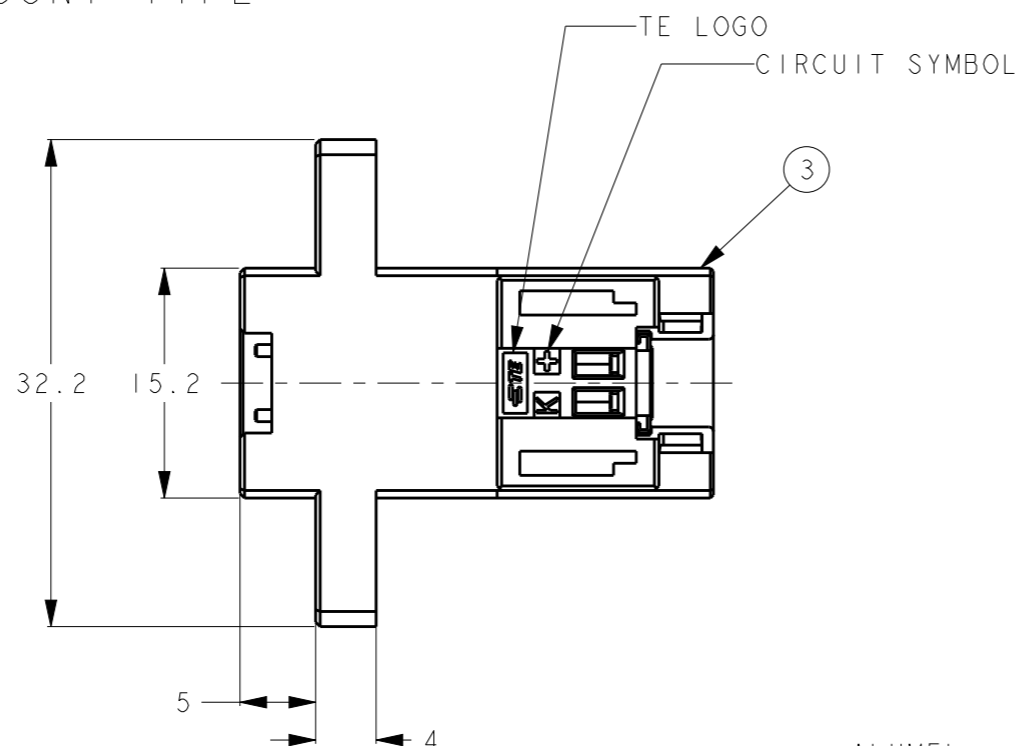
1470-19 (3/13)

Downloaded From Onevac.com

REVISIONS

P	LTR	DESCRIPTION	DATE	DWN	APVD
-	-	SEE SHEET 1	-	-	-

TAB ASSEMBLY PANEL MOUNT TYPE



RECOMENDED PANEL CUT LAYOUT
 - PANEL THICKNESS: 0.8 - 2.0
 - APPLICABLE SCREW: M3
 - TIGHTENING TORQUE: 0.315 N·m MAX.

THIS DRAWING IS A CONTROLLED DOCUMENT.

DIMENSIONS:	TOLERANCES UNLESS OTHERWISE SPECIFIED:
mm	± 0.3
	0 PLC \pm
	1 PLC \pm
	2 PLC \pm
	3 PLC \pm
	4 PLC \pm
	ANGLES $\pm 5^\circ$
MATERIAL	FINISH

DWN	CHK	APVD
PRODUCT SPEC	108-140100	APPLICATION SPEC
WEIGHT	-	
CUSTOMER DRAWING		

TE Connectivity		NAME	
		TRAY PACKAGE. THERMOCOUPLE CONNECTOR K-TYPE 2POS TAB ASSEMBLY	
SIZE	CAGE CODE	DRAWING NO	RESTRICTED TO
A3	00779	C-2299960	-
SCALE 2:1		SHEET 2 OF 4	REV A2

THIS DRAWING IS UNPUBLISHED.

RELEASED FOR PUBLICATION

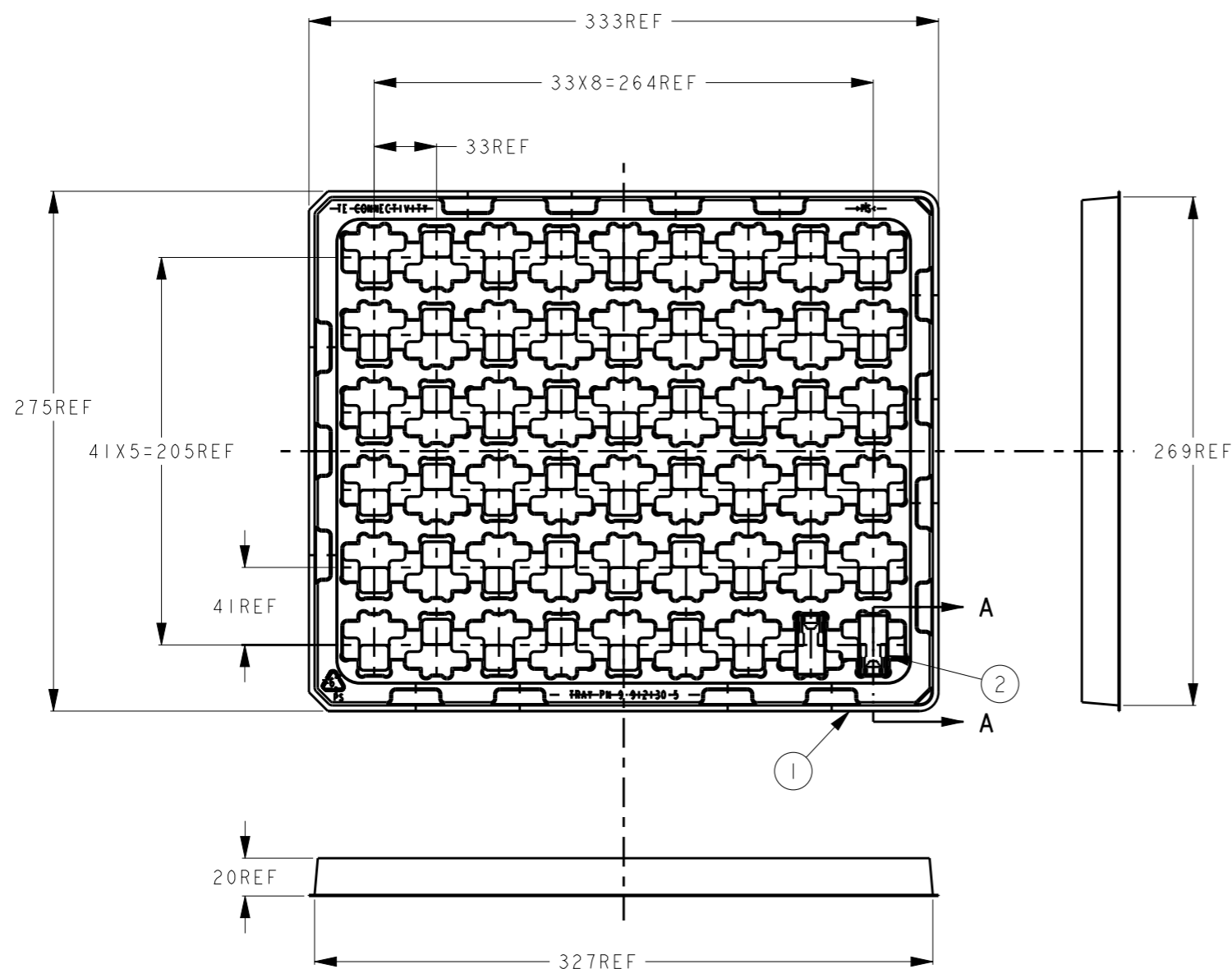
20

© COPYRIGHT 20 BY -

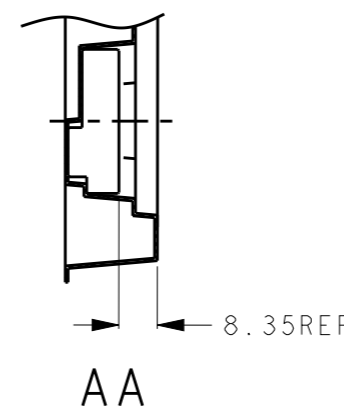
ALL RIGHTS RESERVED.

REVISIONS

P	LTR	DESCRIPTION	DATE	DWN	APVD
-	-	SEE SHEET 1	-	-	-

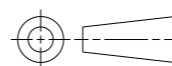


1-2299960-1: AS SHOWN
FREE HANGING TYPE



THIS DRAWING IS A CONTROLLED DOCUMENT.

DIMENSIONS:
mm



MATERIAL



TOLERANCES UNLESS OTHERWISE SPECIFIED:
± 0.5

Ø PLC	±
1 PLC	±
2 PLC	±
3 PLC	±
4 PLC	±
ANGLES	±5°
FINISH	

DWN
CHK
APVD
PRODUCT SPEC
APPLICATION SPEC
WEIGHT
CUSTOMER DRAWING



NAME
TRAY PACKAGE,
THERMOCOUPLE CONNECTOR K-TYPE 2POS
TAB ASSEMBLY

SIZE	CAGE CODE	DRAWING NO	RESTRICTED TO
A3	00779	C-2299960	-

SCALE	SHEET	OF	REV
NTS	3	4	A2

THIS DRAWING IS UNPUBLISHED.

RELEASED FOR PUBLICATION

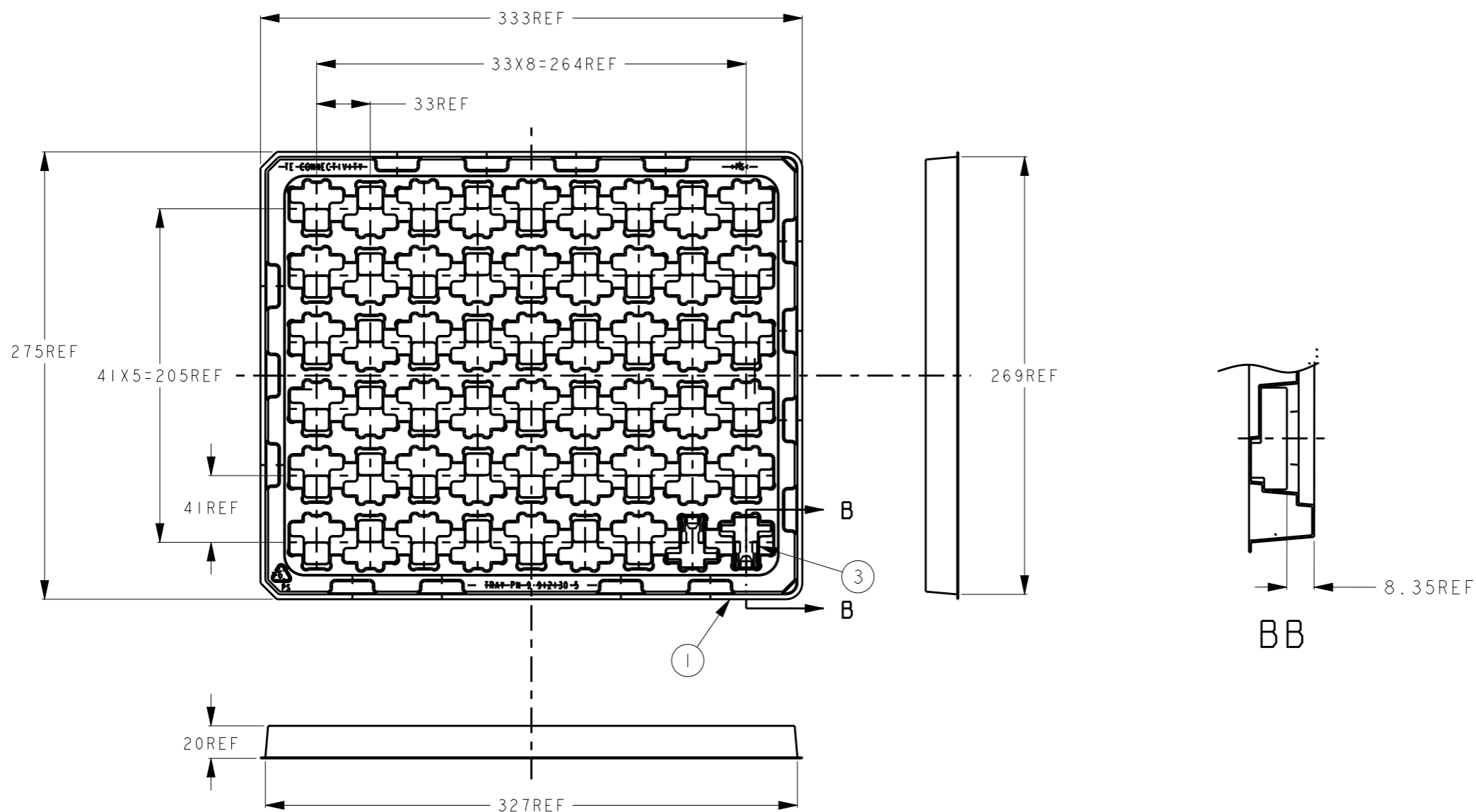
20

© COPYRIGHT 20 BY -



ALL RIGHTS RESERVED.

REVISIONS

P	LTR	DESCRIPTION	DATE	DWN	APVD
-	-	SEE SHEET 1	-	-	-



2-2299960-1: AS SHOWN
PANEL MOUNT TYPE

THIS DRAWING IS A CONTROLLED DOCUMENT.		DWN	 TE Connectivity	
DIMENSIONS: mm		CHK		
TOLERANCES UNLESS OTHERWISE SPECIFIED: ± 0.5		APVD	NAME TRAY PACKAGE, THERMOCOUPLE CONNECTOR K-TYPE 2POS TAB ASSEMBLY	
0 PLC ±		PRODUCT SPEC	SIZE	
1 PLC ±		-	CAGE CODE	
2 PLC ±		APPLICATION SPEC	DRAWING NO	
3 PLC ±		-	RESTRICTED TO	
4 PLC ±		WEIGHT	A300779C-2299960	
ANGLES ±5°		-	SCALE	
FINISH		CUSTOMER DRAWING	NTS	
MATERIAL		SHEET		4 OF 4
		REV		A2

单击下面可查看定价，库存，交付和生命周期等信息

[>>TE Connectivity\(泰科\)](#)