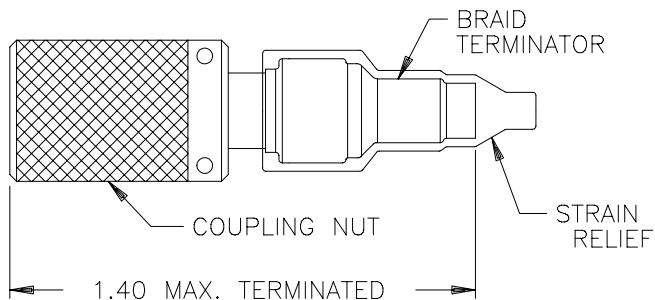
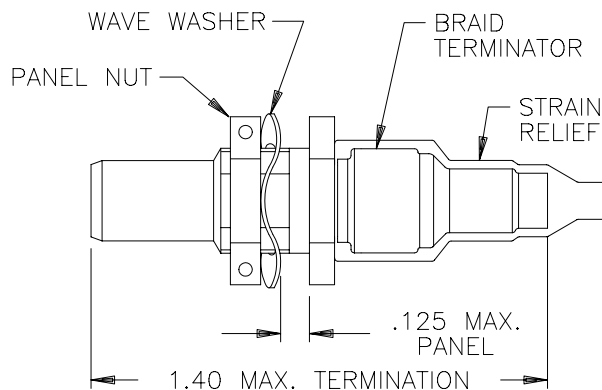




REVISIONS			
LTR	DESCRIPTION	DATE	APPROVED
E	REVISED PER ECN# T-15570	91 FEB 12	Z. TEMAN
F	REVISED PER ECN# T-17595	92 JUN 24	Z. TEMAN
G	REVISED PER ECN# T-20964	96 SEP 09	Z. TEMAN



PLUG ASSEMBLY: D-621-0011



JACK ASSEMBLY: D-621-0012

TABULATION TABLE			
KIT	PCN NO.	CONNECTOR	CONTACT, TWINAXIAL
DK-621-0011-P	363549	PLUG	PIN
DK-621-0011-S	018591	PLUG	SOCKET
DK-621-0012-P	971913	JACK	PIN
DK-621-0012-S	639215	JACK	SOCKET

NOT AVAILABLE FOR NEW ORDERS ORDER EQUIVALENT DK-621-001X(-XX) CONNECTOR			
DK-621-1011-P	859186	PLUG	PIN
DK-621-1011-S	587444	PLUG	SOCKET
DK-621-1012-P	839933	JACK	PIN
DK-621-1012-S	489932	JACK	SOCKET

NOTES:

- 1.0 REFER TO THE RAYCHEM SPECIFICATION CONTROL DRAWING D-621-0011/0012 FOR INDIVIDUAL COMPONENT DETAILS.
- 2.0 CONNECTORS ARE QUALIFIED TO RAYCHEM SPECIFICATION D-6025.
- 3.0 TERMINATION PROCEDURE: RAYCHEM ES 61162.

SPECIFICATION CONTROL DRAWING

If this document is printed it becomes uncontrolled.
Check with the web for latest revision.

UNLESS OTHERWISE SPECIFIED DIMENSIONS ARE IN INCHES. METRIC DIMENSIONS ARE IN BRACKETS. DECIMALS .XXX ± — [— mm] .XX ± — [— mm] ANGLES .X — ± — WEIGHT — lbs [— g]	DRAWN terry 84 FEB 2 REDRAWN J.B.K. 90 OCT 12 APPROVED APPROVED Z.TEMAN 84 FEB 27 CAD NAME 004988-1	Raychem RAYCHEM CORPORATION 300 CONSTITUTION DRIVE MENLO PARK, CALIFORNIA 94025		
	TITLE KITS FOR D-621-0011/0012 TRIAXIAL CONNECTORS MIL-STD-1553			
	THIRD ANGLE PROJECTION 	SIZE A CODE IDENT. NO. 06090 DWG. NO. DK-621-X011/X012-X REV G	DO NOT SCALE THIS DRAWING	SHEET 1 OF 1

单击下面可查看定价，库存，交付和生命周期等信息

[>>TE Connectivity\(泰科\)](#)