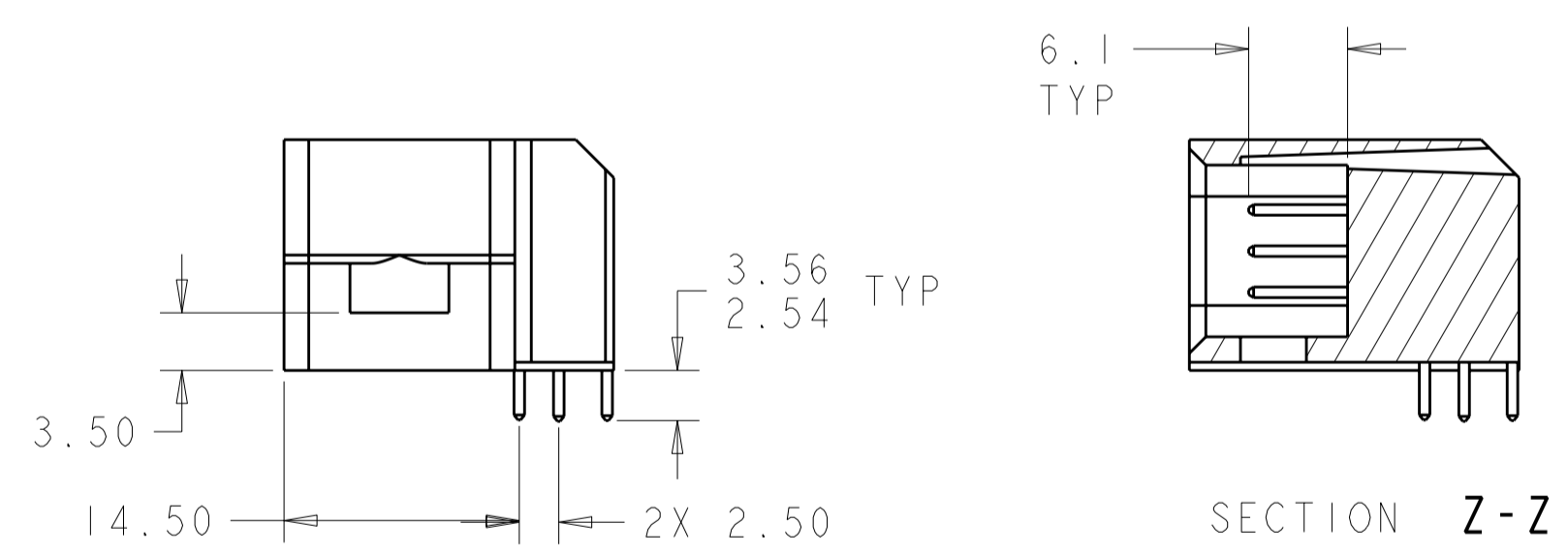
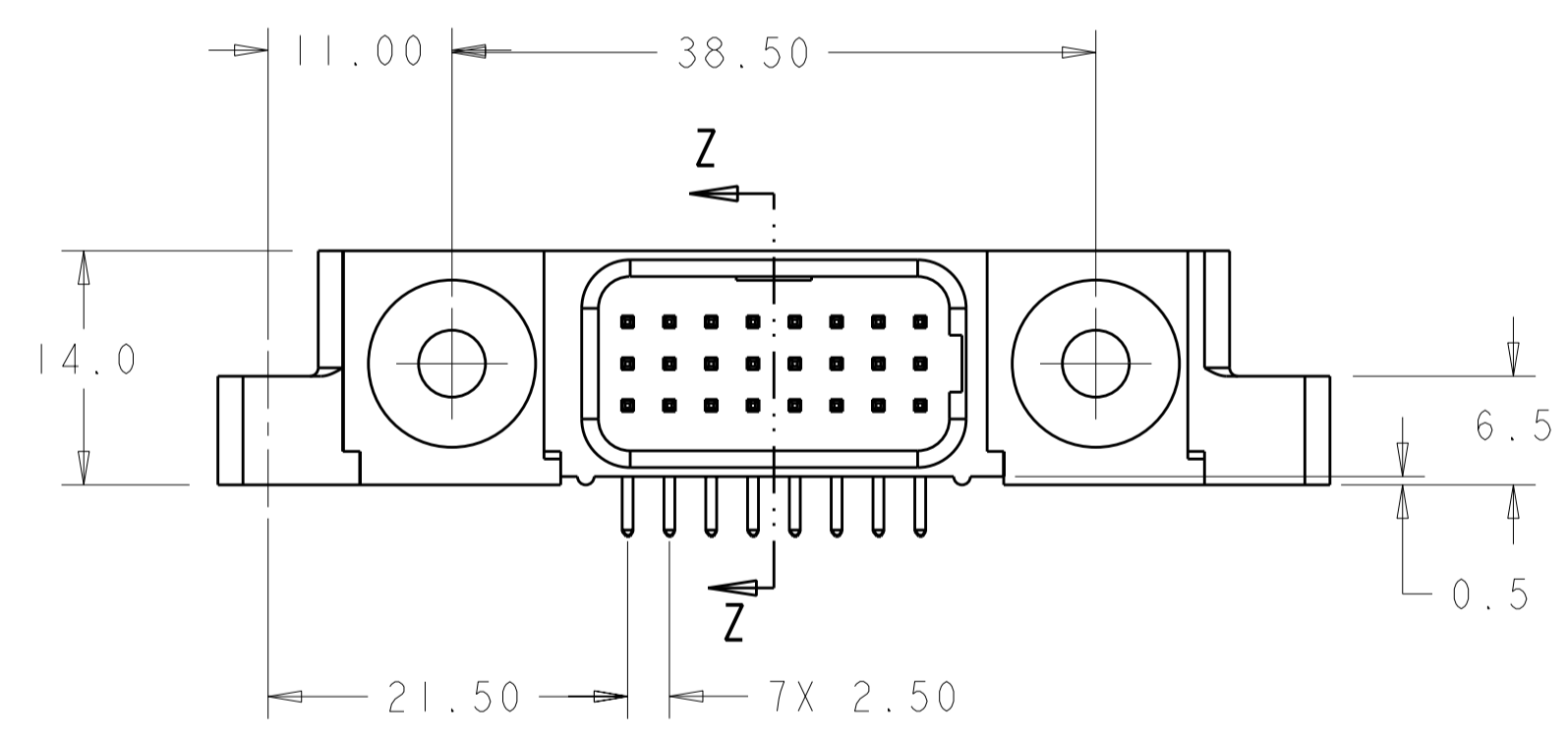
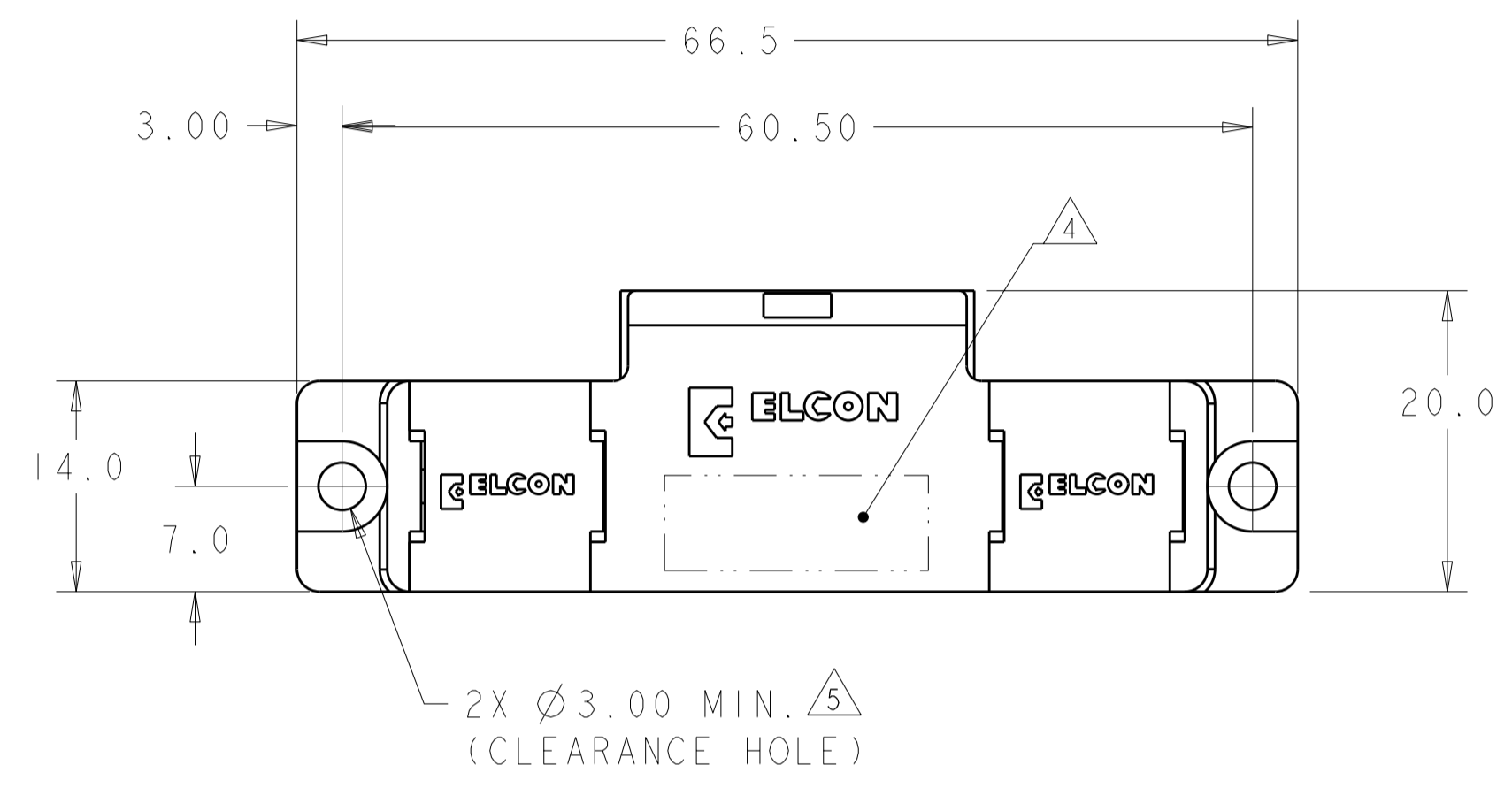


THIS DRAWING IS UNPUBLISHED. RELEASED FOR PUBLICATION 20  
 © COPYRIGHT 20 BY TYCO ELECTRONICS CORPORATION. ALL RIGHTS RESERVED.

| LOC | DIST | REVISIONS |     |                            |           |     |      |
|-----|------|-----------|-----|----------------------------|-----------|-----|------|
| GP  | 00   | P         | LTR | DESCRIPTION                | DATE      | DWN | APVD |
|     |      |           | A   | RELEASED PER ECO-09-019917 | 26AUG2009 | RG  | MS   |



1. PART NUMBER CHANGES AND OR DESIGN CHANGES AFFECTING ITEM INTERCHANGEABILITY REQUIRE PRIOR TYCO ELECTRONICS APPROVAL AND AUTHORIZATION BY REVISION TO THIS DRAWING.

2 MATERIAL: INSULATORS - THERMOPLASTIC, GLASS REINFORCED, UL94V-0 FLAMMABILITY RATED. COLOR: BLACK  
 SIGNAL CONTACTS - BRASS ALLOY

3 FINISH: CONTACTS - GOLD PLATE .76µm MIN. THK. OVER NICKEL  
 1.27µm MIN. THK.  
 SOLDER TAILS TIN - 3.05µm MIN. THK. OVER NICKEL  
 1.27µm MIN. THK

4 ITEMS PROVIDED TO THIS SPECIFICATION TO BE PERMANENTLY IDENTIFIED PER THE FOLLOWING IDENTIFIER LABEL

YEAR    WEEK   

TYCO ELECTRONICS P/N      DATE CODE (e.g. 0106)

XXXXXXXX-X                      XXXX

5 MOUNTING FLANGES ACCEPTS M3 OR #4-40 SCREWS (USER SUPPLIED)

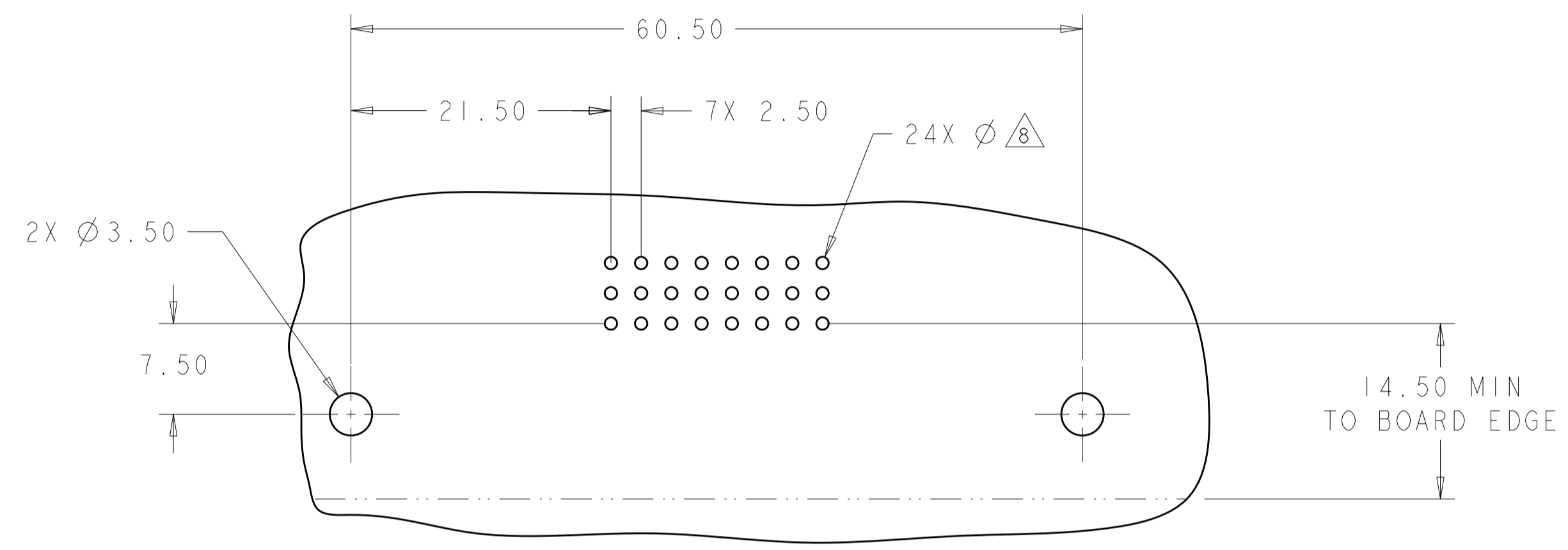
6. THIS CONNECTOR MATES WITH P/N 2085122-1

|             |             |
|-------------|-------------|
| AS SHOWN    | 2085121-1   |
| DESCRIPTION | PART NUMBER |

|   |  |                                     |   |                         |
|---|--|-------------------------------------|---|-------------------------|
| THIS DRAWING IS A CONTROLLED DOCUMENT FOR TYCO ELECTRONICS CORPORATION. IT IS SUBJECT TO CHANGE AND THE CONTROLLING ENGINEERING ORGANIZATION SHOULD BE CONTACTED FOR THE LATEST REVISION. |  | DWN<br>R. GRZYBOWSKI<br>27 JAN 2009 | Tyco Electronics<br>Harrisburg, PA 17105-3608                         |                         |
| DIMENSIONS:<br>mm   |  | CHK<br>P. DAMATO<br>27 JAN 2009     | NAME<br>PIN CONNECTOR ASSEMBLY<br>RIGHT ANGLE, SOLDER TAIL<br>FLATPAQ |                         |
| TOLERANCES UNLESS OTHERWISE SPECIFIED:<br>0 PLC ±.5<br>1 PLC ±.5<br>2 PLC ±.25<br>3 PLC ±.<br>4 PLC ±.<br>ANGLES ±.5<br>FINISH  |  | APVD<br>M. PERCHERKE<br>27 JAN 2009 | SIZE<br>A200779   | DRAWING NO<br>C-2085121 |
| MATERIAL  |  | PRODUCT SPEC<br>-                   | RESTRICTED TO<br>-  |                         |
|   |  | APPLICATION SPEC<br>-               | SCALE<br>3:1  | SHEET<br>1 OF 3         |
|   |  | WEIGHT<br>-                         | REV<br>A  |                         |
| CUSTOMER DRAWING  |  |                                     |   |                         |

THIS DRAWING IS UNPUBLISHED. RELEASED FOR PUBLICATION 20  
 © COPYRIGHT 20 BY TYCO ELECTRONICS CORPORATION. ALL RIGHTS RESERVED.

| LOC | DIST | REVISIONS   |             |     |      |
|-----|------|-------------|-------------|-----|------|
| P   | LTR  | DESCRIPTION | DATE        | DWN | APVD |
| GP  | 00   | -           | SEE SHEET 1 | -   | -    |
|     |      |             |             |     |      |
|     |      |             |             |     |      |



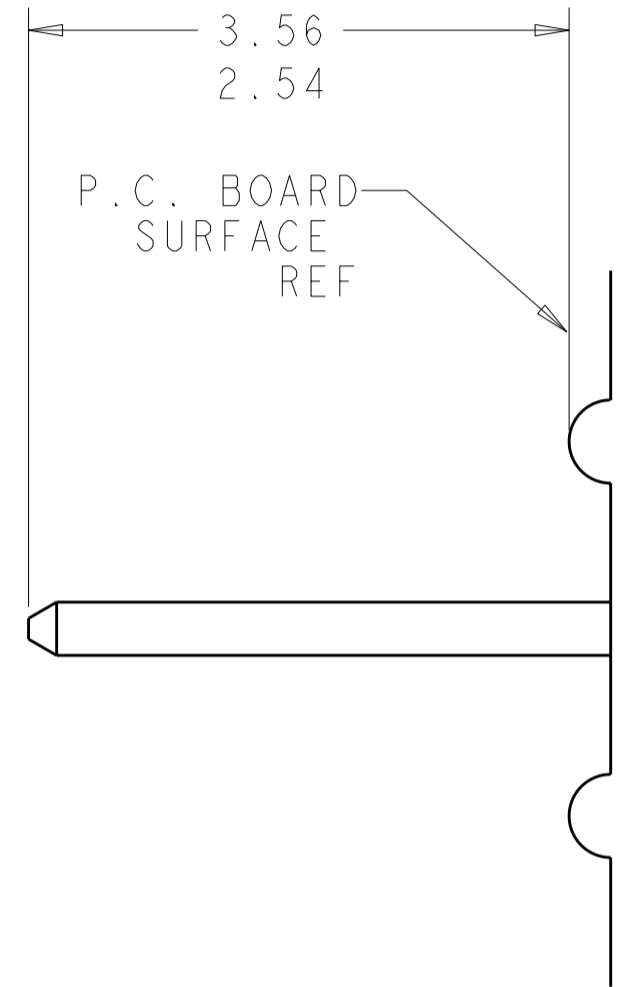
PRINTED CIRCUIT LAYOUT  
 COMPONENT SIDE

| CONNECTOR | CATALOG MODULE # | QTY | SIZE NO.                 | CONTACT QTY | MATING PIN     | MAX. CURRENT (PER CONTACT) | CONTACT SPACING | VOLTAGE RATING |
|-----------|------------------|-----|--------------------------|-------------|----------------|----------------------------|-----------------|----------------|
|           | FP302            | 1   | 22                       | 24          | .64 [.025] SQ. | 3 amps                     | 2.50 [.0984]    | 125 VOLTS      |
|           | FP506            | 2   | RIGHT ANGLE GUIDE SOCKET |             |                |                            |                 |                |
|           | FP500            | 1   | LEFT MOUNTING FLANGE     |             |                |                            |                 |                |
|           | FP501            | 1   | RIGHT MOUNTING FLANGE    |             |                |                            |                 |                |

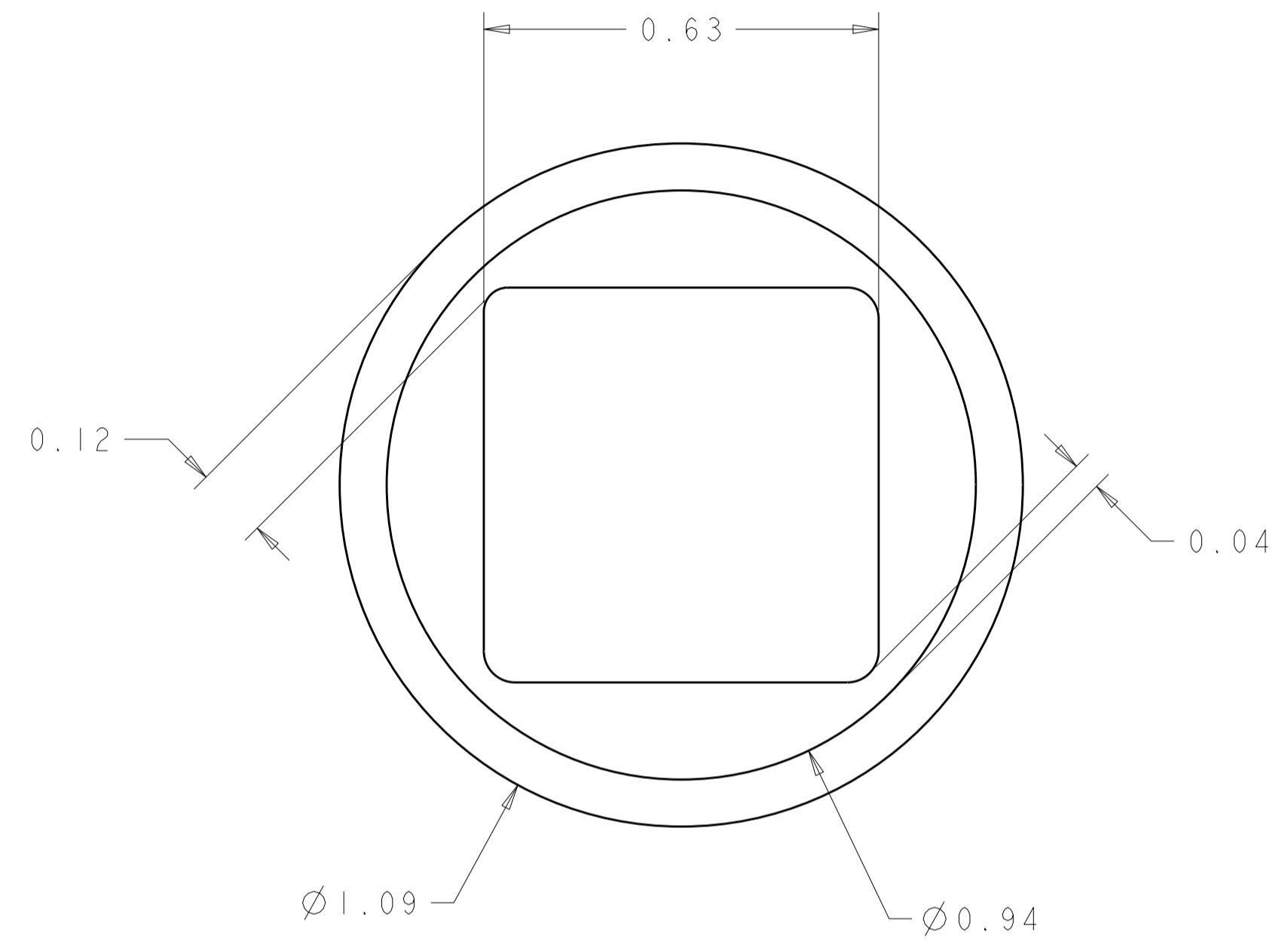
|  |  |  |   |
|--|--|--|---|
| <small>THIS DRAWING IS A CONTROLLED DOCUMENT FOR TYCO ELECTRONICS CORPORATION. IT IS SUBJECT TO CHANGE AND THE CONTROLLING ENGINEERING ORGANIZATION SHOULD BE CONTACTED FOR THE LATEST REVISION.</small> |  | DWN<br><b>R. GRZYBOWSKI</b><br>27 JAN 2009<br>CHK<br><b>P. DAMATO</b><br>27 JAN 2009<br>APVD<br><b>M. PERCHERKE</b><br>27 JAN 2009 | Tyco Electronics<br>Harrisburg, PA 17105-3608   |
| DIMENSIONS:<br>mm<br>  | TOLERANCES UNLESS OTHERWISE SPECIFIED:<br>0 PLC ±.5<br>1 PLC ±.5<br>2 PLC ±.25<br>3 PLC ±.<br>4 PLC ±.<br>ANGLES ±.5<br>FINISH | PRODUCT SPEC<br>-<br>APPLICATION SPEC<br>-<br>WEIGHT<br>-  | NAME<br>PIN CONNECTOR ASSEMBLY<br>RIGHT ANGLE, SOLDER TAIL<br>FLATPAQ<br>SIZE CAGE CODE DRAWING NO RESTRICTED TO<br>A200779 C-2085121 - |
| MATERIAL   |  | CUSTOMER DRAWING   |   |
|  |  | SCALE 3:1  | SHEET 2 OF 3 REV A  |

THIS DRAWING IS UNPUBLISHED. RELEASED FOR PUBLICATION 20  
 © COPYRIGHT 20 BY TYCO ELECTRONICS CORPORATION. ALL RIGHTS RESERVED.

| LOC | DIST | REVISIONS   |             |     |      |
|-----|------|-------------|-------------|-----|------|
| P   | LTR  | DESCRIPTION | DATE        | DWN | APVD |
| GP  | 00   | -           | SEE SHEET 1 | -   | -    |
|     |      |             |             |     |      |
|     |      |             |             |     |      |



7. SOLDER TAIL DETAIL  
SCALE 10 : 1



8. SOLDER TERMINATION AREA  
SCALE 40:1  
 RECOMMENDED PRINTED CIRCUIT SOLDER HOLE  
 FINISHED HOLE: Ø1.02 ±.08  
 DRILLED HOLE: Ø1.15 ±.013  
 COPPER PLATE: .025 MIN.  
 TIN PLATE: .008 MIN. (PER SURFACE)

|   |  |   |   |
|---|--|---|---|
| <small>THIS DRAWING IS A CONTROLLED DOCUMENT FOR TYCO ELECTRONICS CORPORATION<br/>         IT IS SUBJECT TO CHANGE AND THE CONTROLLING ENGINEERING ORGANIZATION<br/>         SHOULD BE CONTACTED FOR THE LATEST REVISION.</small> |  | DWN<br><b>R. GRZYBOWSKI</b> 27 JAN 2009<br>CHK<br><b>P. DAMATO</b> 27 JAN 2009<br>APVD<br><b>M. PERCHERKE</b> 27 JAN 2009 | <b>Tyco Electronics</b><br>Tyco Electronics<br>Harrisburg, PA 17105-3608  |
| DIMENSIONS:<br>mm<br>   | TOLERANCES UNLESS OTHERWISE SPECIFIED:<br>0 PLC ±.5<br>1 PLC ±.5<br>2 PLC ±.25<br>3 PLC ±.<br>4 PLC ±.<br>ANGLES ±.5<br>FINISH | PRODUCT SPEC<br>APPLICATION SPEC<br>WEIGHT<br>CUSTOMER DRAWING  | NAME<br><b>PIN CONNECTOR ASSEMBLY<br/>         RIGHT ANGLE, SOLDER TAIL<br/>         FLATPAQ</b><br>SIZE CAGE CODE DRAWING NO RESTRICTED TO<br><b>A200779 C-2085121</b> - |
| MATERIAL -  |  | SCALE 3:1   | SHEET 3 OF 3 REV A  |

单击下面可查看定价，库存，交付和生命周期等信息

[>>TE Connectivity\(泰科\)](#)