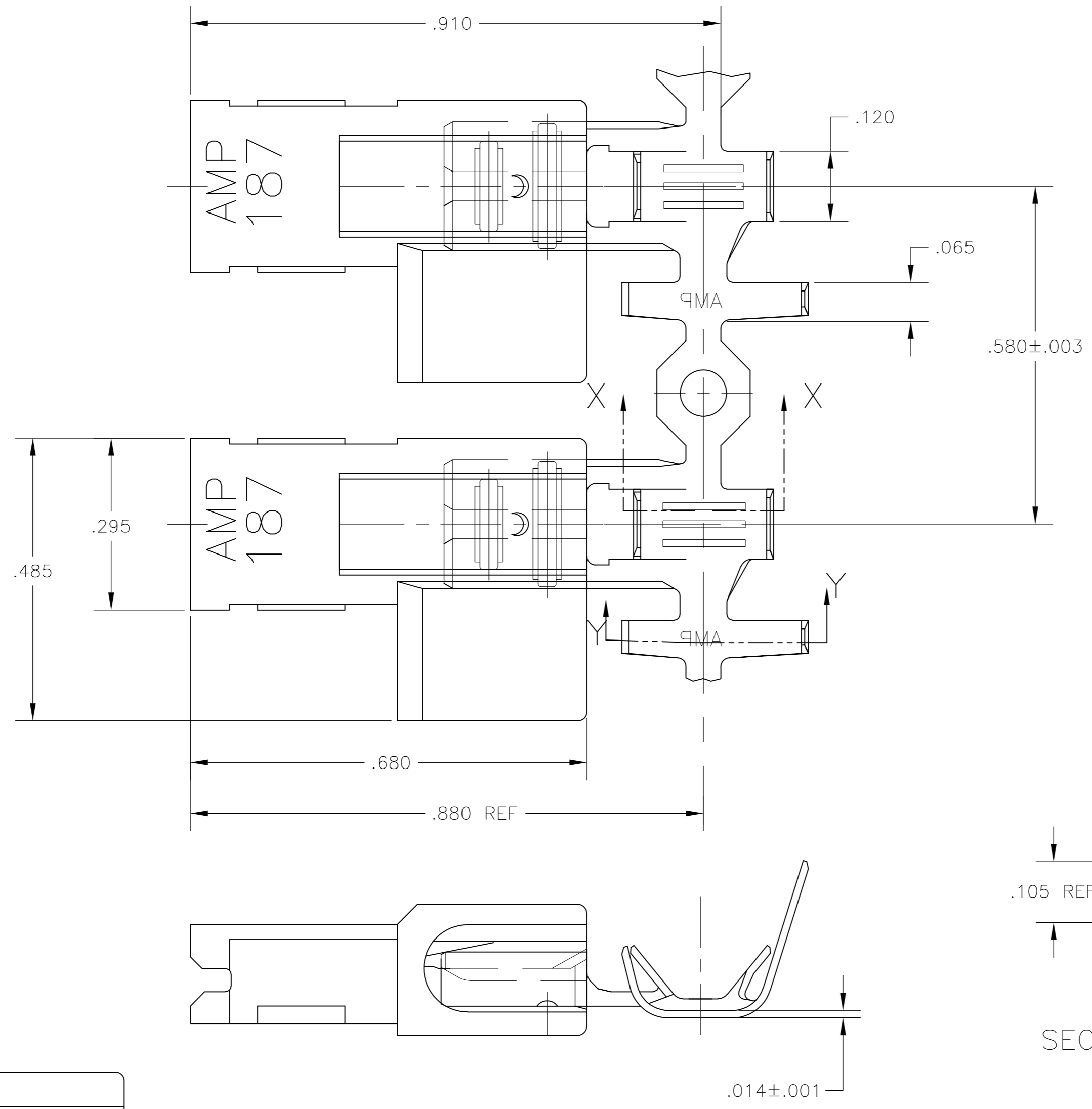
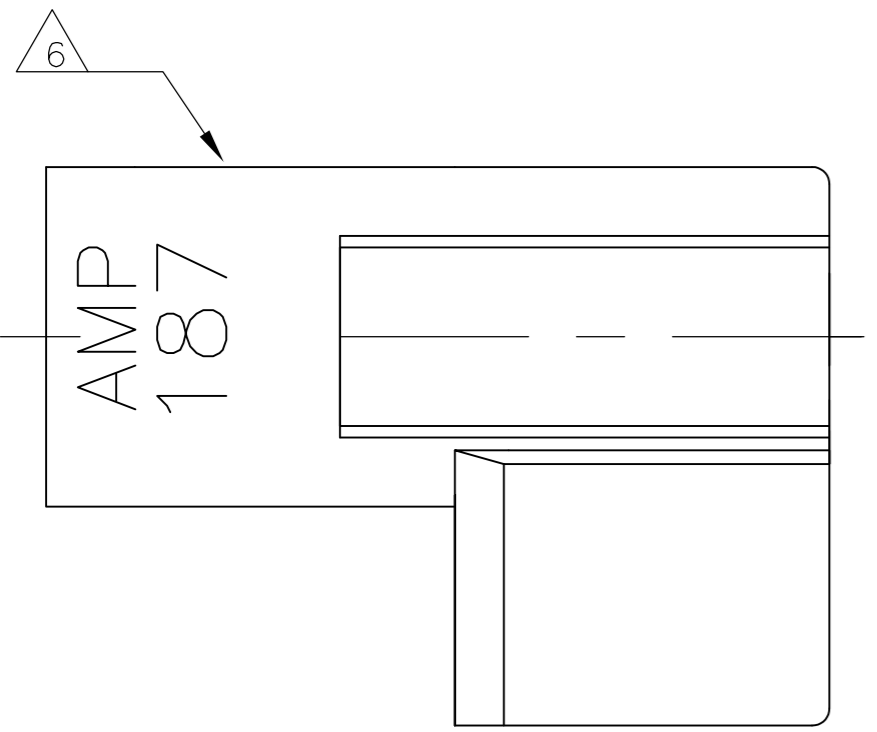
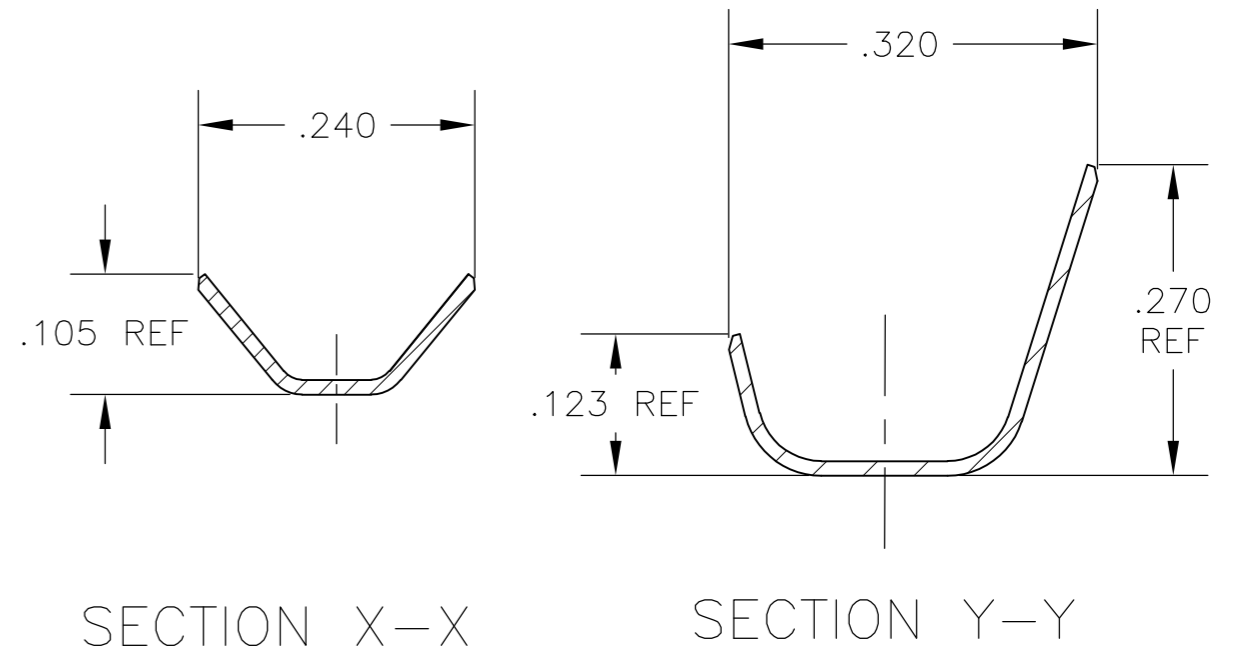


THIS DRAWING IS UNPUBLISHED. RELEASED FOR PUBLICATION
 © COPYRIGHT - By - ALL RIGHTS RESERVED.

LOC		DIST		REVISIONS			
P	LTR	DESCRIPTION		DATE	DWN	APVD	
AF	50	J		REVISED PER ECR-12-013062	17DEC12	KH KR	



- 2 WIRE SIZES & COMBINATIONS: #18, #16, #14, (2)#20, (2)#18
- 3 INSULATION RANGE IS .110-.150 DIA OR TWO AT .110 MAX DIA.
- 4 MATERIAL;
TERMINAL: BRASS, FINISH SEE TABLE
HOUSING: 6/6 NYLON, NATURAL COLOR (WHITE)
- 5 FITS .187 X .020 THK FASTON TAB
- 6 ALTERNATIVE HOUSING FORM



THIS DRAWING IS A CONTROLLED DOCUMENT.		DWN	JR RUTH	30JUL03
DIMENSIONS: INCHES		CHK	J HUMMEL	24JUL03
TOLERANCES UNLESS OTHERWISE SPECIFIED:		APVD	KRISTY YI	24JUL03
0 PLC	± -	PRODUCT SPEC	108-2215	
1 PLC	± -	APPLICATION SPEC	114-2124	
2 PLC	± -	WEIGHT	-	
3 PLC	± .010	CUSTOMER DRAWING	SCALE 6:1 SHEET 1 of 1 REV J	
4 PLC	± -			
ANGLES	± -			
FINISH	SEE NOTES			

.000040 MIN TIN PLATE	521597-2
NO PLATING	521597-1
TERMINAL: FINISH	PART NO.

TE TE Connectivity

ASSEMBLY, RECPT, FLAG, ULTRA-POD, .187 SERIES
18-14 AWG, VO HOUSING

SIZE: A2 CAGE CODE: 00779 DRAWING NO: 521597 RESTRICTED TO: -

单击下面可查看定价，库存，交付和生命周期等信息

[>>TE Connectivity\(泰科\)](#)