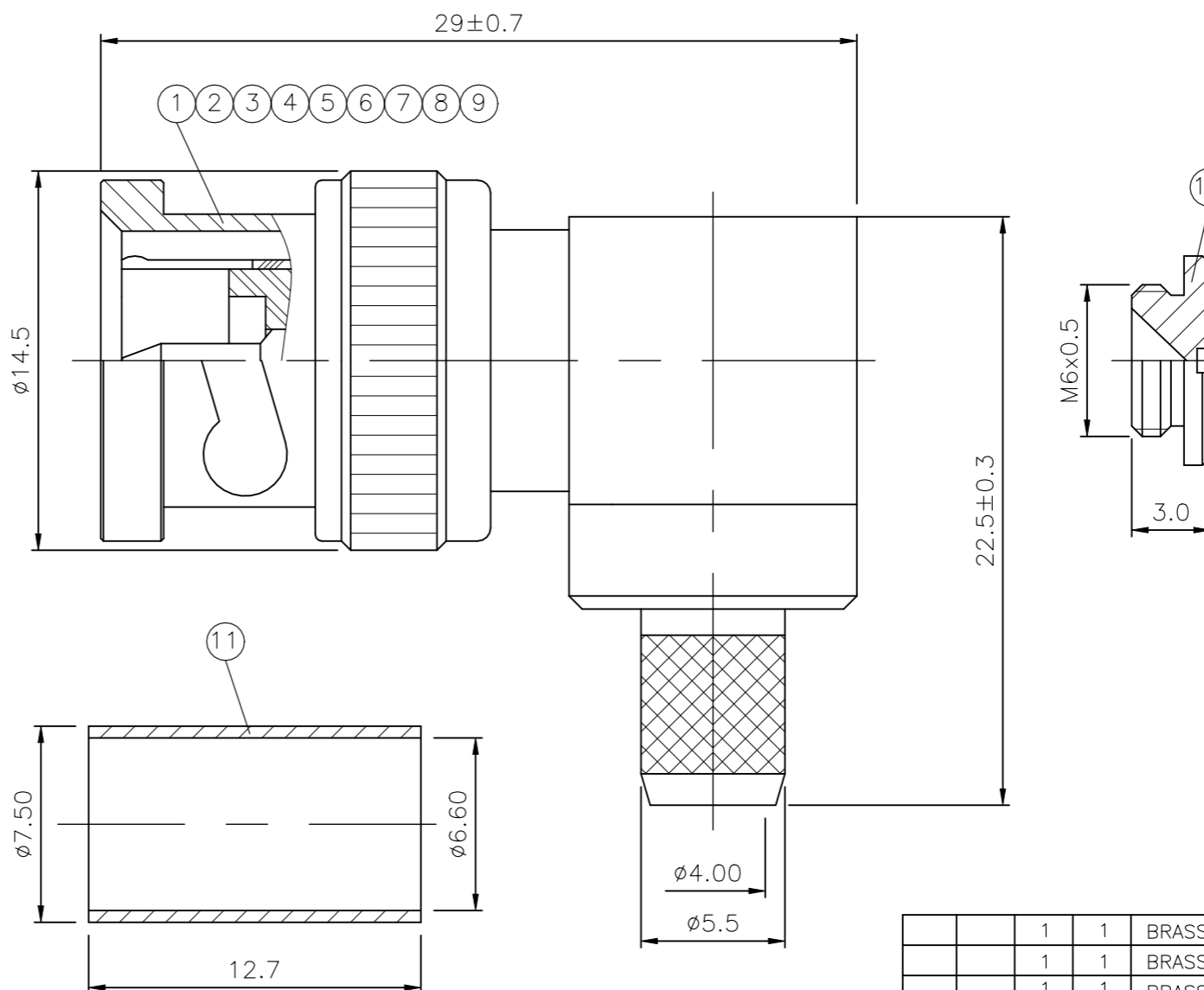


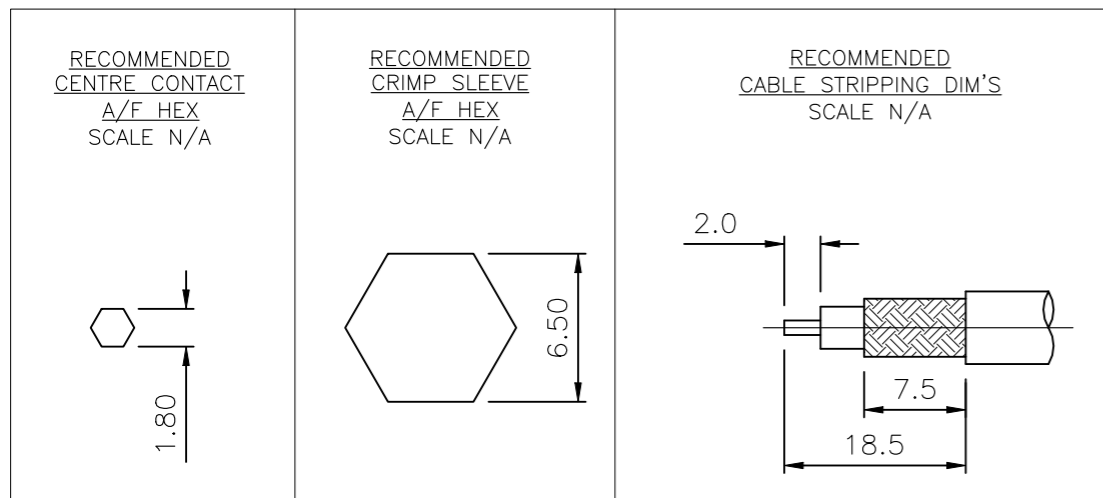
P	LTR	DESCRIPTION	DATE	DWN	APVD
E		REVISED PER ECR-16-012823	21OCT2021	RZ	WK

NOTES:

- 1 PACK IN ACCORDANCE WITH TE SPEC 107-3275
- 2 100 TRAY PACK IN ACCORDANCE WITH TE SPEC 107-3275
- 3 Ag PLATING
- 4 Ni PLATING
- 5 THIS ITEM MUST BE WHITE
- 6 HAND TOOL : 9-1478240-0
- 7 DIE SET : 9-1478242-0
- 8 ELECTRICAL CHARACTERISTICS  
 FREQUENCY RANGE: DC - 1 GHz  
 NOMINAL IMPEDANCE: 75 Ohm  
 INSULATION RESISTANCE: 5000 MOhm  
 WORKING VOLTAGE: 500 Volts RMS at Sea Level  
 DIELECTRIC WITHSTAND VOLTAGE: 1500 Volts RMS Max  
 CONTACT RESISTANCE:  
 CENTRE CONTACT: 1.50 mOhm Max  
 OUTER CONTACT: 1 mOhm Max  
 VSWR: 1.3:1 Max @ 0.3 GHz  
 INSERTION LOSS dB: 0.2 dB Max @ 0.3 GHz
- 9 MECHANICAL CHARACTERISTICS  
 COUPLING RETENTION FORCE: 170N Min  
 CABLE RETENTION FORCE: 170N Min  
 DURABILITY: 500 Cycles Min
- 10 ENVIRONMENTAL CHARACTERISTICS  
 OPERATING TEMPERATURE: -65 to +165 DegC
- 11 FOR TECHNICAL DATA REFER TO YOUR LOCAL TYCO ELECTRONICS SALES OFFICE
- 12 ALL DIMENSIONS ARE NOMINAL FOR REFERENCE ONLY UNLESS OTHERWISE STATED



QTY	REV	MATERIAL	DESCRIPTION	ITEM
1	1	BRASS	FERRULE	11
1	1	BRASS	NUT	10
1	1	BRASS	BODY	9
1	1	BRASS	BODY	8
1	1	BRASS	BODY	7
1	1	STEEL	RING	6
1	1	STEEL	SPRING RING	5
1	1	STEEL	C-RING	4
1	1	SILICONE	GASKET	3
1	1	PTFE	INSULATION	2
1	1	BRASS	SHELL	1
6--0	1--0	MATERIAL	DESCRIPTION	ITEM



THIS DRAWING IS A CONTROLLED DOCUMENT.		DWN RITA ZUO 28 OCT 2009
DIMENSIONS: mm		CHK ANSON MA 28 OCT 2009
TOLERANCES UNLESS OTHERWISE SPECIFIED:		APVD BOB ZHAO 28 OCT 2009
0 PLC	± -	PRODUCT SPEC
1 PLC	± 0.2	APPLICATION SPEC
2 PLC	± 0.1	411-3247
3 PLC	± -	WEIGHT 0.000000
4 PLC	± -	CUSTOMER DRAWING
ANGLES	± -	
FINISH	-	
MATERIAL	SEE TABLE	

<b>STE</b> TE Connectivity			
NAME: BNC ELBOW PLUG CRIMP 75 OHM RG59B/U, 62A/U, 140/U, 210/U, URM90, KX6A, KX25,			
SIZE	CAGE CODE	DRAWING NO	RESTRICTED TO
A3	00779	C-1337438	-
SCALE NTS		SHEET 1 OF 1	REV E

单击下面可查看定价，库存，交付和生命周期等信息

[>>TE Connectivity\(泰科\)](#)