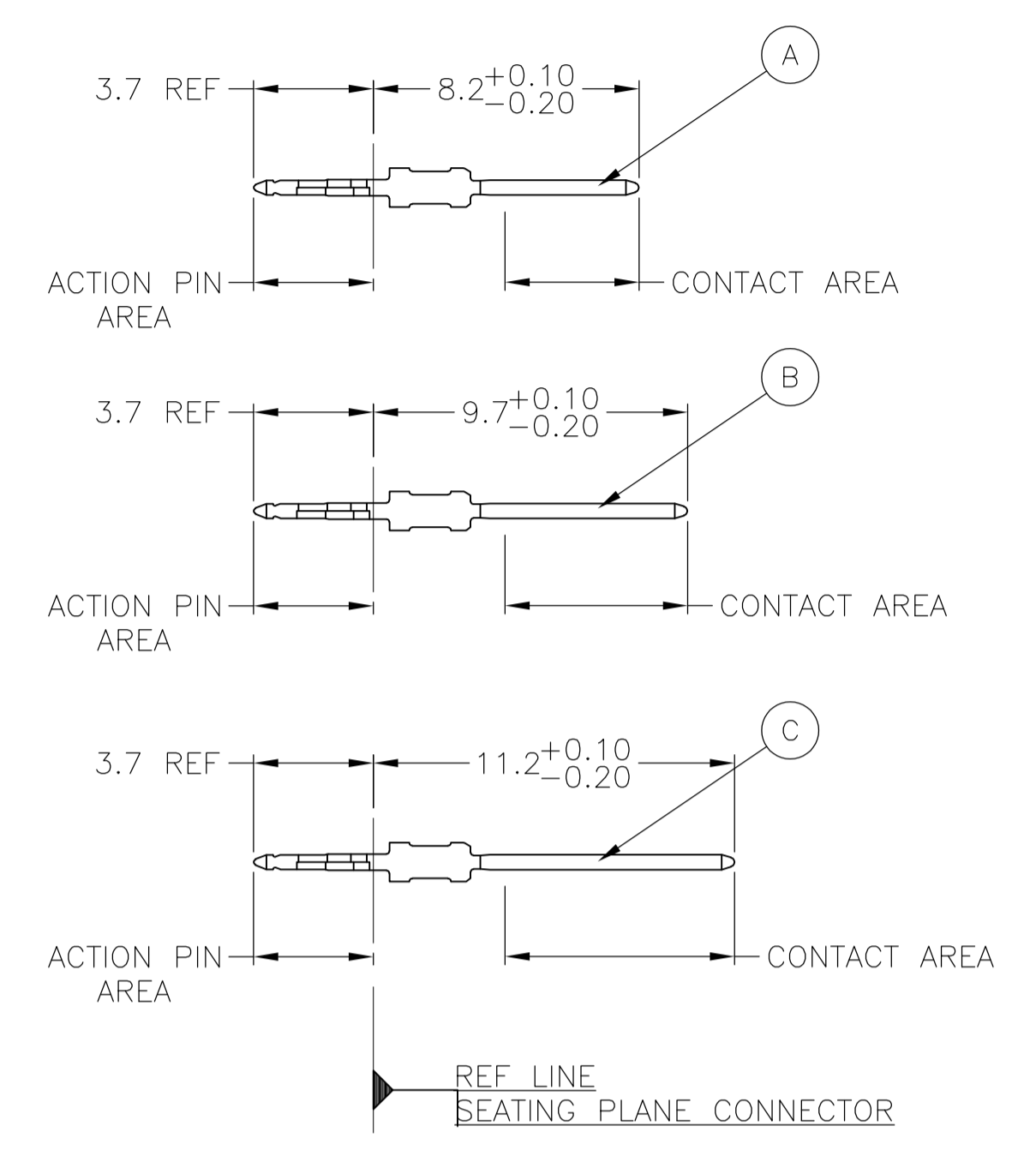


CONTACT DIMENSIONS

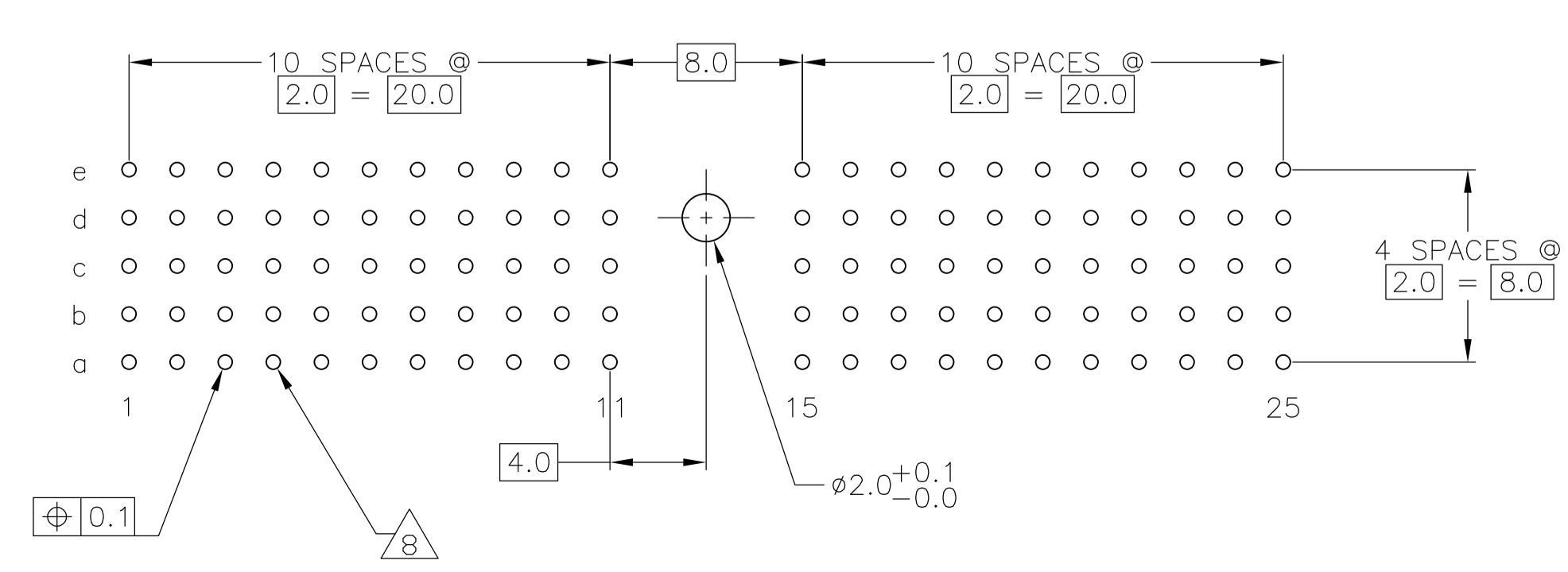
SCALE 5:1



CONTACT LAYOUT

	z	a	b	c	d	e	f
1		C	B	B	B	C	
2		A	A	A	A	A	
3		A	A	A	A	A	
4		A	A	A	A	A	
5		A	A	A	A	A	
6		A	A	A	A	A	
7		A	A	A	A	A	
8		A	A	A	A	A	
9		A	A	A	A	A	
10		A	A	A	A	A	
11		A	A	A	A	A	
MULTI PURPOSE CENTER							
15		A	A	A	A	A	
16		A	A	A	A	A	
17		A	A	A	A	A	
18		A	A	A	A	A	
19		A	A	A	A	A	
20		A	A	A	A	A	
21		A	A	A	A	A	
22		A	A	A	A	A	
23		A	A	A	A	A	
24		A	A	A	A	A	
25		C	B	B	B	C	

RECOMMENDED PCB-HOLE LAYOUT COMPONENT SIDE SHOWN



PLATED THRU HOLES PARAMETERS

REFERENCE APPLICATION SPECIFICATION

2	6	14	1-5188731-9
2	5	14	5188731-9
2	4		5188731-4
2	3		5188731-1
FINISH			PART NUMBER

THIS DRAWING IS A CONTROLLED DOCUMENT.

DIMENSIONS: mm

TOLERANCES UNLESS OTHERWISE SPECIFIED: ±0.2

MATERIAL: 1

FINISH: SEE TABLE

DIN: B. CARBO, GSKIPPER

OSMAYOS: GSKIPPER

NAME: Tyco Electronics

Tyco Electronics Corporation
Harrisburg, Pa 17105-3608

MALE ASSEMBLY, Z-PACK 2mm HM, TYPE A

108-19082

114-19029

SIZE: A1

SCALE: 4:1

SHEET: 1 of 2

REV: B

CUSTOMER DRAWING

LOC		DIST		REVISIONS				
P	LTR	DESCRIPTION	DATE	DN	APVD			
AD	00	SEE SHEET 1	-	-	-			

- 1 MATERIAL:
CONTACT: PHOSPHOR BRONZE.
HOUSING: GLASS-FILLED POLYESTER.
- 2 GENERAL PLATING SPECIFICATION: UNDERPLATING
(ENTIRE CONTACT): 1.27µm MIN NICKEL AND ACTION
PIN: 0.5µm MIN TIN.
FOR PLATING OF MATING SURFACES SEE APPLICABLE
SPECIFICATION REFERENCE FOR EACH DASH NUMBER.
- 3 CONFORMS TO ALL TESTING ACCORDING TO IEC 61076-4-101
PERFORMANCE LEVEL 2.
- 4 CONFORMS TO ALL TESTING ACCORDING TO IEC 61076-4-101
PERFORMANCE LEVEL 1.
- 5 CONNECTOR TESTED AND QUALIFIED AGAINST TELCORDIA GR-1217-CORE QUALITY LEVEL 3,
CENTRAL OFFICE APPLICATIONS.
- 6 CONNECTOR TESTED AND QUALIFIED AGAINST TELCORDIA GR-1217-CORE QUALITY LEVEL 3,
UNCONTROLLED ENVIROMENT APPLICATIONS.
- 7 CONNECTOR MARKED WITH PART NUMBER AND DATE CODE.
ADDITIONAL CHARACTERS OR MARKINGS, AS WELL AS THE LOCATION OF THE MARKINGS,
MAY BE ADDED FOR TRACEABILITY BASED UPON MANUFACTURERS DISCRETION.
- 8 PLATED-THROUGH HOLES AT 2x2mm SQUARE GRID
PATTERN DEFINED BY CONTACT LAYOUT.
- 9 FOR ACTUAL PIN LOADING SEE "CONTACT LAYOUT".
- 10 FOR ACTUAL PIN DIMENSIONS SEE "CONTACT DIMENSIONS".
- 11 TO BE MEASURED AT BOTTOM OF SHROUD.
- 12 POLARIZATION FEATURE.
- 13 AREA RESERVED FOR KEYING PART (BASIC P/N 100525)
- 14 CONNECTOR LUBRICATED WITH BELCORE APPROVED LUBRICANT,
TECHNICAL REFERENCE: TR-NWT-001217 ISSUE 1, SEP 1992.

THIS DRAWING IS A CONTROLLED DOCUMENT.		DIN B CARBO DSMAY05		Tyco Electronics Corporation Harrisburg, Pa 17105-3608	
DIMENSIONS: mm		TOLERANCES UNLESS OTHERWISE SPECIFIED: 0-PLC ± 1-PLC ±0.1 2-PLC ± 3-PLC ± 4-PLC ± ANGLES		G.SKIPPER DSMAY05	
		APVD G.SKIPPER DSMAY05		NAME	
MATERIAL SEE SHEET 1		FINISH SEE SHEET 1		PRODUCT SPEC 108-19082	
WEIGHT		APPLICATION SPEC 114-19029		MALE ASSEMBLY, Z-PACK 2mm HM, TYPE A	
CUSTOMER DRAWING		SCALE 4:1		SHEET 2 OF 2	
		SIZE A1		DRAWING NO. 00779	
		C=5188731		RESTRICTED TO	

单击下面可查看定价，库存，交付和生命周期等信息

[>>TE Connectivity\(泰科\)](#)