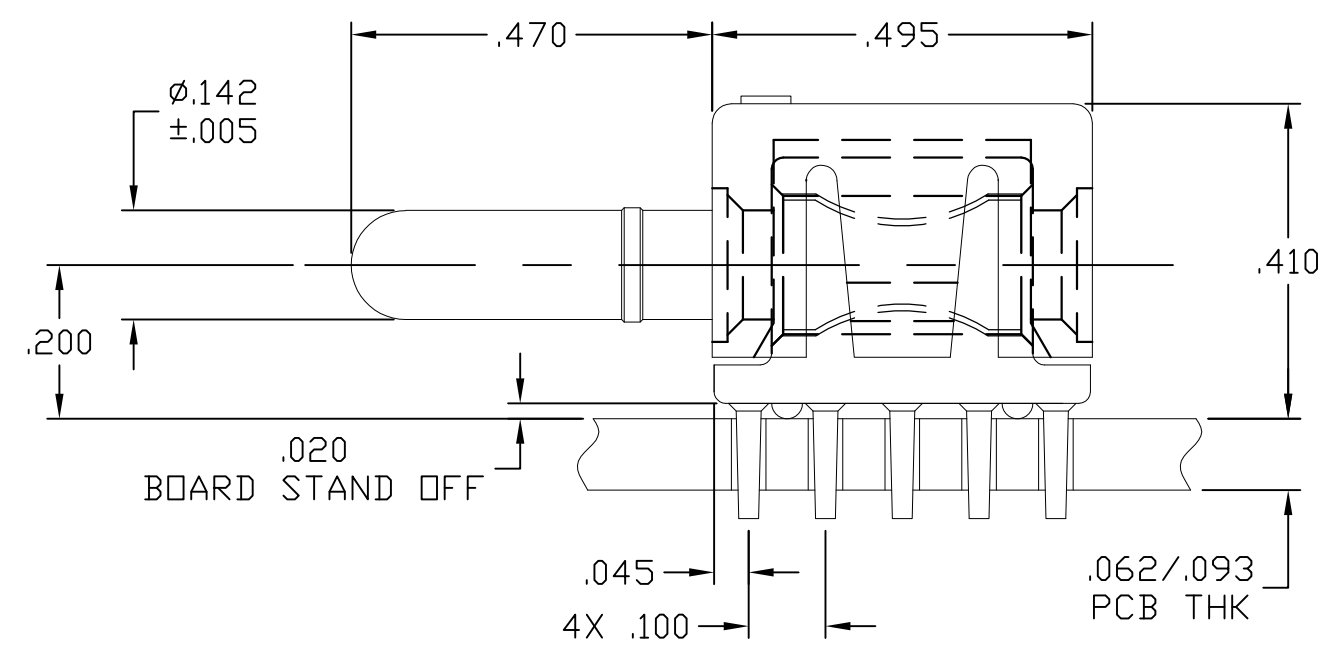
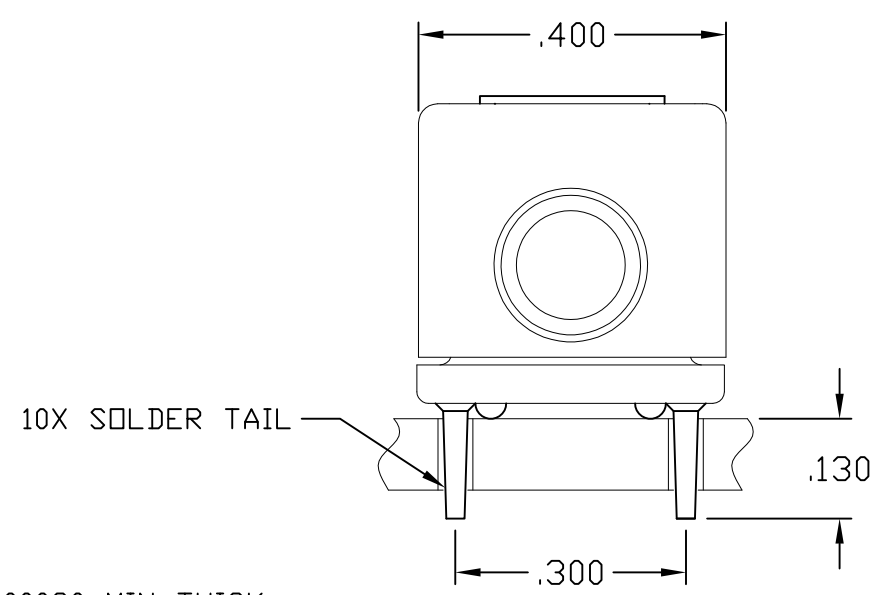
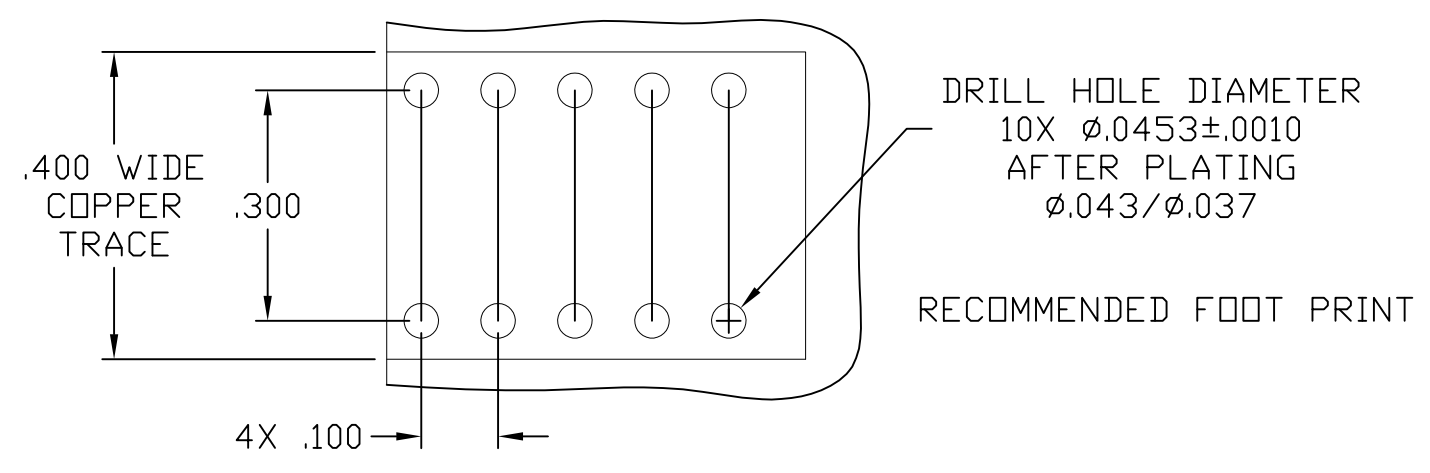


THIS DRAWING IS UNPUBLISHED. RELEASED FOR PUBLICATION  
 © COPYRIGHT - By - ALL RIGHTS RESERVED.

LOC	DIST	REVISIONS					
GP	00	P	LTR	DESCRIPTION	DATE	DWN	APVD
		C		REV PER ECO-11-007678	11MAY2011	RG	DO



4. FINISHES:  
 CROWN: GOLD PLATED, .000030 MIN THICK  
 OVER NICKEL PLATED, .000040 MIN THICK.  
 INSERT: SILVER PLATED, .000200 MIN THICK,  
 OVER NICKEL PLATED, .000040 MIN THICK.  
 CONTACT: SILVER PLATED, .000200 MIN THICK,  
 OVER NICKEL PLATED, .000040 MIN THICK.

3. MATERIALS:  
 HOUSING: THERMOPLASTIC, GLASS REINFORCED, COLOR-BLACK  
 UL94V-0 FLAMMABILITY RATED  
 INSERT: ZINC ALLOY, CASTING  
 CROWN: COPPER ALLOY  
 CONTACT: BRASS ALLOY

2. ITEMS PROVIDED TO THIS SPECIFICATION SHALL BE IDENTIFIED ON THE CONTAINER WITH THE FOLLOWING INFORMATION: PART NUMBER & DATE CODE OF MANUFACTURE.

1. INTERCHANGEABILITY REQUIRE PRIOR TE APPROVAL AND AUTHORIZATION BY REVISION TO THIS DRAWING.

5. A FIVE POUND (5lb) FORCE IS REQUIRED TO CORRECTLY SEAT THE CONNECTOR WITH PLATED THRU HOLES LESS THAN  $\phi.040$  INCH.

6643276-1  
 PART NUMBER

THIS DRAWING IS A CONTROLLED DOCUMENT.		DWN HA/GRZYBOWSKI 06/19/06	TE Connectivity			
DIMENSIONS: INCHES		CHK - 06/19/06				NAME FLICKINGER
TOLERANCES UNLESS OTHERWISE SPECIFIED:		APVD FLICKINGER 06/19/06	PRODUCT SPEC -			
0 PLC ± -		APPLICATION SPEC -	APPLICATION SPEC -			
1 PLC ± -		WEIGHT -	SIZE A3	CAGE CODE 00779	DRAWING NO C-6643276	RESTRICTED TO -
2 PLC ± .02		CUSTOMER DRAWING				
3 PLC ± .010		SCALE 4:1	SHEET 1 OF 1		REV C	
4 PLC ± -						
ANGLES ± .5						
MATERIAL -						
FINISH -						

单击下面可查看定价，库存，交付和生命周期等信息

[>>TE Connectivity\(泰科\)](#)