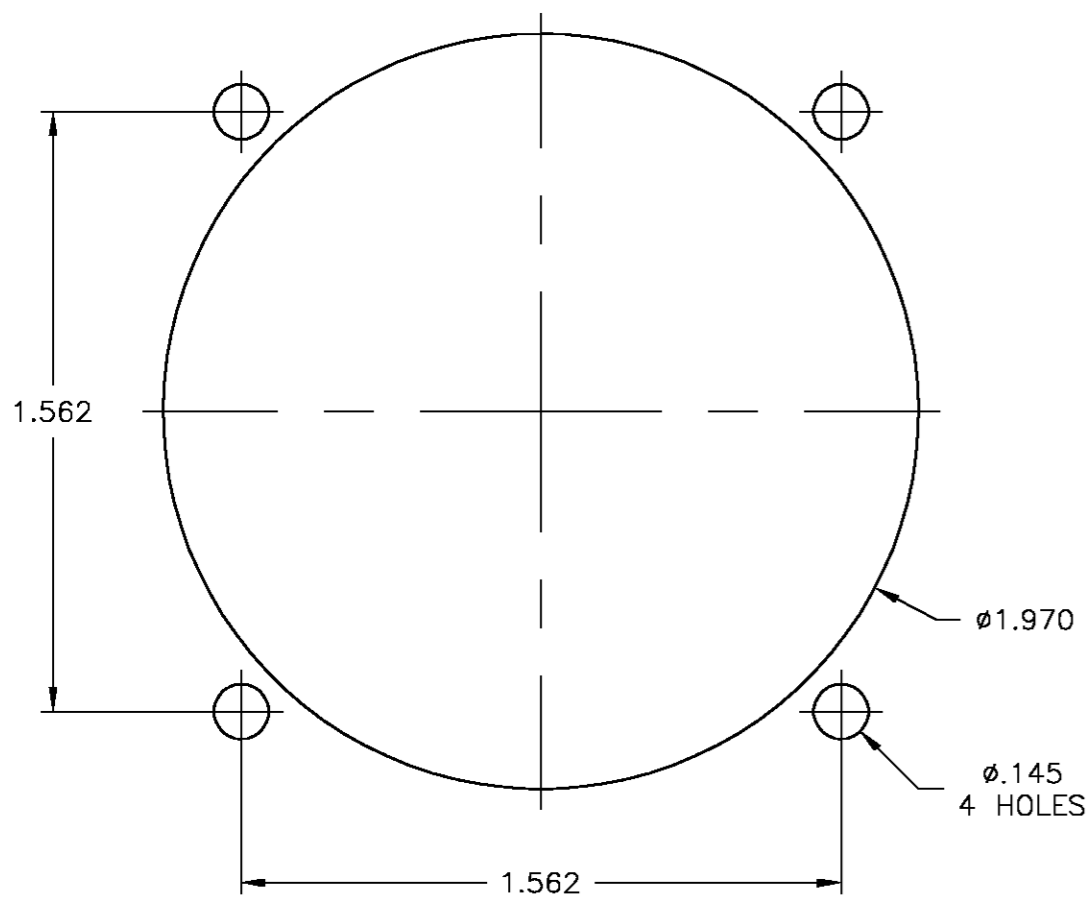
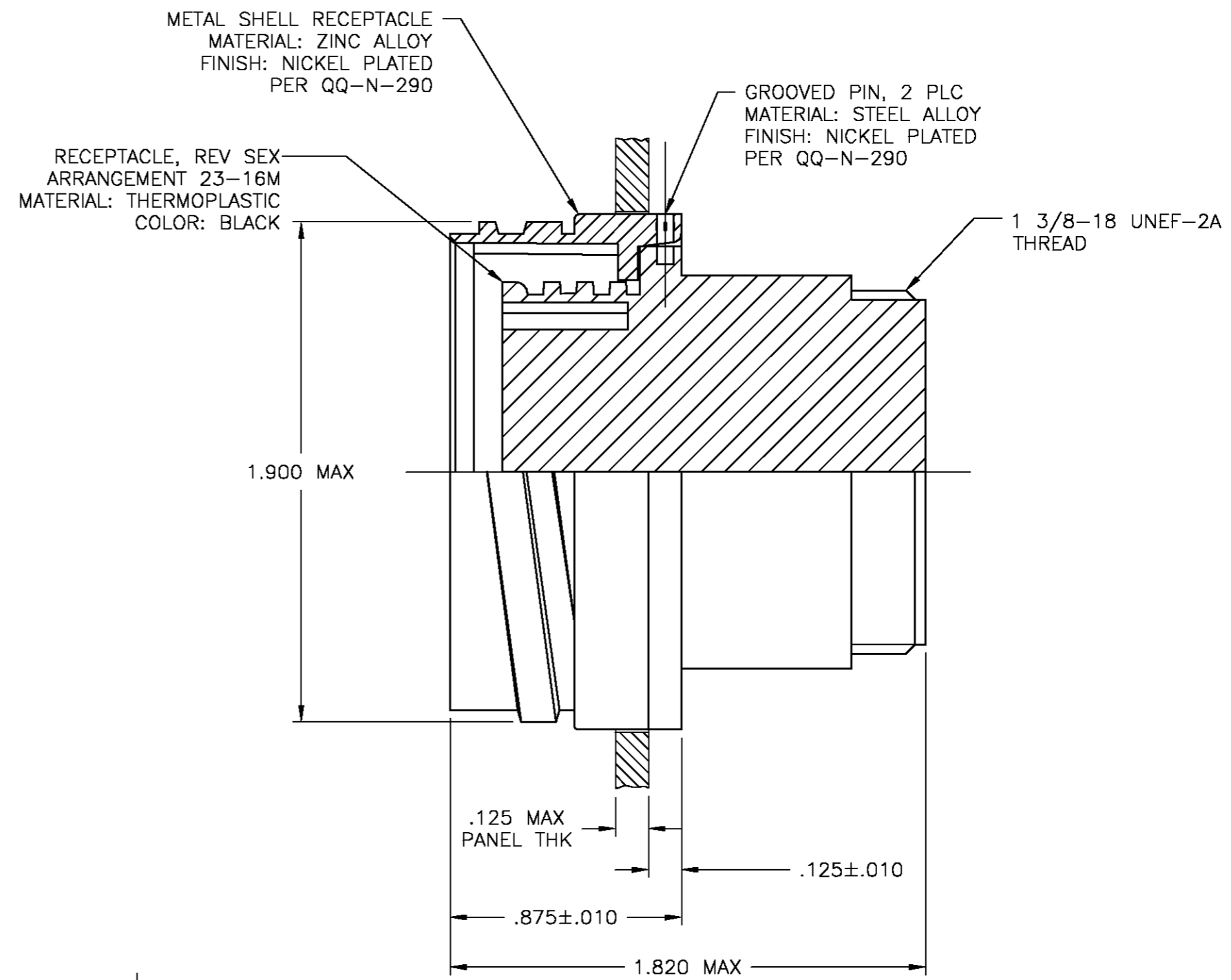
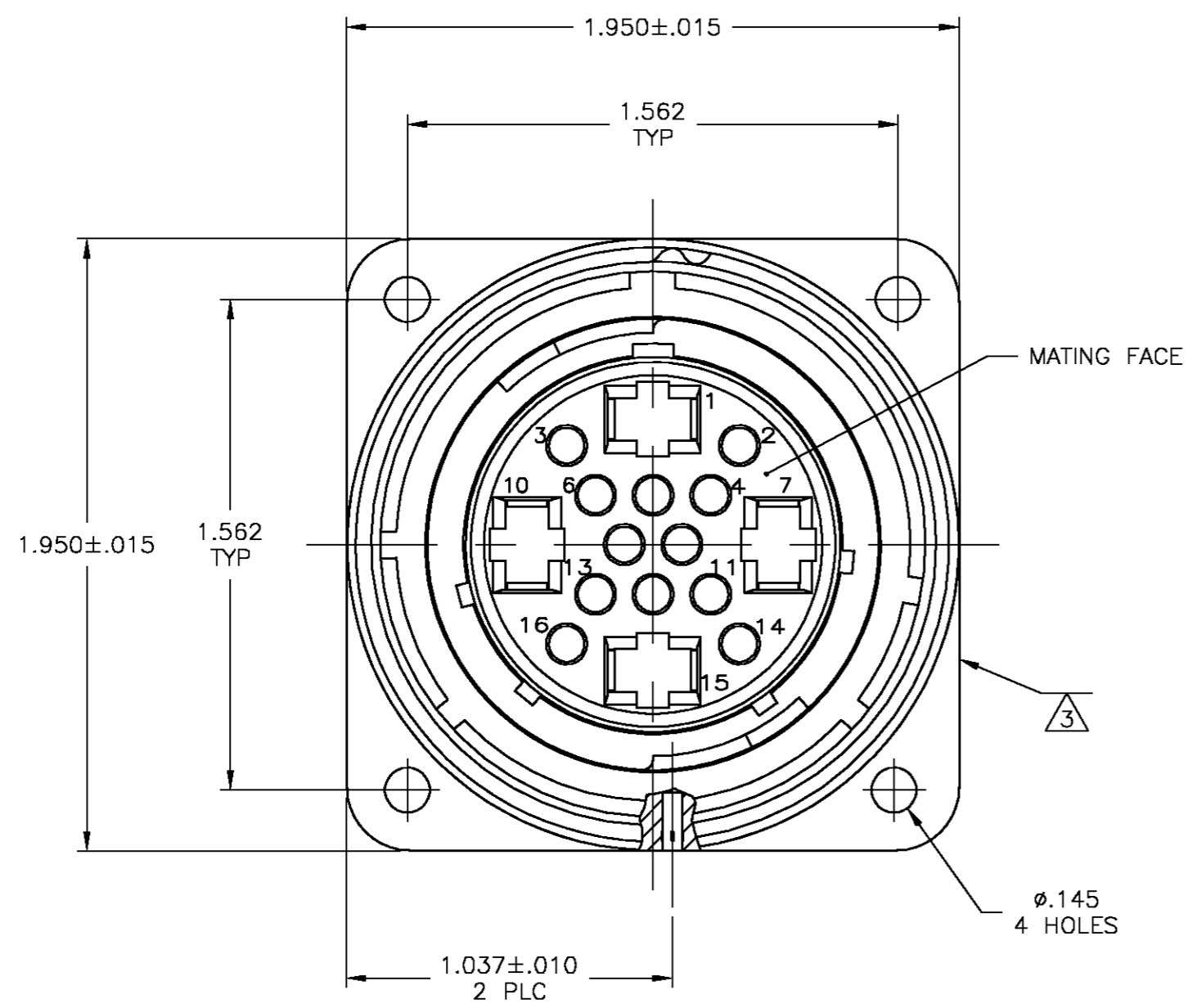
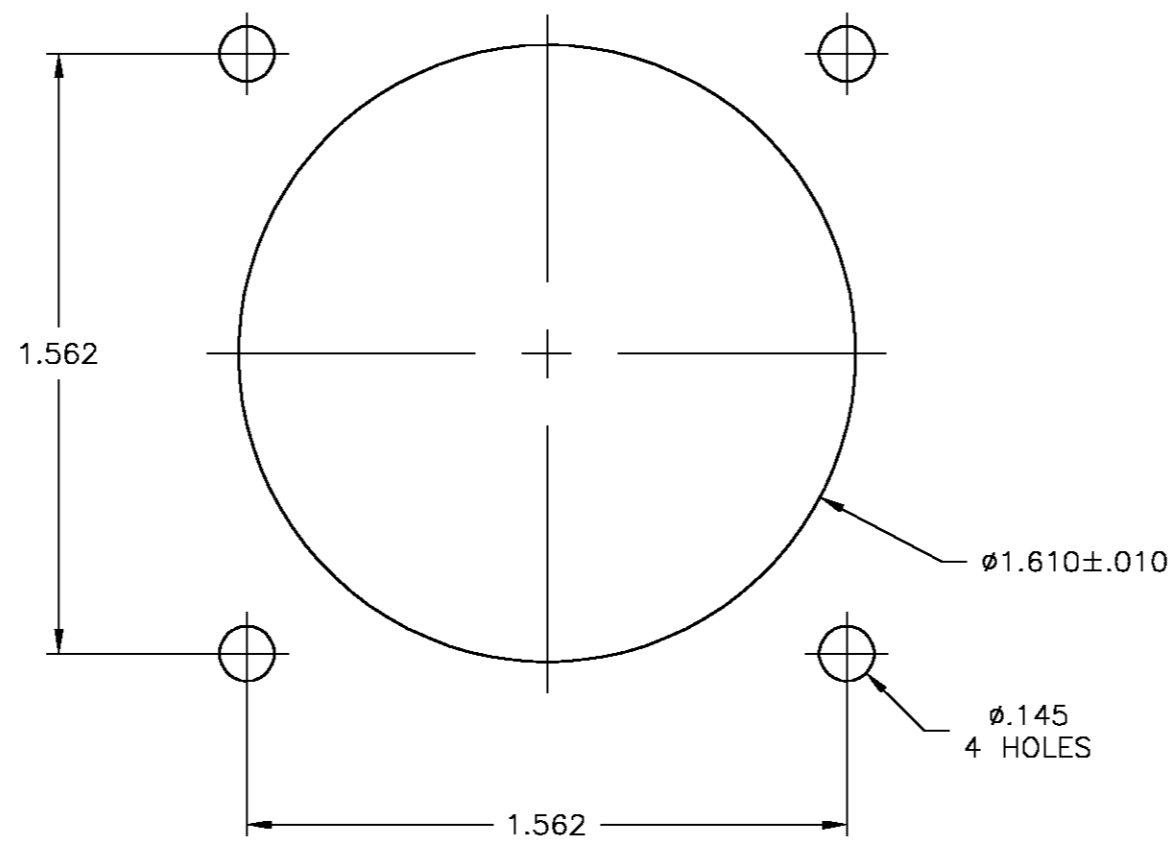


THIS DRAWING IS UNPUBLISHED. RELEASED FOR PUBLICATION
 © COPYRIGHT BY TYCO ELECTRONICS CORPORATION. ALL RIGHTS RESERVED.

LOC	DIST	REVISIONS			
P	LTR	DESCRIPTION	DATE	DWN	APVD
FT	0	0	REVISED PER 0G3B-0619-04	7/16/04	SS SH



REAR MOUNTED PANEL CUTOUT



FRONT MOUNTED PANEL CUTOUT

NOTES:

- THIS CONNECTOR ACCEPTS (12) MULTIMATE SOCKET CONTACTS AND (4) TYPE XII FEMALE CONTACTS.
 - RECEPTACLE MATES WITH 1776089-1.
- AMP PART NUMBER AND DATE CODE TO BE LOCATED ON EDGE OF FLANGE.

THIS DRAWING IS A CONTROLLED DOCUMENT.		DWN S SCHLEGEL	5/25/04	tyco Electronics Tyco Electronics Corporation Harrisburg, Pa 17105-3608	
		CHK S HEADER	5/25/04		
DIMENSIONS: INCHES		TOLERANCES UNLESS OTHERWISE SPECIFIED:		NAME RECEPTACLE ASSEMBLY, REV SEX, SERIES 1, 28-16, CMC	
		0 PLC	± -	SIZE	
		1 PLC	± -	CAGE CODE	
		2 PLC	± -	DRAWING NO	
		3 PLC	± .005	RESTRICTED TO	
		4 PLC	± -	A2 00779	
		ANGLES	± -	C=1776088	
MATERIAL		FINISH	-	SCALE	
				2:1	
				SHEET 1 OF 1	
				REV 0	
CUSTOMER DRAWING					

1776088

单击下面可查看定价，库存，交付和生命周期等信息

[>>TE Connectivity\(泰科\)](#)