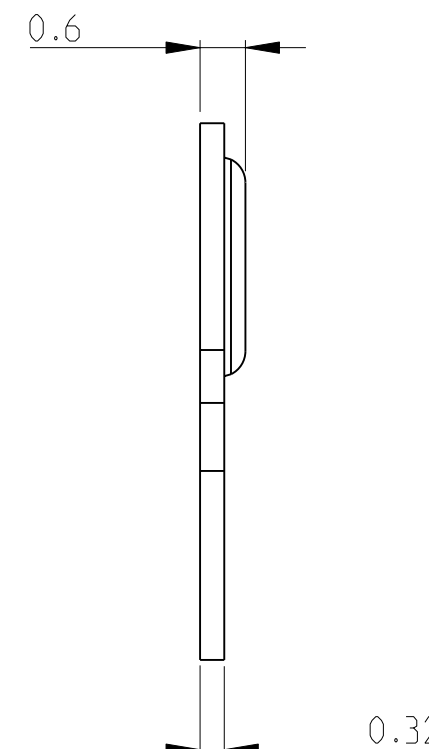
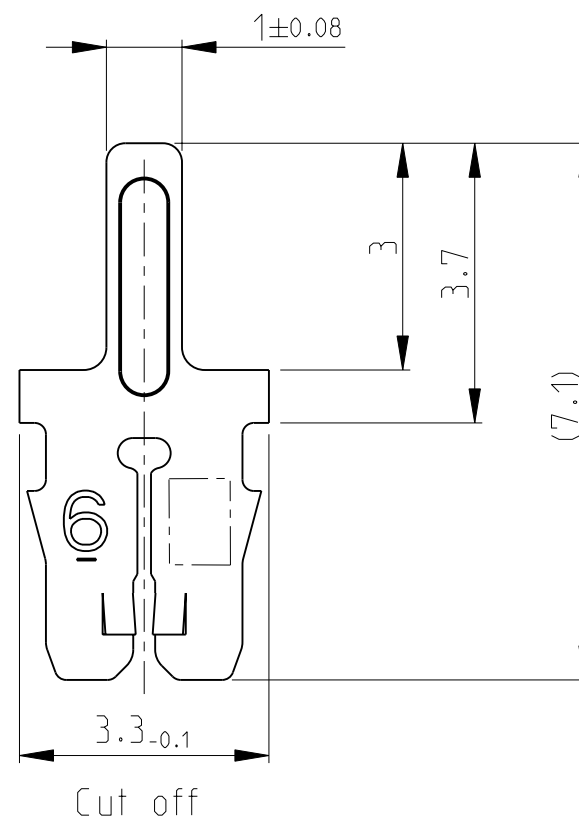
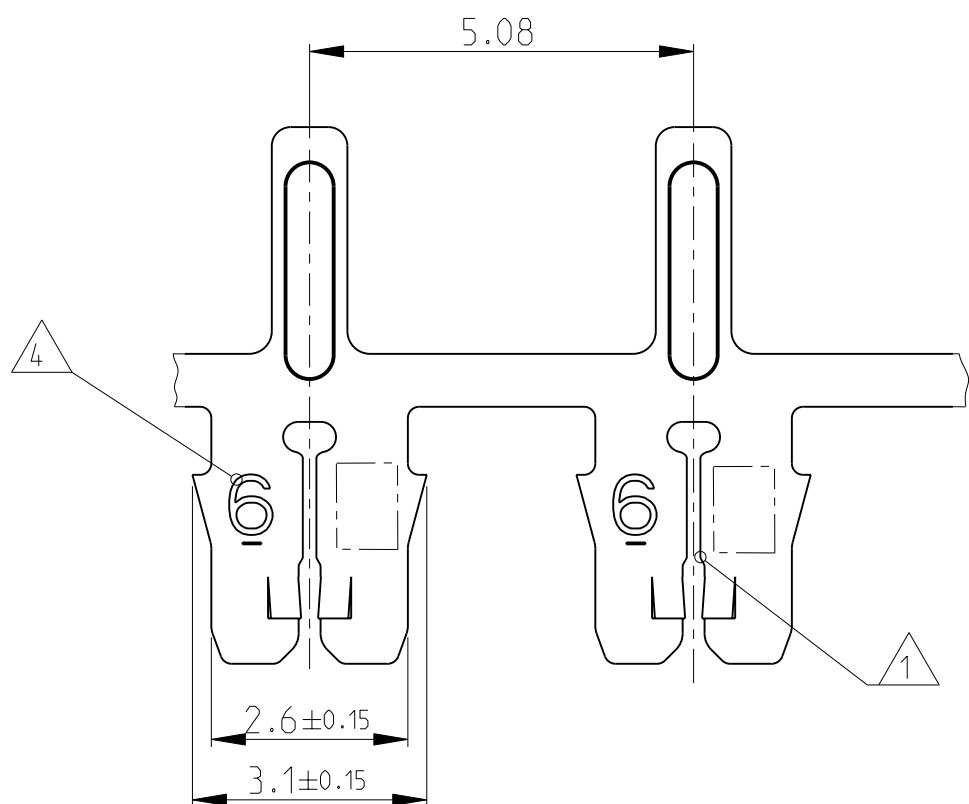


LOC	DIST	REVISIONS				
P	LTR	DESCRIPTION	DATE	DWN	APVD	
IR	-	A	INITIAL RELEASE	18JUL2011	PKS	RRP
		A1	CAVITY DWG INFO CORRECTED	29SEP2011	PKS	RRP



Bemerkungen:
NOTES

- 1 Geeignet fuer Kupferlackdraht $\varnothing 0.265...0.335\text{mm}$
Einzeldraht oder zwei Draehte gleichen Durchmessers
SLOT ACCEPTS:
SINGLE OR DOUBLE MAGNET WIRE
SAME DIAMETERS 0.265...0.335mm DIA
- 2 Anlieferungszustand: Kontakte fortlaufend mit
Papierzwiseilage auf Kunststoffspule aufgewickelt
Max. 5 Splice Stellen pro Spule
Splice Stellen nicht miteinander verbunden
DELIVERYSTATE: CONTACTS CONTINUOUS REELED WITH PAPER
INTERLAYER ON PLASTIC-REEL.
MAX. 5 SPLICES PER REEL
SPLICES BE NOT BONDED TOGETHER.
- 3 Kontaktkammer nach Zeichnung } Spec. 411-18513
CAVITY ACCORDING DWG.
- 4 Kennziffer fuer Drahtgroessenbereich (6)
IDENTIFICATION NO. FOR MAGNET WIRE RANGE (6)
- 5 Materialdicke } 0.32 ± 0.02
STOCK THICKNESS

1987500-1	A	CuSn	PRETINNED	MAG-MATE .187 mod.
PART NO	REV.	MATERIAL	SURFACE COLOR	DESCRIPTION

THIS DRAWING IS A CONTROLLED DOCUMENT.		DWN J.Kohle 28Jul08	TE Connectivity NAME MAG-MATE Kontakt mit Loetpin											
DIMENSIONS: mm		CHK S.Zabeck 30Jul08												
TOLERANCES UNLESS OTHERWISE SPECIFIED:		APVD T.Klenner 04Aug2008												
<table border="0"> <tr><td>0 PLC</td><td>± 0.2</td></tr> <tr><td>1 PLC</td><td>± 0.2</td></tr> <tr><td>2 PLC</td><td>± 0.2</td></tr> <tr><td>3 PLC</td><td>± 0.2</td></tr> <tr><td>4 PLC</td><td>± 0.2</td></tr> <tr><td>ANGLES</td><td>$\pm 1^\circ$</td></tr> </table>		0 PLC				± 0.2	1 PLC	± 0.2	2 PLC	± 0.2	3 PLC	± 0.2	4 PLC	± 0.2
0 PLC	± 0.2													
1 PLC	± 0.2													
2 PLC	± 0.2													
3 PLC	± 0.2													
4 PLC	± 0.2													
ANGLES	$\pm 1^\circ$													
MATERIAL SEE TABLE		FINISH SEE TABLE	APPLICATION SPEC	SIZE A3	CAGE CODE 00779									
		WEIGHT	-	DRAWING NO C-1987500	RESTRICTED TO									
CUSTOMER DRAWING			SCALE 10:1	SHEET 1 OF 1	REV A1									

单击下面可查看定价，库存，交付和生命周期等信息

[>>TE Connectivity\(泰科\)](#)