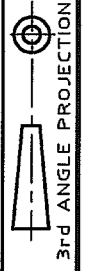


NUMBER 177665

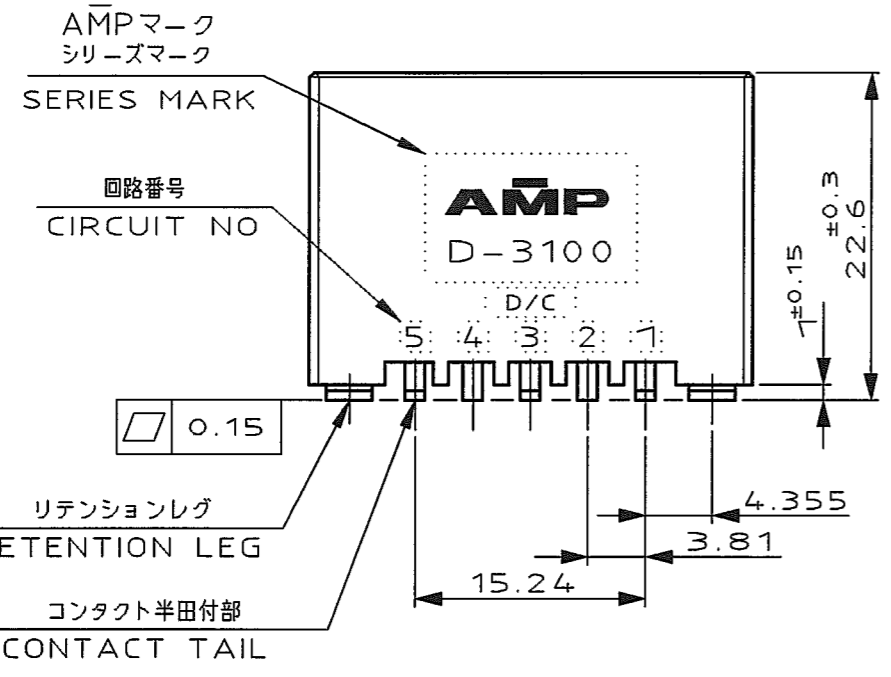
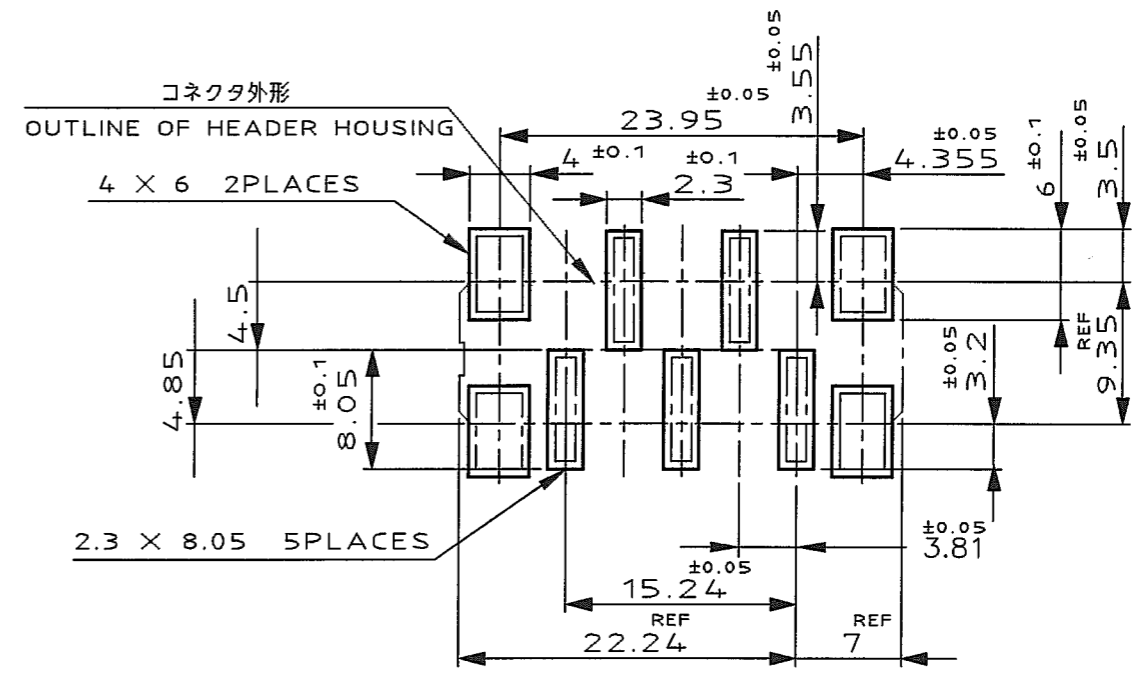
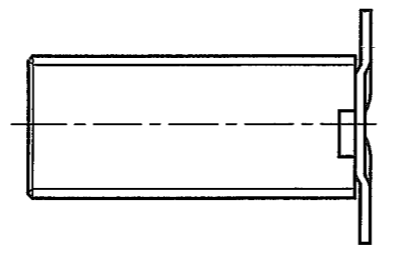
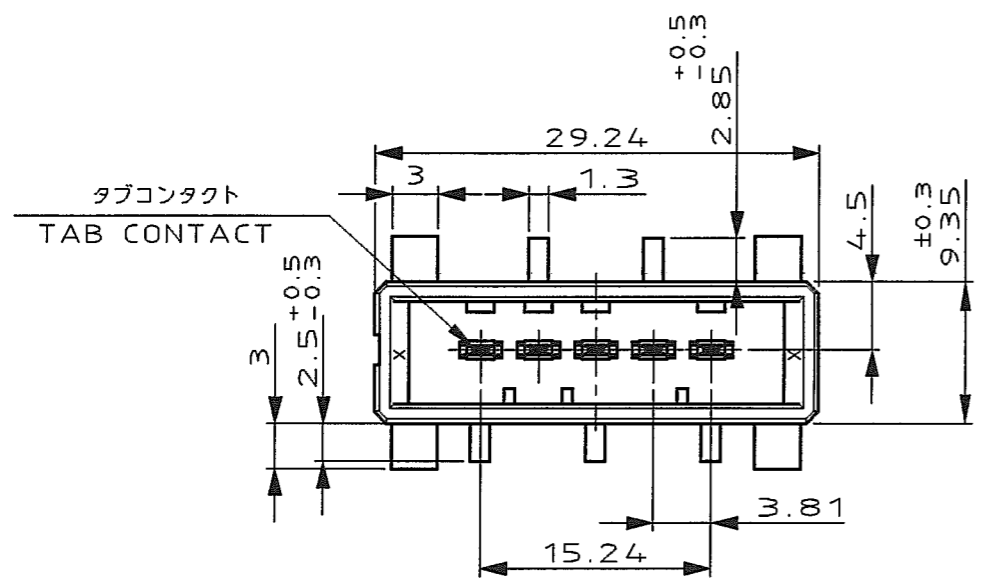


METRIC

PROJ NO.392-610

DIMENSIONS IN MILLIMETERS, DO NOT SCALE PRINT

PRINT DIST



NOTES

- 1. MATERIAL:HOUSING:GLASS FILED THERMO PLASTIC,UL94V-0  
CONTACT: COPPER ALLOY  
RETENTION LEG: COPPER ALLOY
- 2. FINISH(CONTACT AREA):0.38μmMIN GOLD PLATING OVER NI PLATING
- 3. FINISH(CONTACT AREA):0.76μmMIN GOLD PLATING OVER NI PLATING
- 4. FINISH(RETENTION LEG): TIN PLATED (SOLDER TYING) OVER NICKEL

注記

- 1. 材料:ハウジング: ガラス入り熱可塑性樹脂,UL94V-0  
コンタクト: 銅合金  
リテンションレグ: 銅合金
- 2. めっき: コンタクト接触部: ニッケル下地の上に金めっき0.38μmMIN
- 3. めっき: コンタクト接触部: ニッケル下地の上に金めっき0.76μmMIN
- 4. めっき: リテンションレグとコンタクト半田付部: ニッケル下地の上にスズめっき

△4 △3	1-177665-3
△4 △2	1-177665-2
(FINISH)	製品番号 (PART NO.)

A	REVISED(FJD0-0039-03)	TS	SM	4/2/93	
O	RELEASED (FJ00-0284-93)	NM	SM	9/30/93	
LTR	REVISION RECORD	DR	CHK	DATE	

Copyright © 1993 AMP (Japan) LTD. ALL RIGHTS RESERVED.		tyco Electronics Tyco Electronics AMP K.K. Kawasaki, Japan	
WIRE RANGE	INSULATION DIA	NAME	
mm²(AWG - )	- mmφ	5 POS SINGLE ROW SMT TYPE VERTICAL HDR ASS'Y FOR DYNAMIC 3100	
MATERIAL SEE NOTE 注記参照	FINISH SEE NOTE 注記参照	一般公差 (GENERAL TOLERANCE)	SIZE LOC NUMBER
DR. N. Matsubara 20 SEP 93	DE. N. Matsubara 20 SEP 93	10MF ±0.2	A3 J C=177665
CHK. S. MANABE 30 SEP 93	APP. S. MANABE 30 SEP 93	10MB 30MF ±0.3	SCALE REV. SHEET
		30MB 100MF ±0.4	2-1 A 1 OF 1
		角 度 : ±3'	

单击下面可查看定价，库存，交付和生命周期等信息

[>>TE Connectivity\(泰科\)](#)