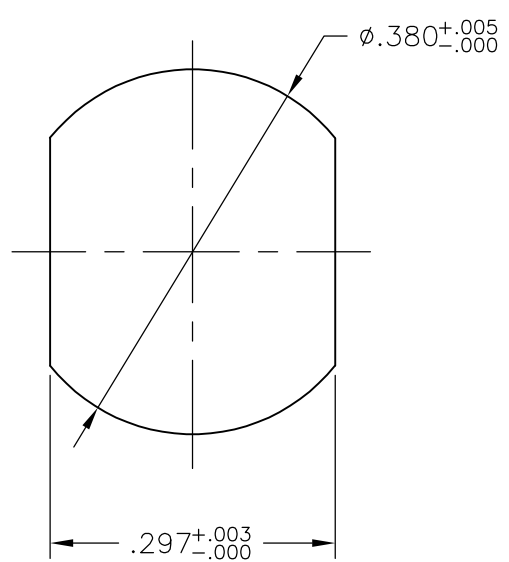
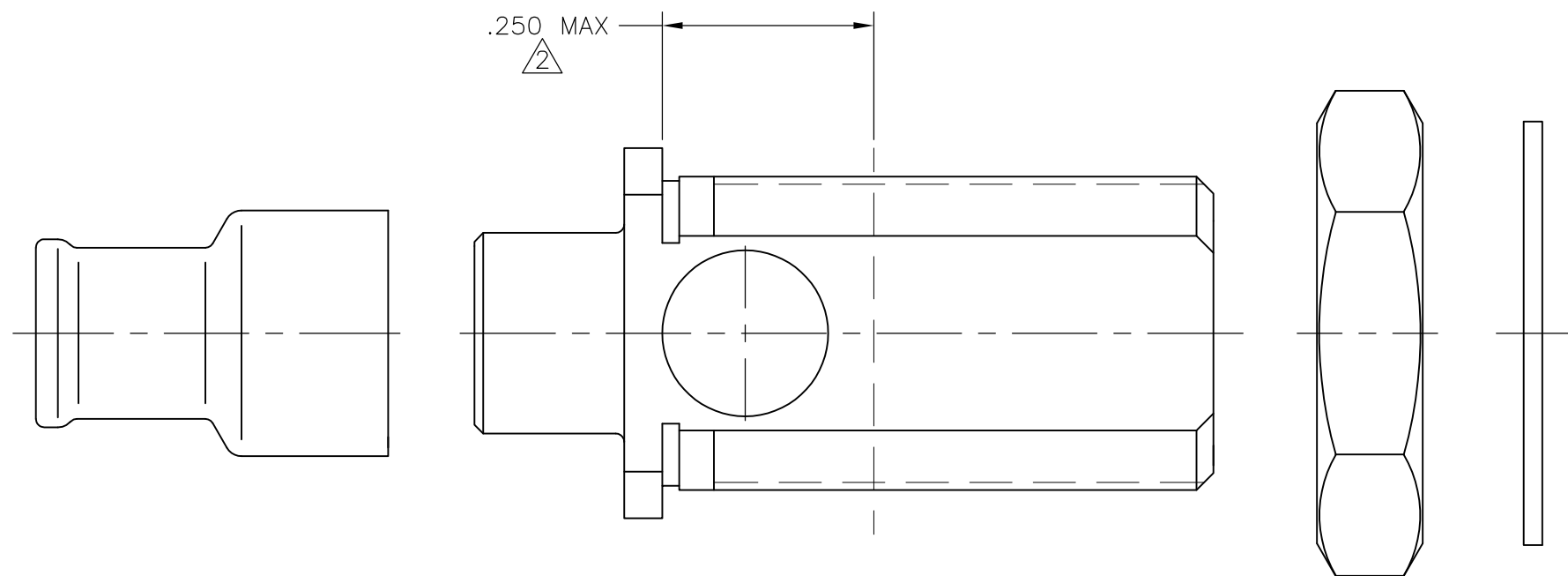


THIS DRAWING IS UNPUBLISHED. RELEASED FOR PUBLICATION
 © COPYRIGHT - By - ALL RIGHTS RESERVED.

LOC	DIST	REVISIONS			
P	LTR	DESCRIPTION	DATE	DWN	APVD
AJ	54	F	ECO-14-014419	24SEP2014	RZ MY

NOTES:

- PARTS PACKAGED UNASSEMBLED
- $\triangle 2$.250 MAX PANEL THICKNESS
- MATERIAL AND FINISH:
 BODY: BRASS, SILVER PLATING
 CENTER CONTACT: BERYLLIUM COPPER, GOLD PLATING
 DIELECTRIC: POLYPROPYLENE
 NUT: BRASS, SILVER PLATING
 LOCK WASHER: STAINLESS STEEL, SILVER PLATING
 FERRULE: BRASS, SILVER PLATING
- FOR USE WITH MICRODOT 2-3932 & 2-3934 CABLE



RECOMMENDED
PANEL CUTOUT

2-329940-1
PART NUMBER

THIS DRAWING IS A CONTROLLED DOCUMENT.		DWN RITA ZUO 24SEP2014	TE Connectivity														
DIMENSIONS: INCHES		CHK ANSON MA 24SEP2014															
TOLERANCES UNLESS OTHERWISE SPECIFIED:		APVD MARTIN YE 24SEP2014	NAME CONNECTOR, COAXIAL, R.F. TWIN THREADED SERIES RECEPTACLE														
<table border="0"> <tr><td>0 PLC</td><td>± -</td></tr> <tr><td>1 PLC</td><td>± -</td></tr> <tr><td>2 PLC</td><td>± -</td></tr> <tr><td>3 PLC</td><td>± -</td></tr> <tr><td>4 PLC</td><td>± -</td></tr> <tr><td>ANGLES</td><td>± -</td></tr> </table>		0 PLC	± -	1 PLC	± -	2 PLC	± -	3 PLC	± -	4 PLC	± -	ANGLES	± -	PRODUCT SPEC -	APPLICATION SPEC 408-1833		
0 PLC	± -																
1 PLC	± -																
2 PLC	± -																
3 PLC	± -																
4 PLC	± -																
ANGLES	± -																
MATERIAL -		FINISH -	WEIGHT -	SIZE A3	CAGE CODE 00779	DRAWING NO C-329940	RESTRICTED TO -										
CUSTOMER DRAWING			SCALE 5:1	SHEET 1 OF 1	REV F												

单击下面可查看定价，库存，交付和生命周期等信息

[>>TE Connectivity\(泰科\)](#)