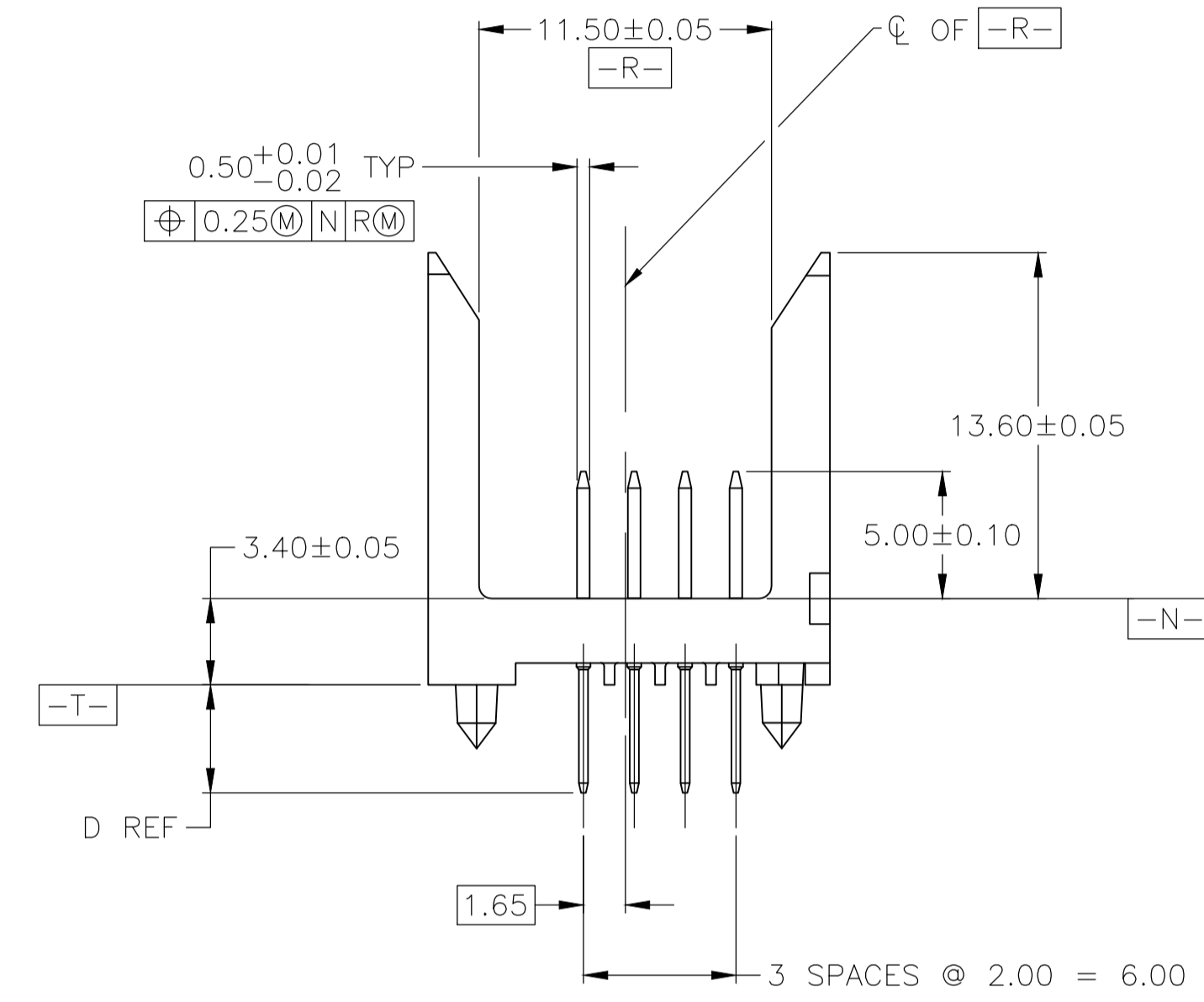
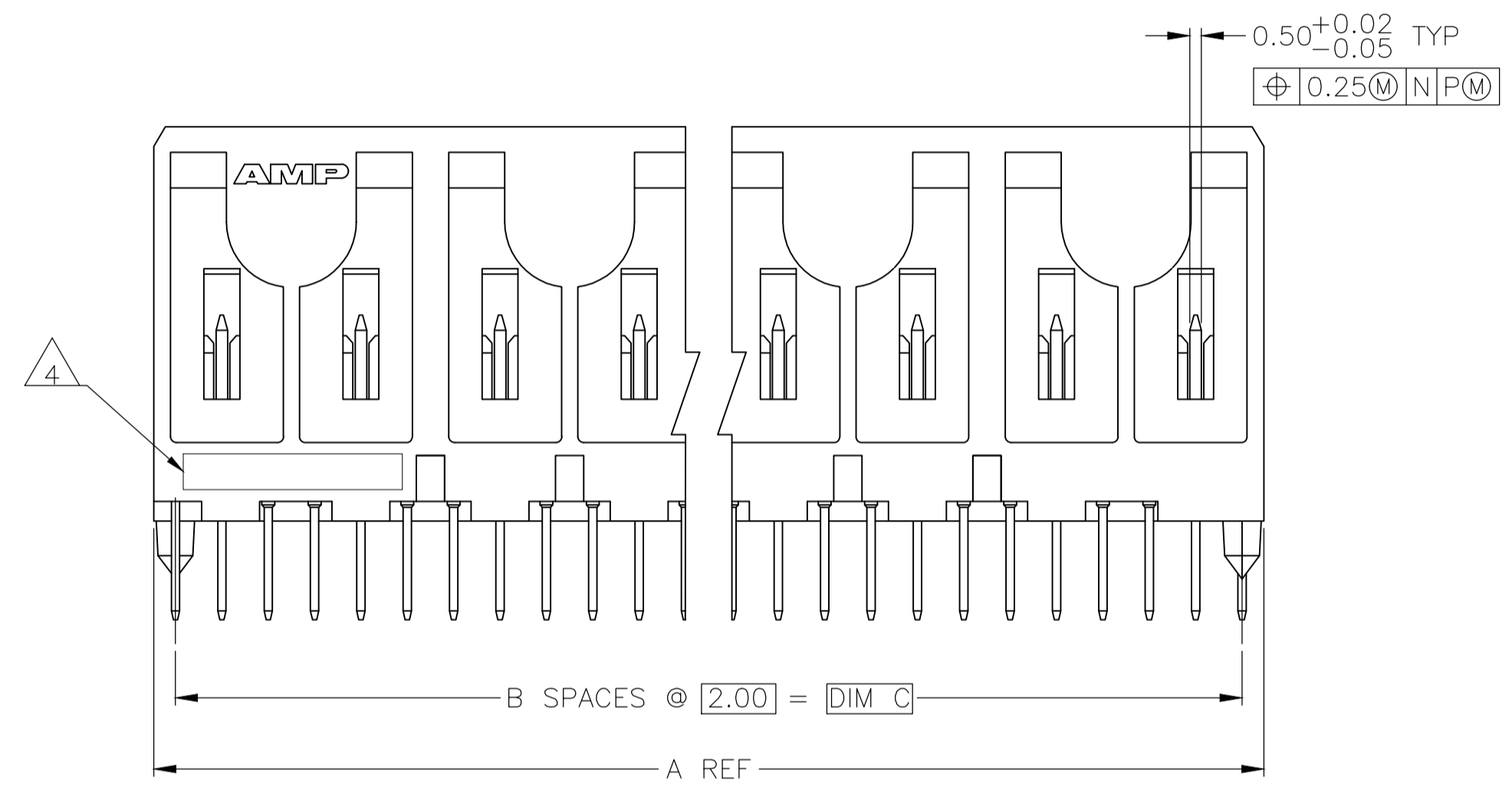
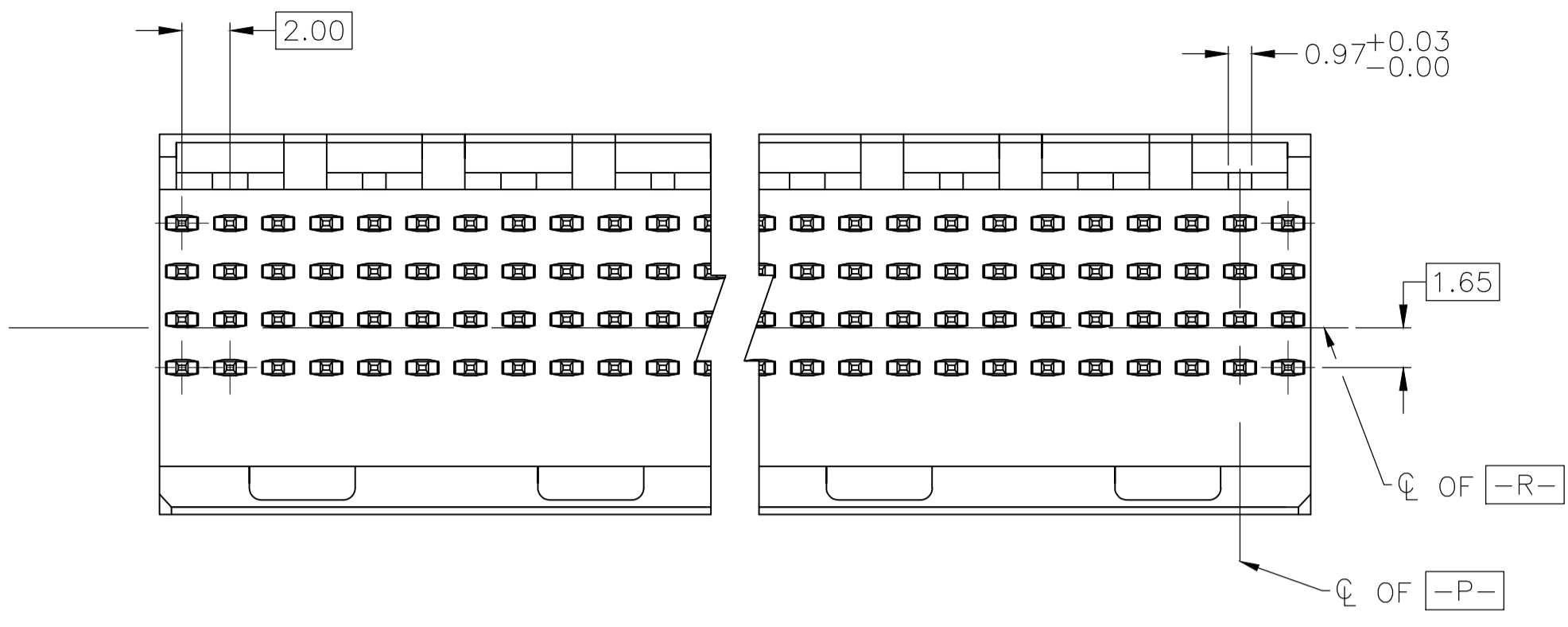
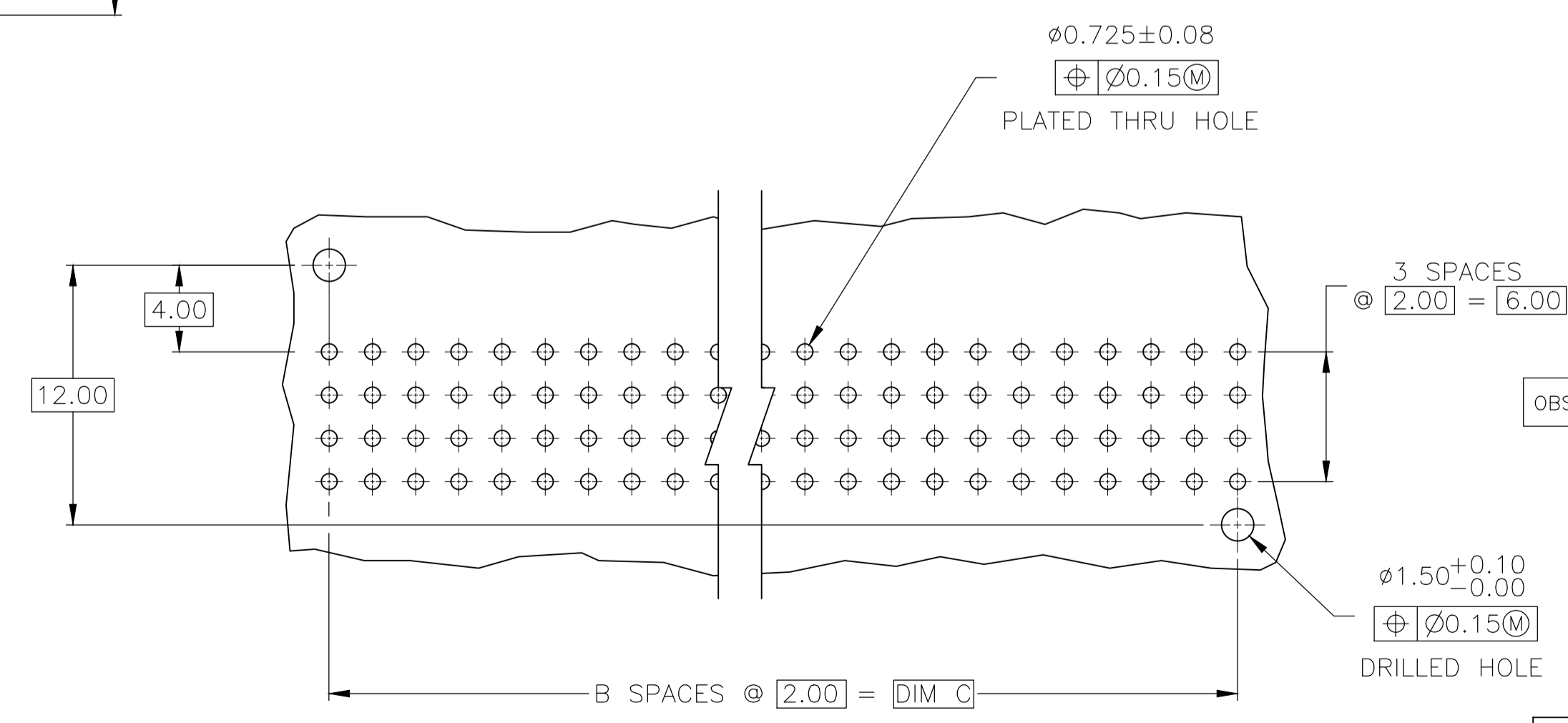
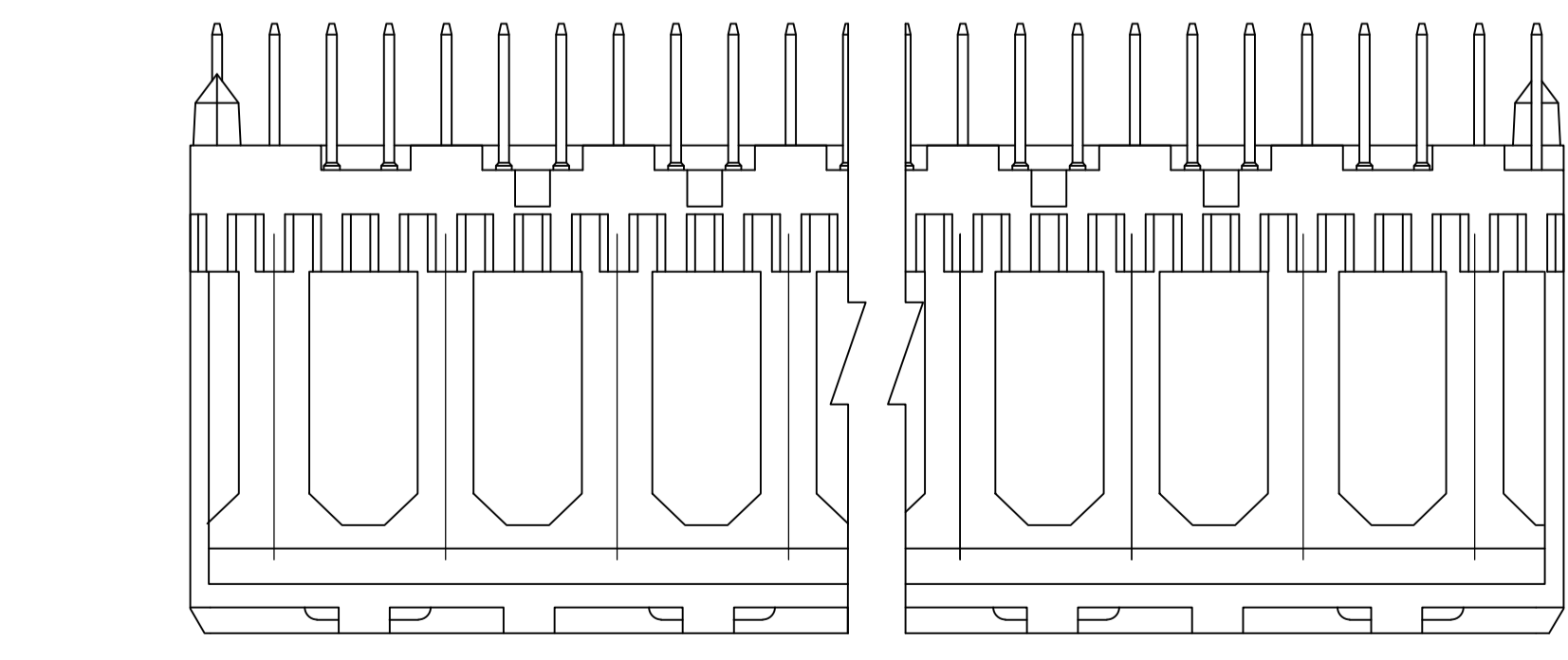
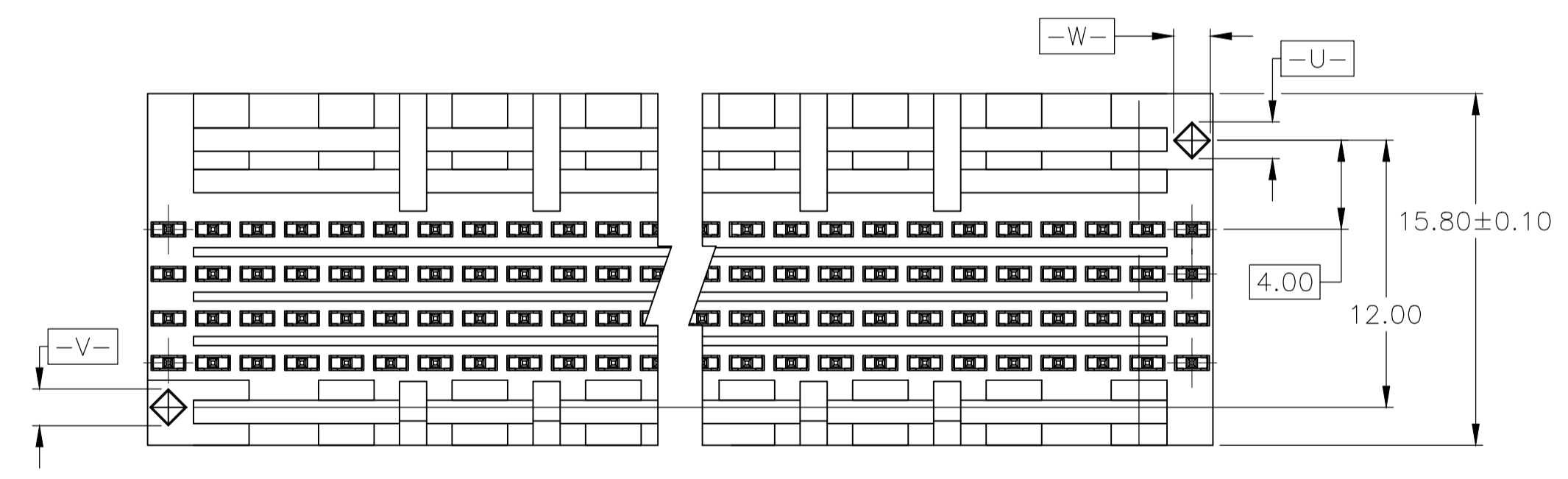
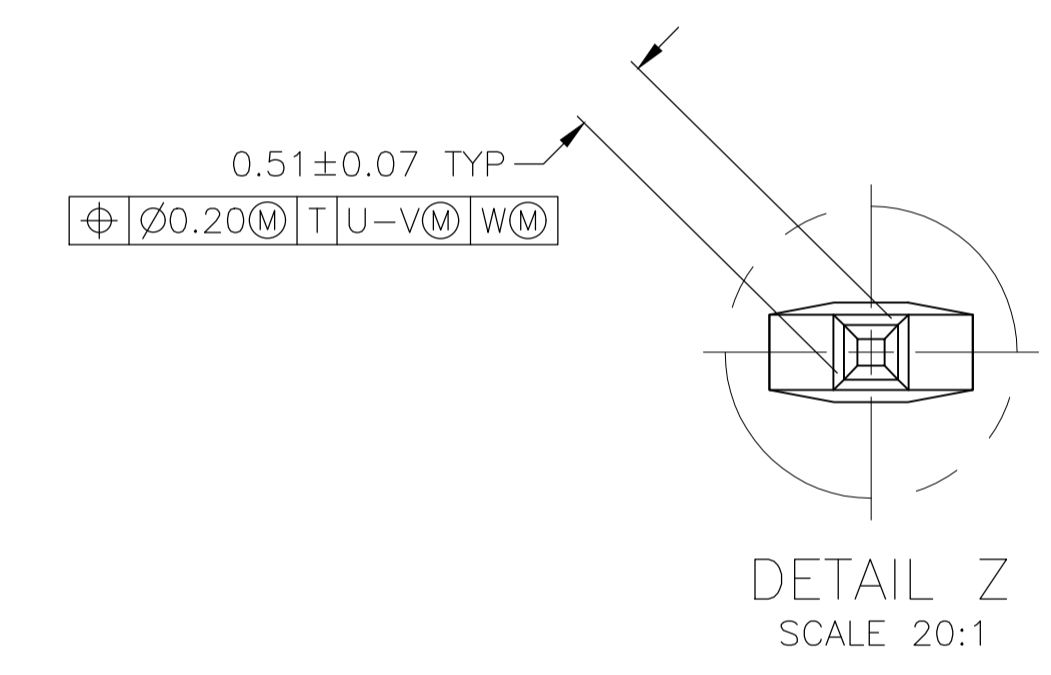


REVISIONS					
P	LTR	DESCRIPTION	DATE	DMN	APVD
A		REVISED PER ECO-20-013368	28SEP2020	RZ	HL



- 1 HOUSING MATERIAL: LIQUID CRYSTAL POLYMER PER ASTM D5138 LCP000 G30A 32250.
- 2 CONTACT MATERIAL: PHOSPHOR BRONZE.
- 3 CONTACT FINISH:
 UNDERPLATE (ENTIRE CONTACT):
 0.00127 MIN NICKEL PER SAE-AMS-QQ-N-290.
 ON MATING SURFACES:
 CONFORMS TO ALL TESTING SPECIFIED FOR TELCORDIA UNCONTROLLED ENVIRONMENT.
 ON LEADS
 0.00381 MIN TIN PER ASTM B 545 OVER UNDERPLATE.
 LUBRICATION (MIN MATING SURFACES):
 SURFACE CONDITIONER AFTER PLATING.
- 4 PART MARKING, LOCATED APPROXIMATELY AS SHOWN.
- 5 CONTACT FINISH:
 UNDERPLATE (ENTIRE CONTACT):
 0.00127 MIN NICKEL PER SAE-AMS-QQ-N-290.
 ON MATING SURFACES:
 CONFORMS TO ALL TESTING SPECIFIED FOR TELCORDIA UNCONTROLLED ENVIRONMENT.
 ON LEADS
 FLASH GOLD PER ASTM B 488 OVER UNDERPLATE.
 LUBRICATION (MIN MATING SURFACES):
 SURFACE CONDITIONER AFTER PLATING.



4.25	70.00	35	71.88	5	144	5536513-9
4.25	94.00	47	95.88	5	192	5536513-8
4.25	46.00	23	47.88	5	96	5536513-7
4.25	22.00	11	23.88	5	48	5536513-6
4.25	70.00	35	71.88	3	144	5536513-5
4.25	94.00	47	95.88	3	192	5536513-4
4.25	46.00	23	47.88	3	96	5536513-3
4.25	22.00	11	23.88	3	48	5536513-2
4.25	10.00	5	11.88	3	24	5536513-1
D	C	B	A	FINISH	NO OF POSN	NUMBER

THIS DRAWING IS A CONTROLLED DOCUMENT.

DIMENSIONS:	TOLERANCES UNLESS OTHERWISE SPECIFIED:	DMN	MCMASTER	31AUG04
mm	0 PLC ± -	CHK	R WERTZ	31AUG04
	1 PLC ± -	APVD	R WERTZ	31AUG04
	2 PLC ± -0.13	NAME	PIN ASSY SIGNAL MODULE Z-PACK 2mm FB	
	3 PLC ± -	PRODUCT SPEC	2mm 4R 5.00mm MATING LENGTH	
	4 PLC ± -	APPLICATION SPEC	SOLDER END	
	ANGLES ± -	SIZE	CAGE CODE	DRAWING NO
MATERIAL	FINISH	WEIGHT	0.000000	A1 00779
		CUSTOMER DRAWING	SCALE	4:1

STE TE Connectivity

RESTRICTED TO

SHEET 1 OF 1 REV A

单击下面可查看定价，库存，交付和生命周期等信息

[>>TE Connectivity\(泰科\)](#)