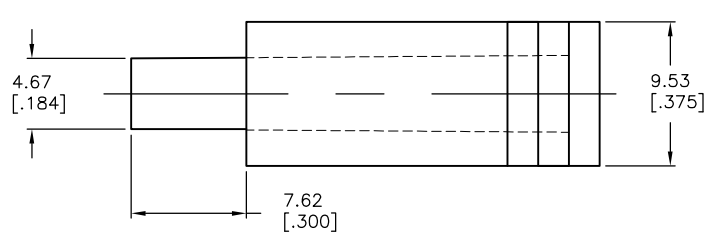
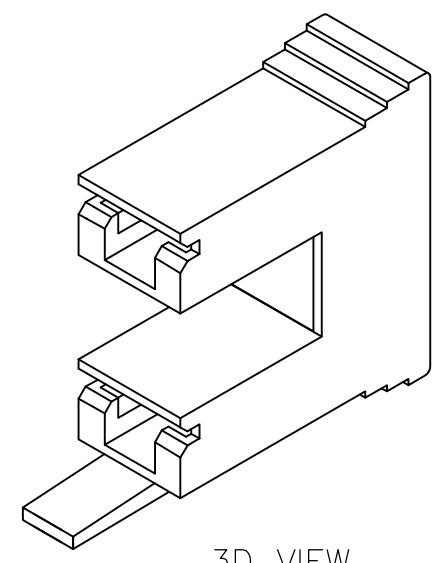
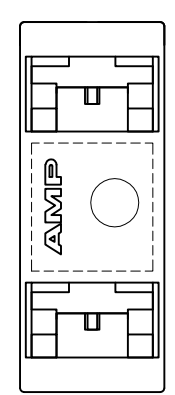
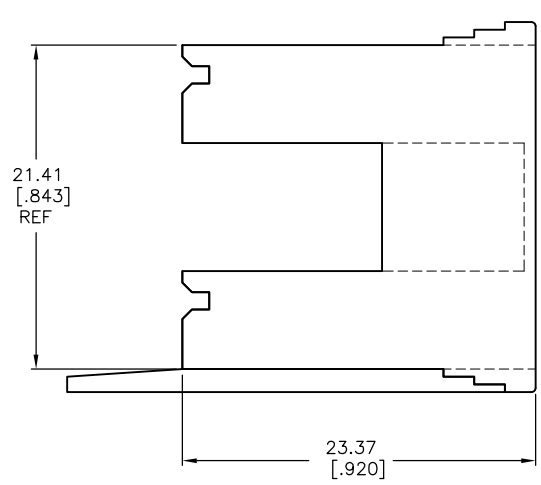
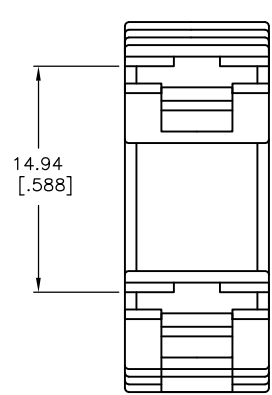


THIS DRAWING IS UNPUBLISHED. RELEASED FOR PUBLICATION
 © COPYRIGHT BY TYCO ELECTRONICS CORPORATION. ALL RIGHTS RESERVED.

LOC	DIST	REVISIONS					
AF	50	P	LTR	DESCRIPTION	DATE	DWN	APVD
			D1	REVISED PER ECR-08-020696	01SEP08	HMR	PD



- 1 RECOMMENDED CENTERLINE SPACING OF MATING TAB IS 14.94±0.13 [.588±.005]
- 2 PRELIMINARY – NOT FOR PRODUCTION



6/66 NYLON	2 521069-2
6/6 NYLON	521069-1
MATERIAL	PART NO.

THIS DRAWING IS A CONTROLLED DOCUMENT.		DWN	JR RUTH	8/3/94	Tyco Electronics Corporation Harrisburg, PA 17105-3608			
DIMENSIONS: mm [INCHES]		CHK	MS FEHER	8/3/94				
TOLERANCES UNLESS OTHERWISE SPECIFIED:		APVD	R BEAVER	8/3/94	NAME			
0 PLC ± - 1 PLC ± - 2 PLC ± 0.25 [.010] 3 PLC ± - 4 PLC ± - ANGLES ± -		PRODUCT SPEC		HOUSING, RECEPTACLE, FASTON™, 6.35 [.250] SERIES				
MATERIAL SEE TABLE		FINISH NATURAL		APPLICATION SPEC		RESTRICTED TO		
		WEIGHT -		SIZE A3		CAGE CODE 00779	DRAWING NO C-521069	
		CUSTOMER DRAWING		SCALE 4:1		SHEET 1 OF 1		REV D1

单击下面可查看定价，库存，交付和生命周期等信息

[>>TE Connectivity\(泰科\)](#)