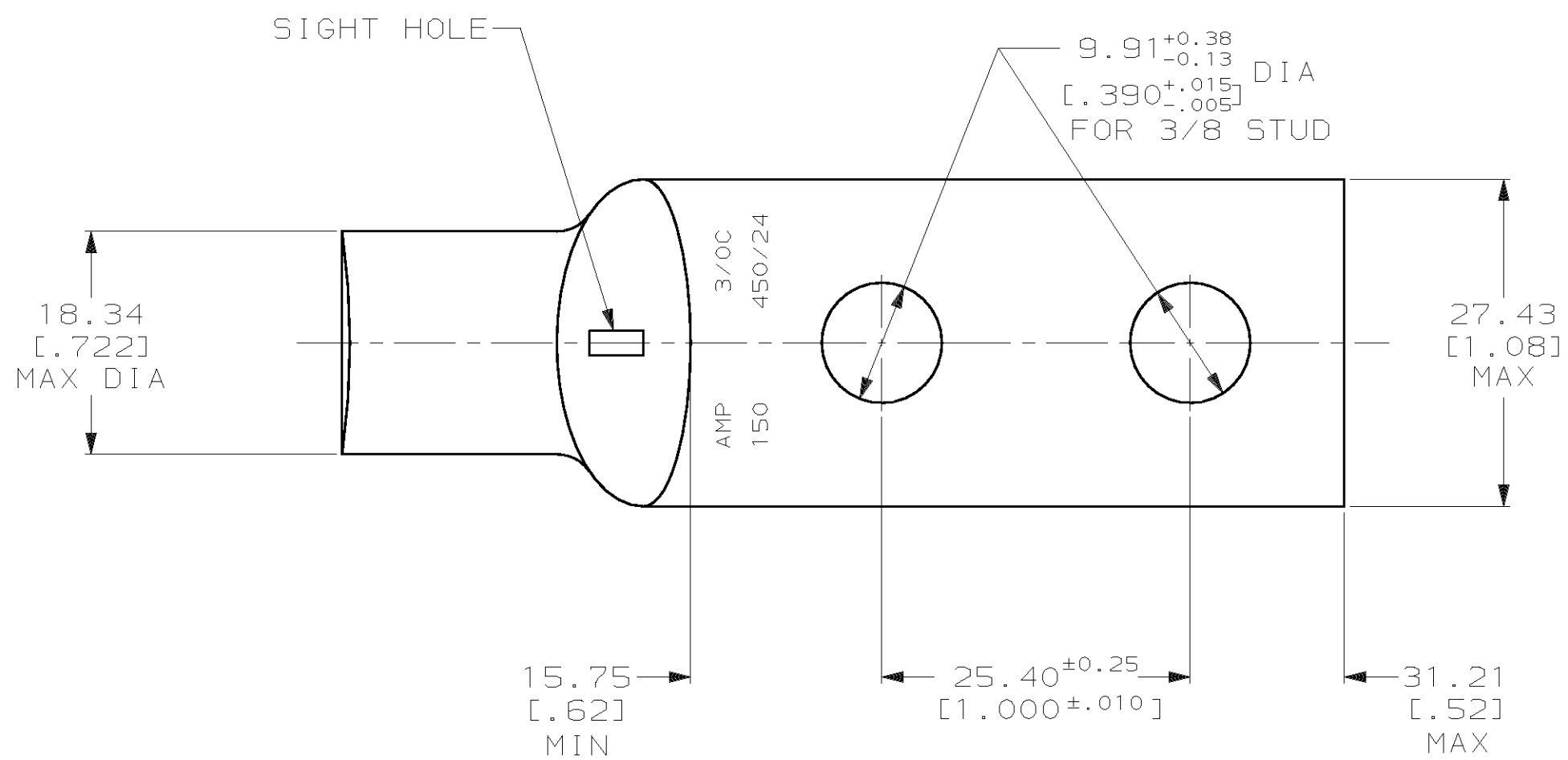
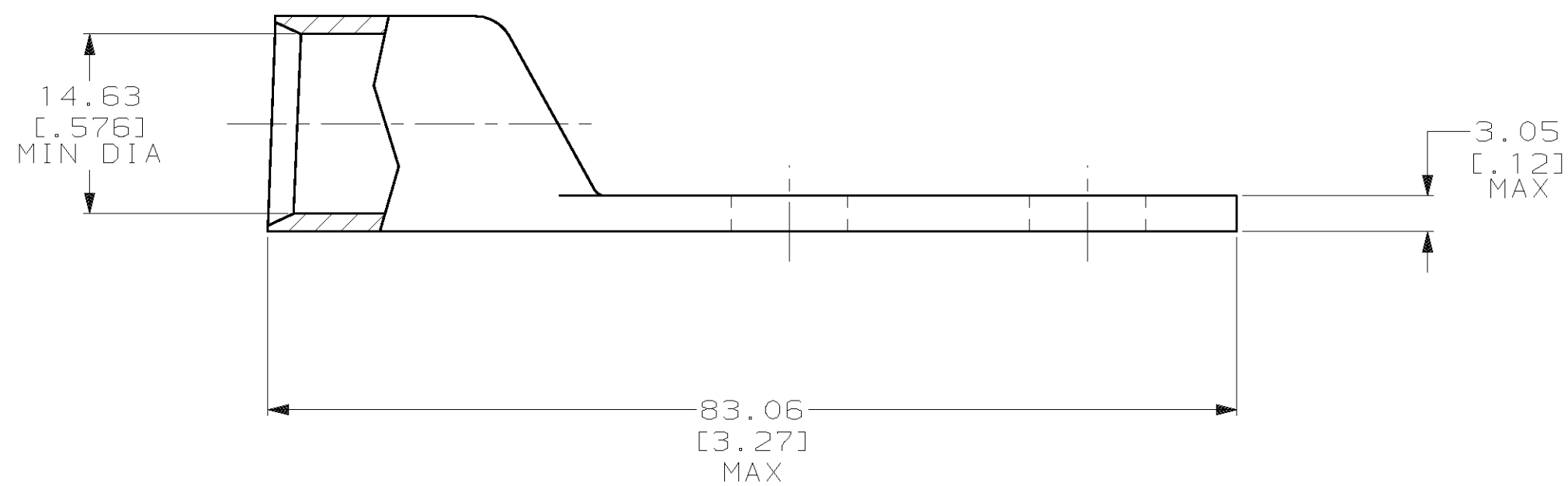


THIS DRAWING IS UNPUBLISHED. RELEASED FOR PUBLICATION, 19 .  
 © COPYRIGHT 19 BY AMP INCORPORATED. ALL INTERNATIONAL RIGHTS RESERVED.

LOC		DIST		P		F		ZONE		LTR		REVISIONS		DATE	APPD
G		86										T		09OCT02	JR
												DESCRIPTION			
												REV PER 0G3A-0561-01			



1 CIRCULAR MIL RANGE: 150,500-190,000 CM  
 2 TIN PL 0.00381 [0.000150] MIN THK PER MIL-T-10727



326802

B

A

326802  
 PART NO

DO NOT SCALE PRINT. UNLESS SPECIFIED DIMENSIONS IN mm [INCHES] TOLERANCES ON : 2 PLC DEC ± 0.51 [0.020] 3 PLC DEC ± - ANGLES ± -		DR 02/28/90 DK SCHRUM		AMP INCORPORATED Harrisburg, Pa. 17105	
MATERIAL ANNEALED COPPER ASTM B-75		CHK 18JAN95 MS FEHER			
FINISH 		APPD 18JAN95 WJ VOCKROTH		NAME TERMINAL, AMPPOWER, WIRE SIZE: 3/0 AWG	
APPLICATION SPEC -		APPD 18JAN95 TL SHUTTER		DRAWING NO 326802	
WEIGHT .107 LB		PRODUCT SPEC -		SCALE 2:1	
		APPLICATION SPEC -		CAGE CODE 00779	
				SHEET 1 OF 1	



单击下面可查看定价，库存，交付和生命周期等信息

[>>TE Connectivity\(泰科\)](#)