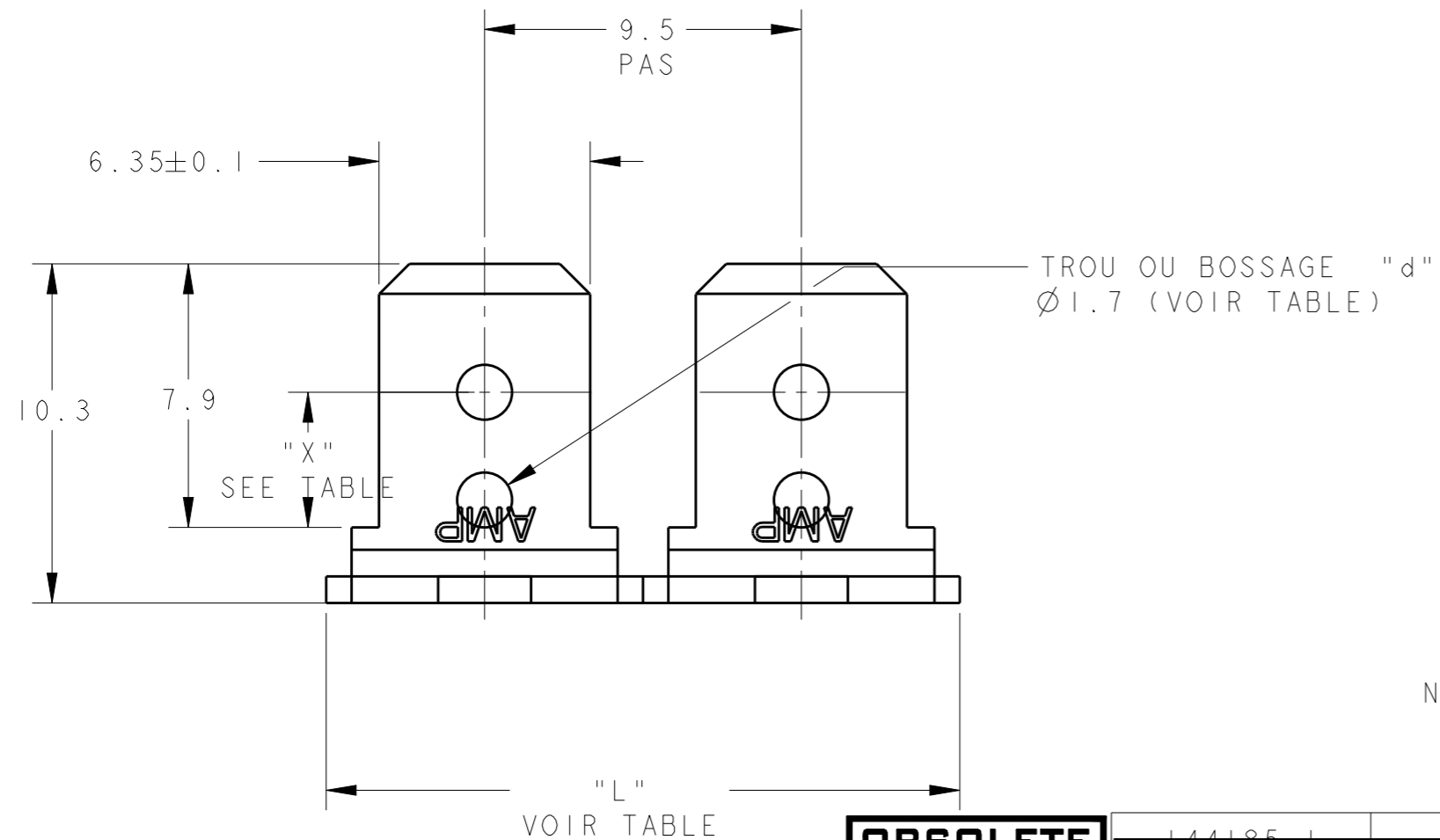


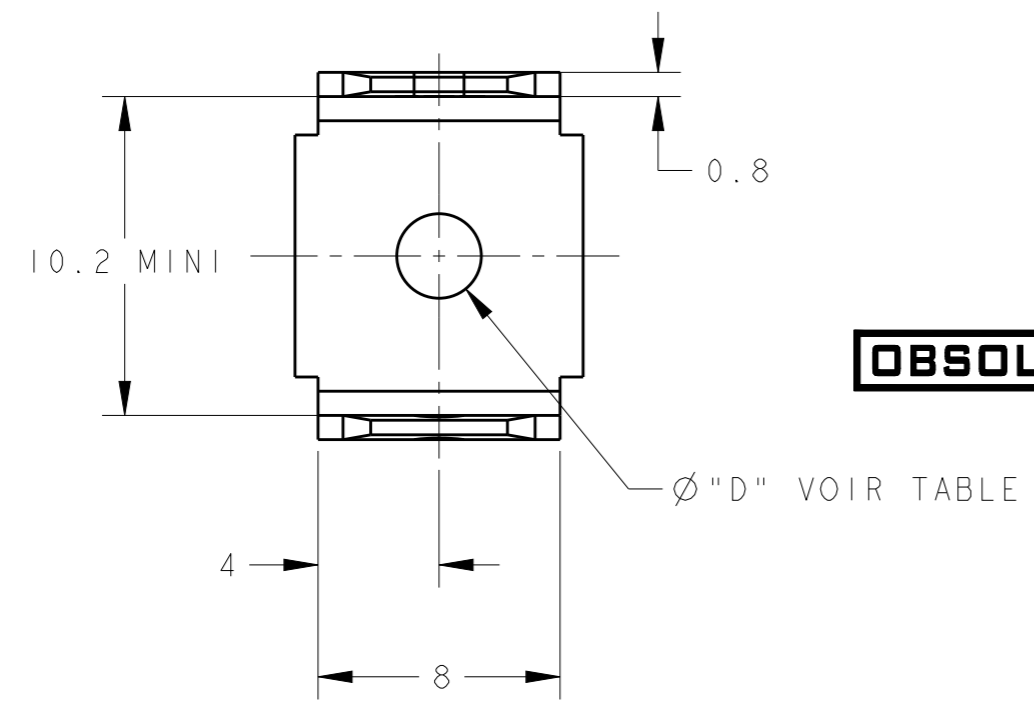
THIS DRAWING IS UNPUBLISHED.  
 DIFFUSION RESTREINTE AMP  
 © COPYRIGHT 20 BY TYCO ELECTRONICS CORPORATION. ALL RIGHTS RESERVED.  
 TOUS DROITS RESERVES

RELEASED FOR PUBLICATION  
 LIBRE A LA DIFFUSION

| LOC | DIST    | REVISIONS                 |                             |           |           |  |
|-----|---------|---------------------------|-----------------------------|-----------|-----------|--|
| P   | LTR REV | DESCRIPTION MODIFICATIONS | DATE                        | DWN DESS. | APVD APP. |  |
| F   | 7       | G                         | 140617/140722-1/-2 REACTIVE | OCT1992   | JJD -     |  |
|     |         | H                         | REDESSINE EN CAO            | 13OCT2000 | JJD -     |  |
|     |         | HI                        | REVISED PER ECR-17-009309   | 06JUL2017 | BH RP     |  |



NOTE : la position du trou (cote 4.1) est hors standard pour les ref. 141705-1/-2



**OBSOLETE**

**OBSOLETE**

| Reference | Finition | "L"      | "D" <sup>+0.12</sup> <sub>-0</sub> | "X"±0.1 | "d"     | Nombre de paires |
|-----------|----------|----------|------------------------------------|---------|---------|------------------|
| 144185-1  | brut     | 17.6     | 4.1                                | 3.4     | trou    | 2                |
| 141878-3  | brut     | en bande | 4.1                                | 3.4     | trou    | en bande         |
| 141878-2  | etame    | 8        | 4.1                                | 3.4     | trou    | 1                |
| 141878-1  | brut     | 8        | 4.1                                | 3.4     | trou    | 1                |
| 141705-2  | etame    | 27.3     | 4.1                                | 4.05    | trou    | 3                |
| 141705-1  | brut     | 27.3     | 4.1                                | 4.05    | trou    | 3                |
| 140722-2  | etame    | en bande | 4.1                                | 4.05    | bossage | en bande         |
| 140722-1  | brut     | en bande | 4.1                                | 4.05    | bossage | en bande         |
| 140617-0  | brut     | 27.3     | 4.1                                | 4.05    | bossage | 3                |
| 140613-0  | brut     | 8        | 4.1                                | 4.05    | bossage | 1                |

THIS DRAWING IS A CONTROLLED DOCUMENT FOR TYCO ELECTRONICS CORPORATION IT IS SUBJECT TO CHANGE AND THE CONTROLLING ENGINEERING ORGANIZATION SHOULD BE CONTACTED FOR THE LATEST REVISION.  
 CE PLAN EST UN DOCUMENT CONTROLE PAR AMP INCORPORATED. IL EST SUSCEPTIBLE D'ETRE REVISE. CONTACTER LE SERVICE TECHNIQUE D'AMP DE FRANCE POUR OBTENIR LA DERNIERE REVISION.

DWN/DESSINE JJ. DESPRETZ 13OCT2000  
 CHK/VERIFIE -  
 APVD/APPROUVE -  
 PRODUCT SPEC SPEC. PRODUIT -  
 APPLICATION SPEC SPEC. APPLICATION -  
 WEIGHT MASSE APPROX. -

**AMP** AMP DE FRANCE  
 95301 PONTOISE

NAME TITRE  
 LANGUETTE DOUBLE  
 PLIEE A 90 DEG.  
 FASTON TABS .250 SERIES BENT

SIZE FORMAT A3  
 CAGE CODE 00779  
 DRAWING NO No PLAN C-140613  
 RESTRICTED TO RESERVE A -

MATERIAL /MATIERE LAITON  
 FINISH /FINITION VOIR TABLE

CUSTOMER DRAWING /PLAN CLIENT UNIQUEMENT POUR REFERENCE  
 SCALE ECHELLE 5:1  
 SHEET FEUILLE 1 OF DE 1  
 REV HI

单击下面可查看定价，库存，交付和生命周期等信息

[>>TE Connectivity\(泰科\)](#)