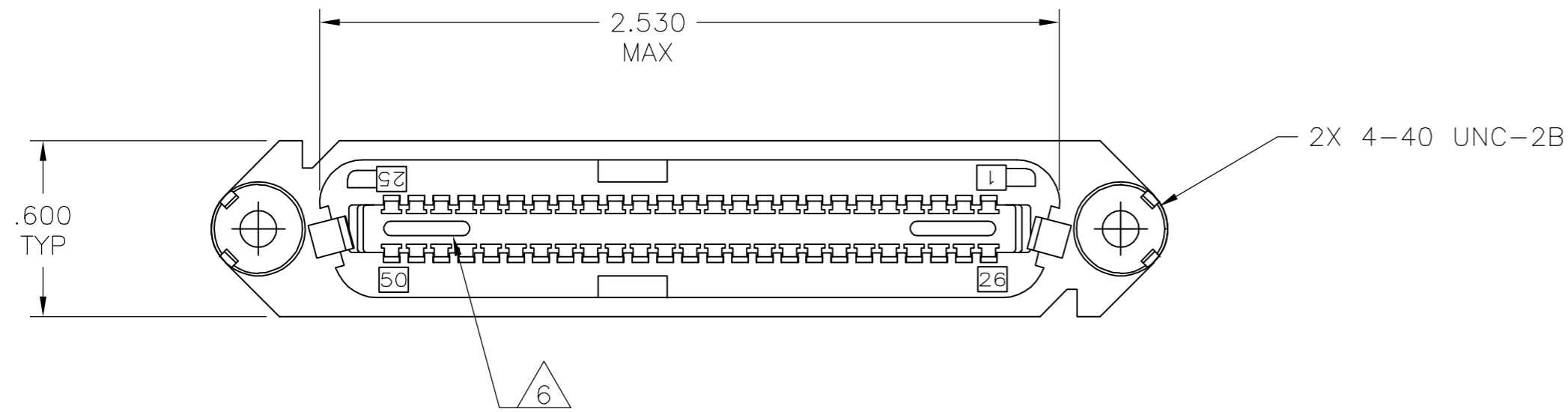
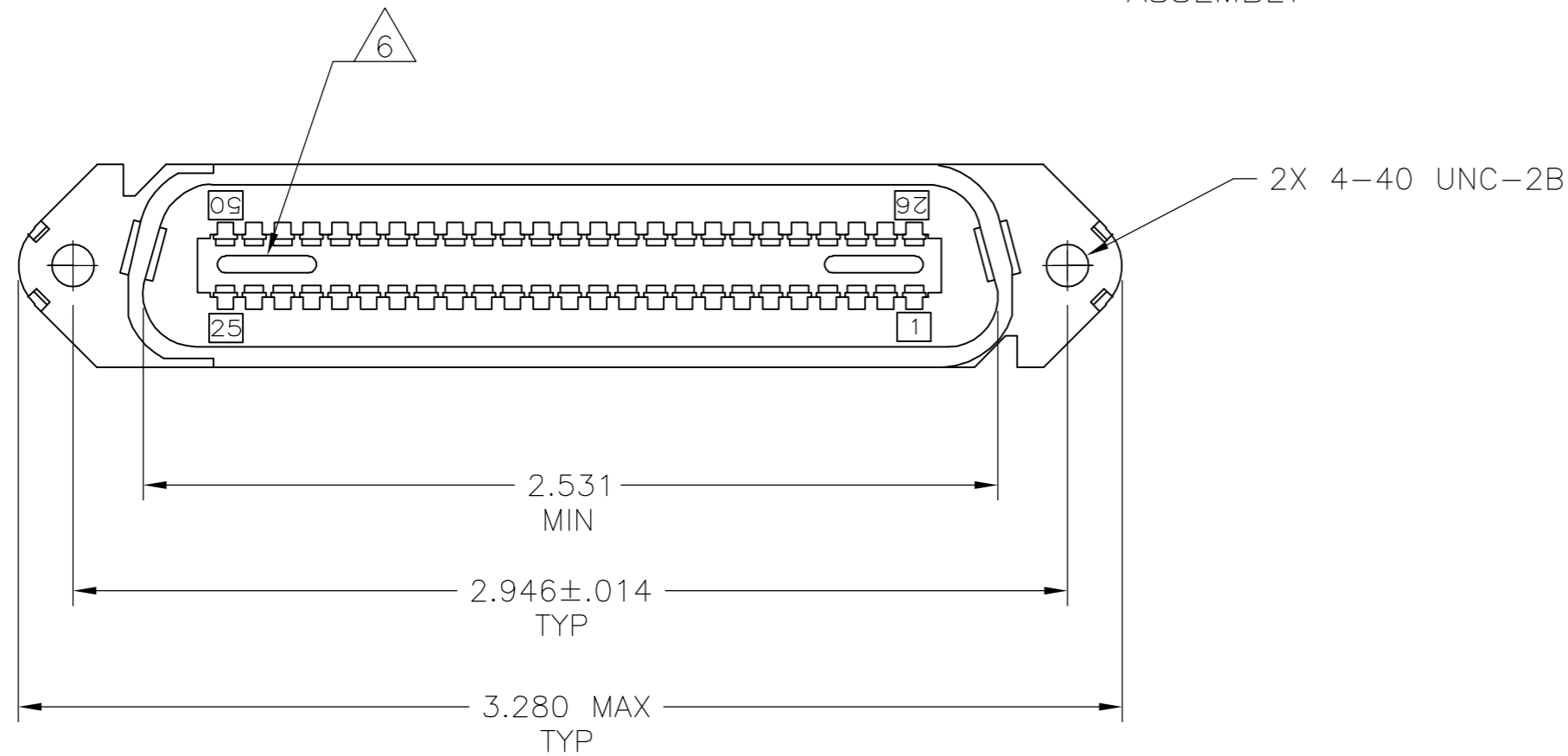
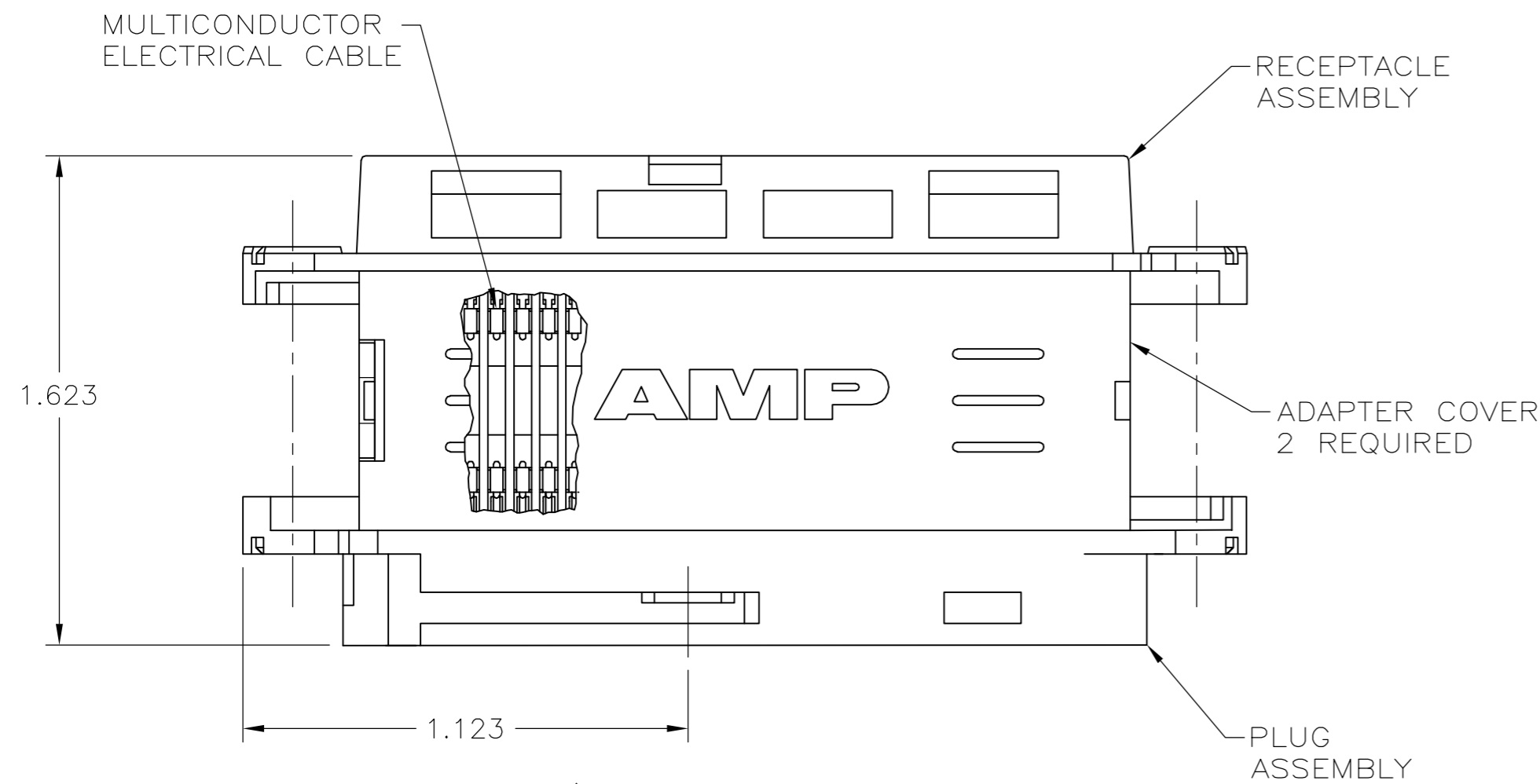


THIS DRAWING IS UNPUBLISHED. RELEASED FOR PUBLICATION JAN. 8, 1982.  
 © COPYRIGHT BY TYCO ELECTRONICS CORPORATION. ALL RIGHTS RESERVED.

LOC	DIST	REVISIONS			
P	LTR	DESCRIPTION	DATE	DWN	APVD
GP	00	A	RELEASED	05MAR07	BM WM



1. LIKE NUMBERED CONTACTS ON BOTH CONNECTORS ARE ELECTRICALLY COMMON.
2. THE CONTACT SURFACES OF THE TERMINALS ARE COATED WITH LUBRICANT.
3. MATERIAL: HOUSING & COVERS – THERMOPLASTIC (BLACK)  
TERMINALS – HIGH STRENGTH COPPER ALLOY  
PLATED WITH EITHER 30μ MIN GOLD OR GOLD  
FLASH OVER 30μ MIN PALLADIUM NICKEL ON  
CONTACT MATING SURFACE, OVER 50μ MIN  
NICKEL PLATING.
4. ALL DIMENSIONS SHOWN ARE FOR REFERENCE ONLY UNLESS OTHERWISE SPECIFIED.
5. CENTER-TO-CENTER SPACING OF TERMINALS IS .085.
6. CORING MAY OR MAY NOT APPEAR AND IS AT THE DISCRETION OF TYCO ELECTRONICS.



THIS DRAWING IS A CONTROLLED DOCUMENT.		DWN B. MCMASTER	05MAR07	AS SHOWN		5552705-1	
DIMENSIONS: INCHES		CHK W. MILLHIMES	05MAR07	DESCRIPTION		PART NUMBER	
TOLERANCES UNLESS OTHERWISE SPECIFIED:		APVD W. MILLHIMES	05MAR07	NAME		Tyco Electronics Corporation Harrisburg, PA 17105-3608	
0 PLC ± -		PRODUCT SPEC		ASSEMBLY, WIRE ADAPTER, 50 POSITION (CHAMP-LOK, PLUG/RECEPTACLE)		RESTRICTED TO	
1 PLC ± -		APPLICATION SPEC		SIZE	CAGE CODE	DRAWING NO	
2 PLC ± -				A2	00779	C=5552705	
3 PLC ± -				SCALE		SHEET	REV
4 PLC ± -				2:1		1 of 1	A
ANGLES ± -		WEIGHT		CUSTOMER DRAWING			
FINISH							

单击下面可查看定价，库存，交付和生命周期等信息

[>>TE Connectivity\(泰科\)](#)