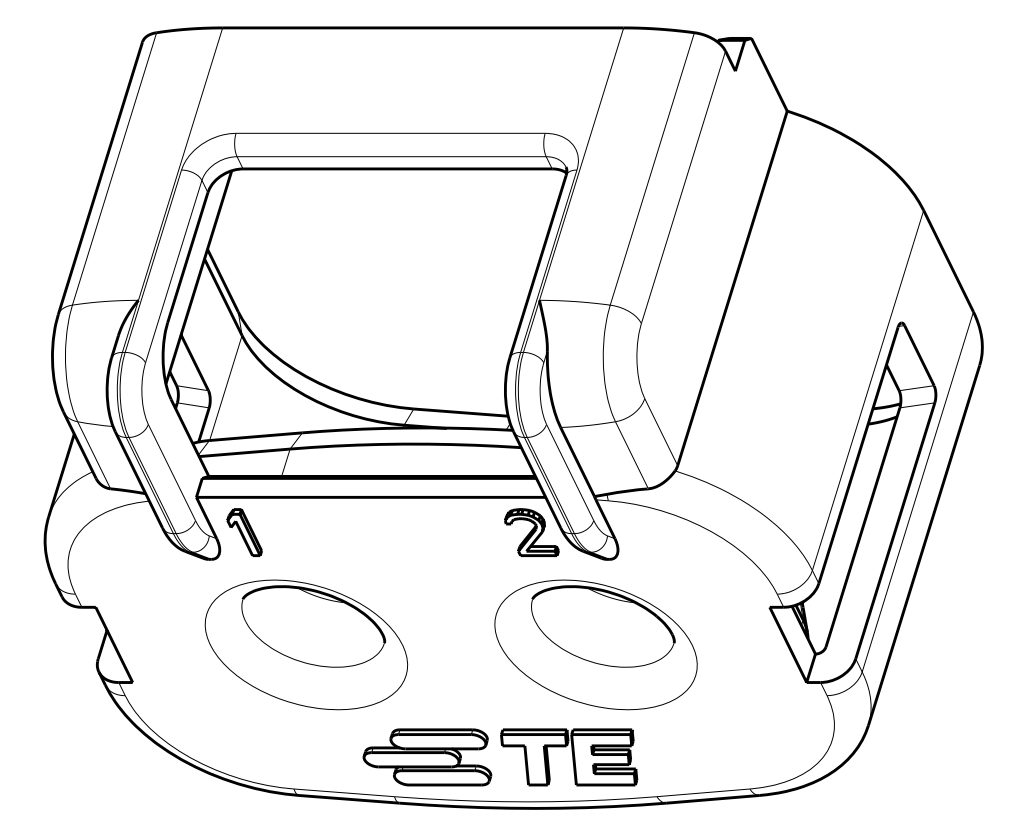
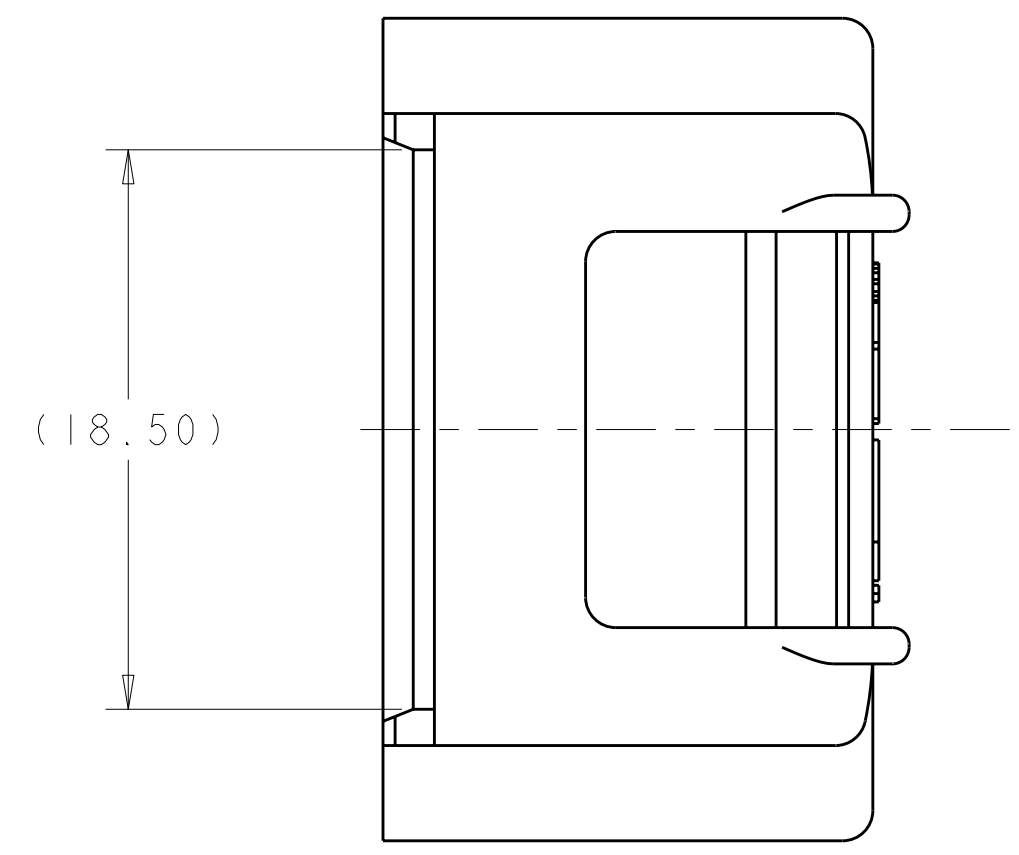
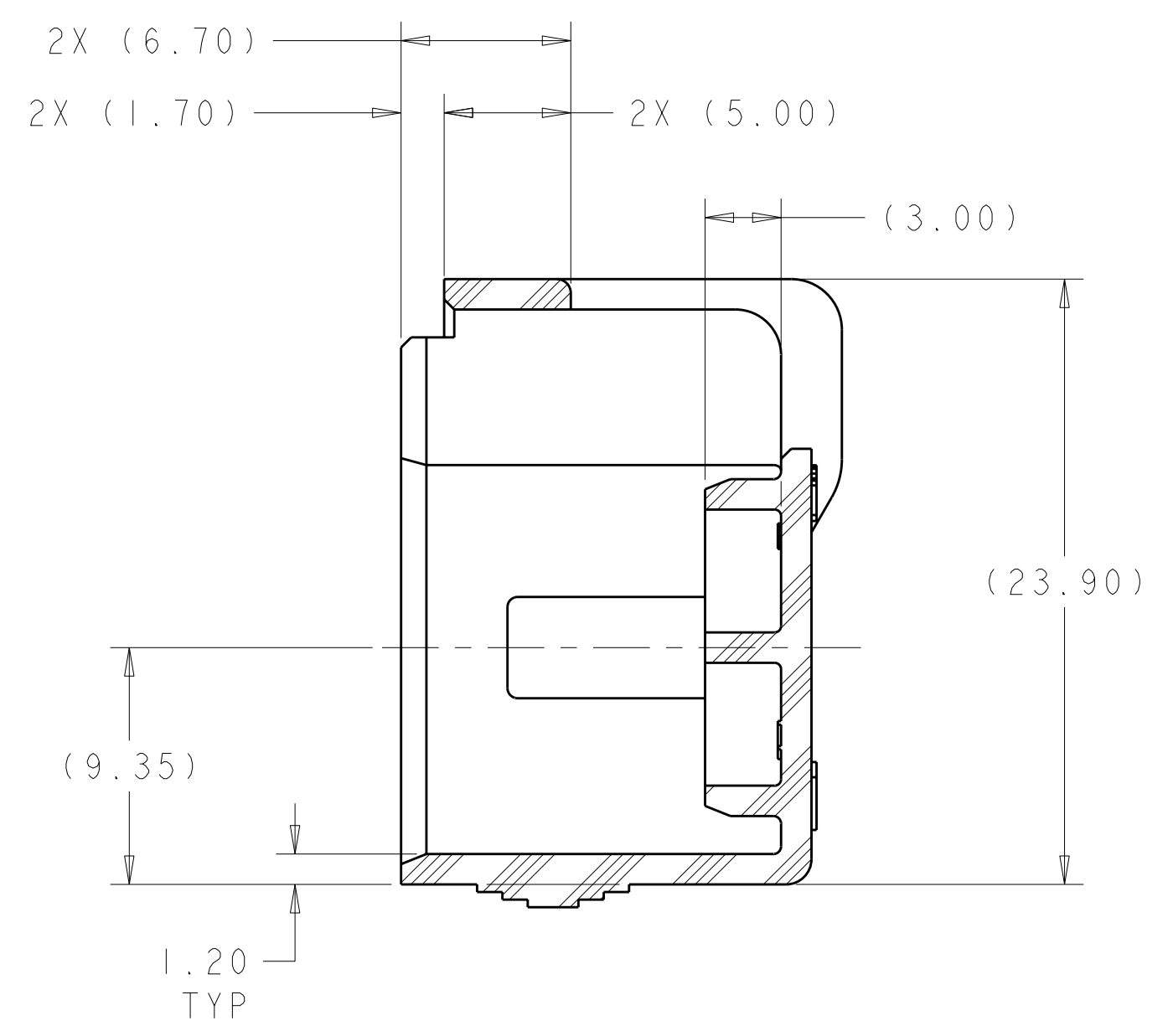
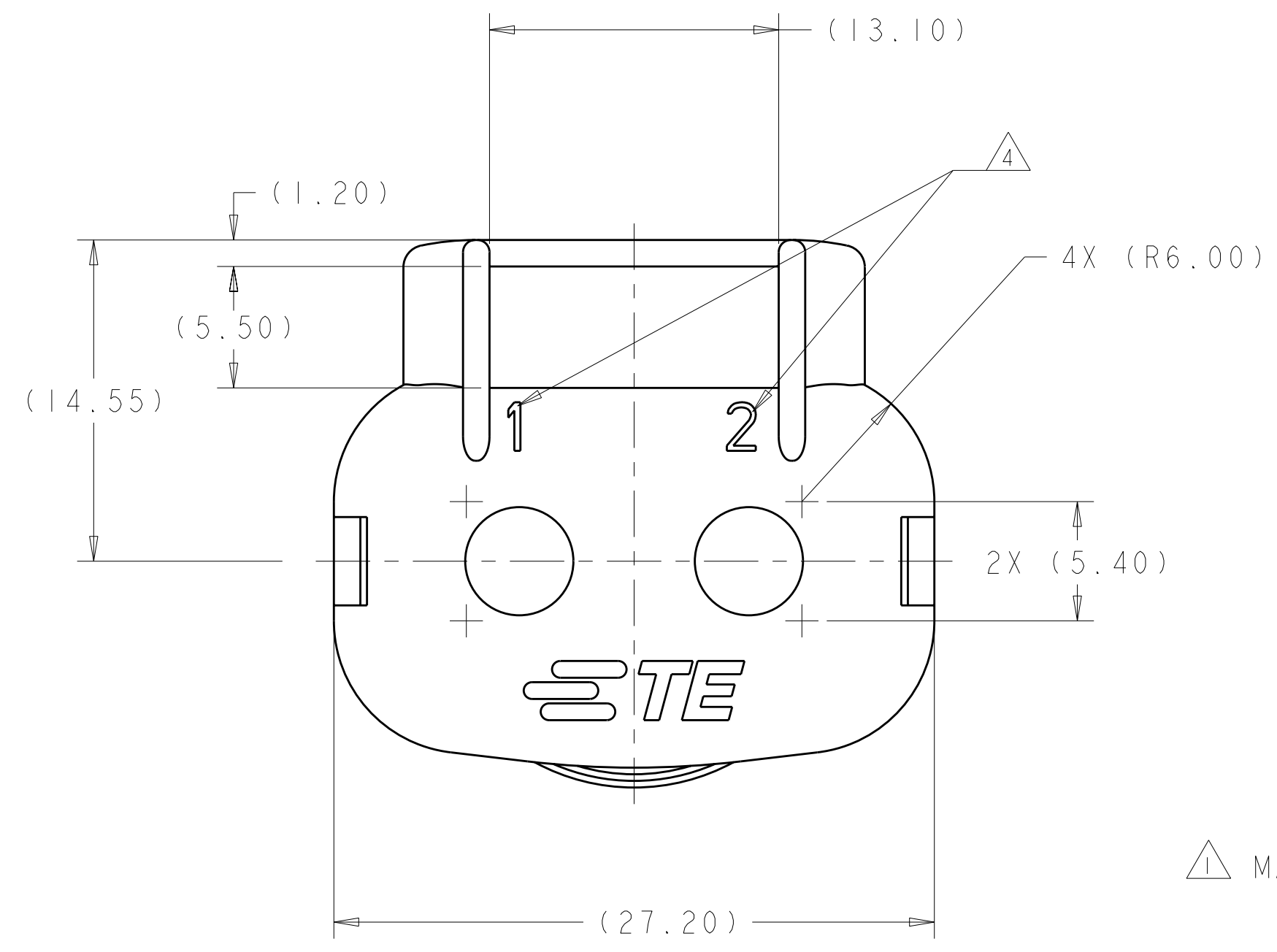
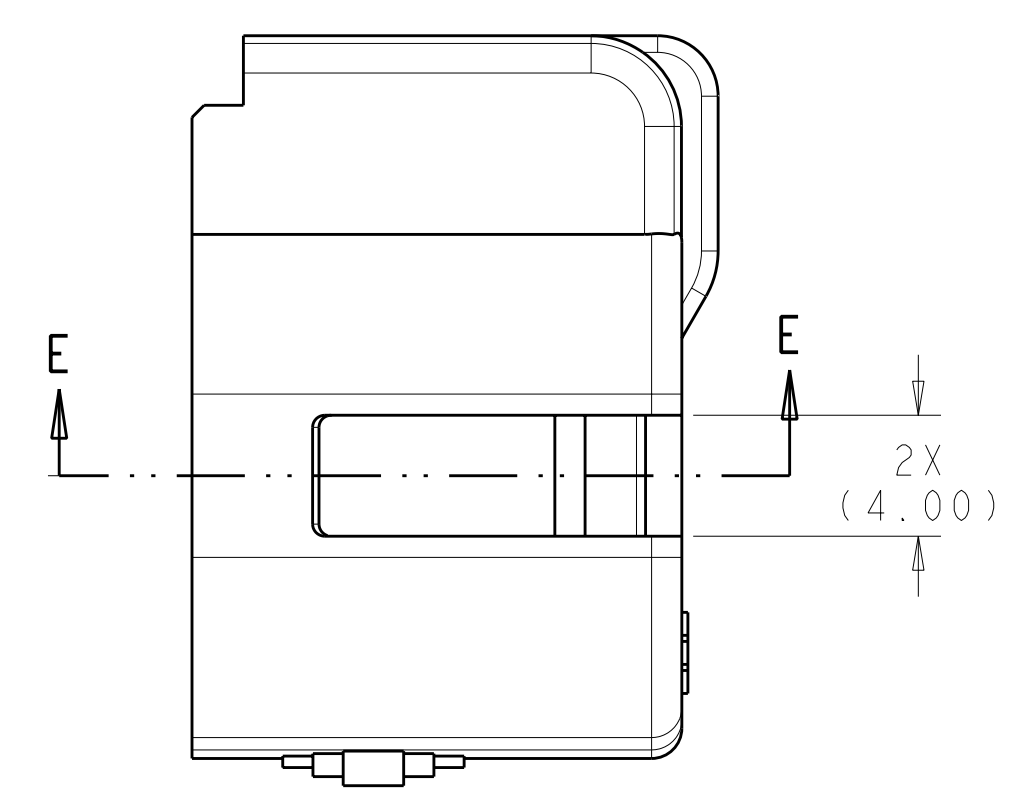
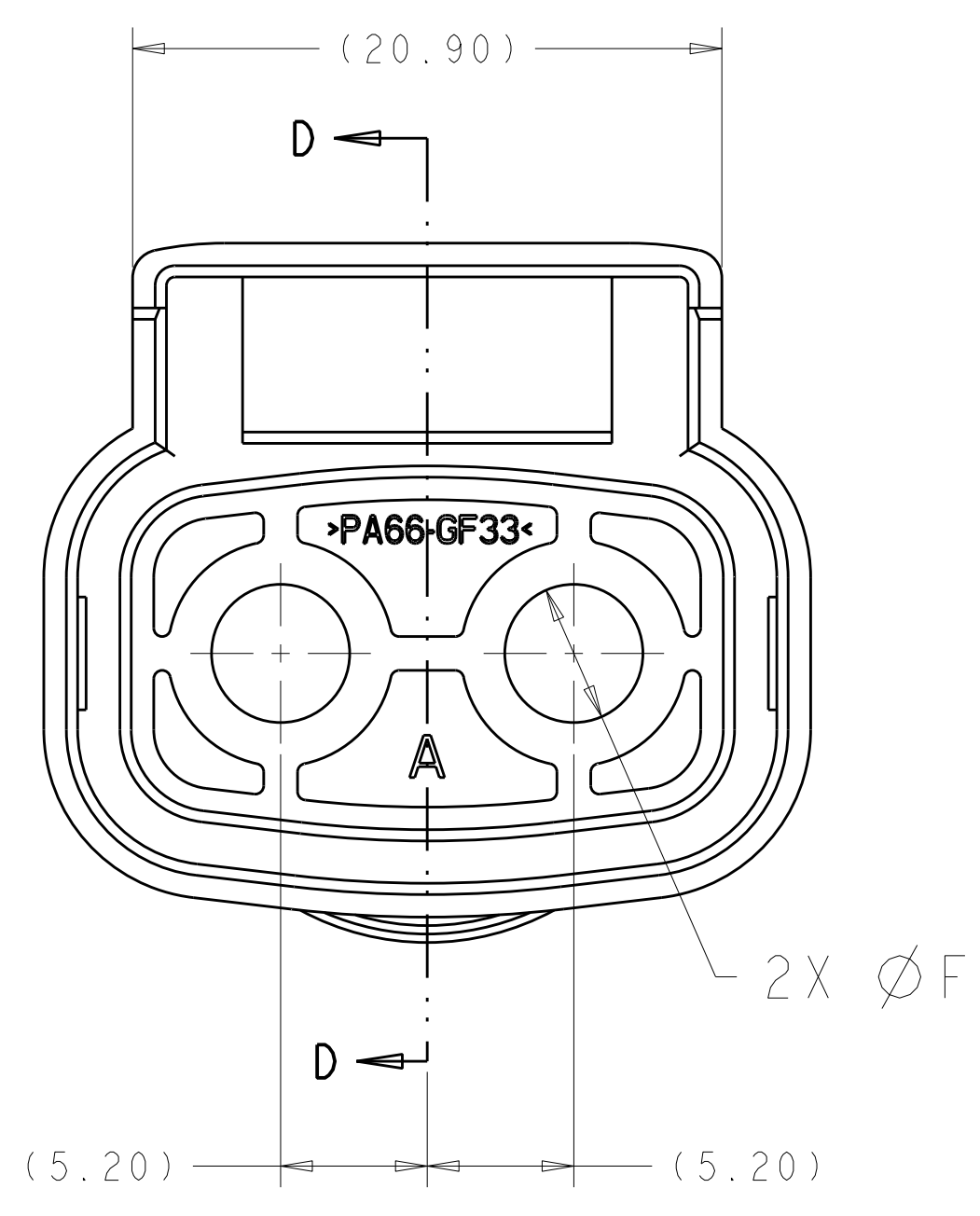


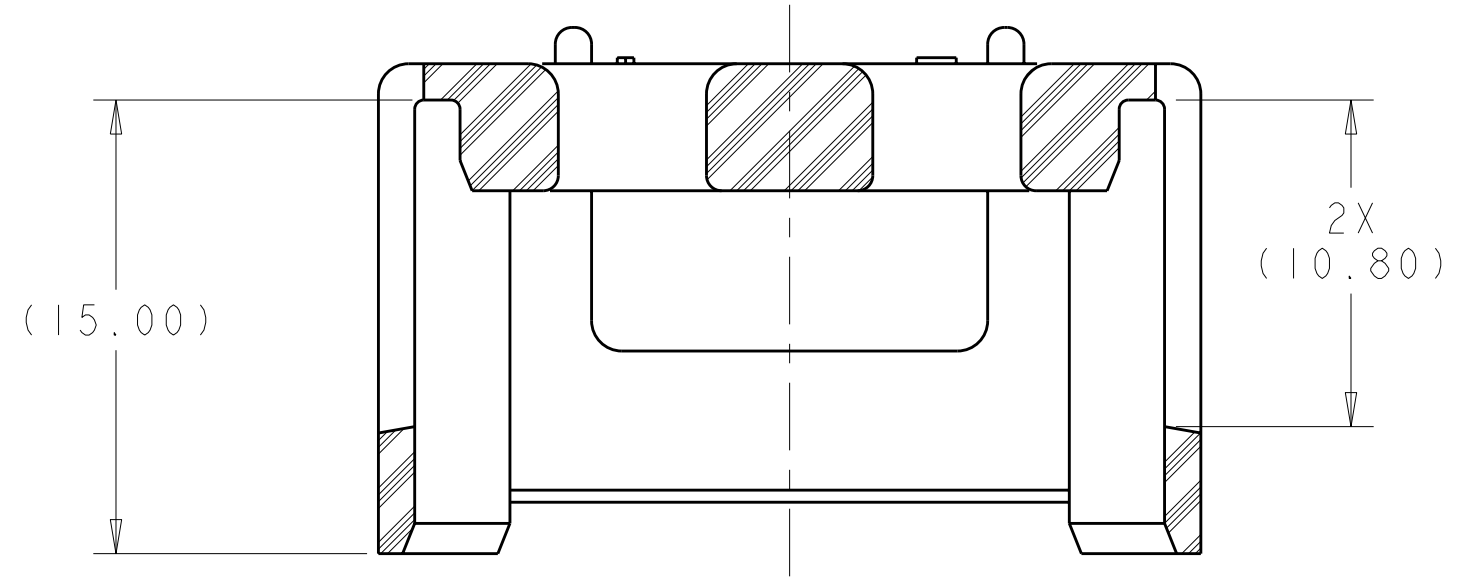
LOC	DIST	REVISIONS			
P	LTB	DESCRIPTION	DATE	OWN	APVD
A		ECO-12-010443	12JUN2012	DS	AT



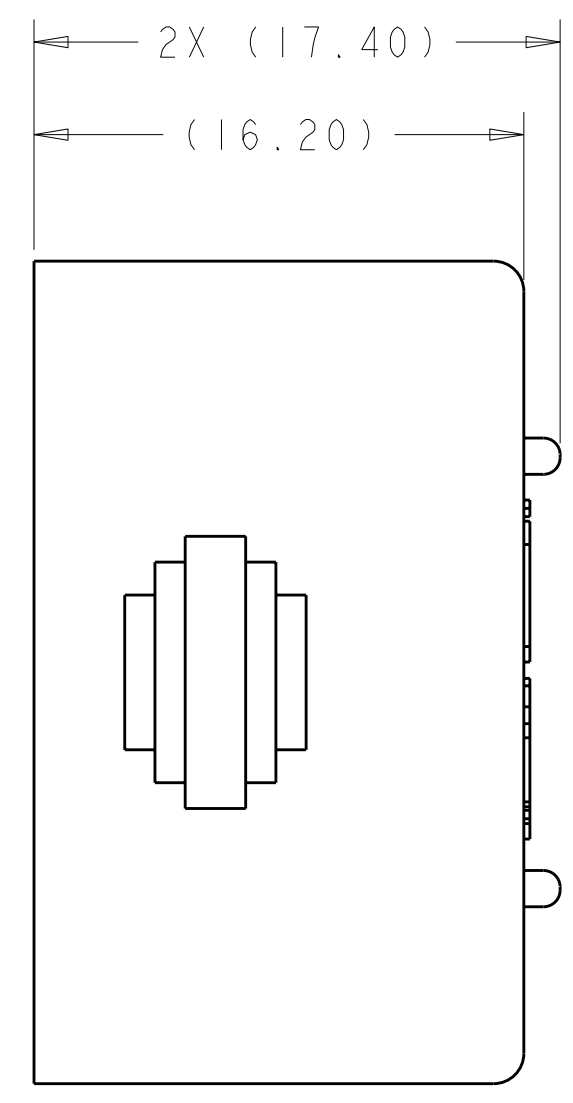
SECTION D-D
REMOVED



- △ MATERIAL :
TYPE : PA66 33%GF
COLOR : SEE TABLE
- 2. FEATURES DENOTED BY REFERENCE DIMENSIONS
MUST BE INSPECTED FOR PRESENCE
- 3. PART MUST BE FREE OF EXCESSIVE FLASH, MIS-MATCH,
SINK MARKS, OR OTHER VISUAL IMPERFECTIONS THAT
MAY AFFECT PRODUCT FIT FORM OR FUNCTION
- △ CIRCUIT ID



SECTION E-E
REMOVED, ROTATED 90° CCW



COLOR	MIN	MAX	F	DESCRIPTION	PART NO
DK GRAY	5.48	6.10	6.20	CABLE SEAL RETAINER, SIZE C	2103181-3
ORANGE	4.76	5.48	5.60	CABLE SEAL RETAINER, SIZE B	2103181-2
BLACK	4.11	4.76	4.90	CABLE SEAL RETAINER, SIZE A	2103181-1

THIS DRAWING IS A CONTROLLED DOCUMENT. DIMENSIONING AND TOLERANCING PER ASME Y14.5M-2009. TOLERANCES UNLESS OTHERWISE SPECIFIED:		OWN: D SIMPSON 08FEB2011 CHK: A TYLER 08FEB2011 APVD: -	NAME: -	TE Connectivity CABLE SEAL RETAINER HVA280-2PHI XE
DIMENSIONS: mm	0 PLC ±.2 1 PLC ±0.2 2 PLC ±0.10 3 PLC ±0.100 4 PLC ±0.0001 ANGLES ±1°	PRODUCT SPEC: 108-2394 APPLICATION SPEC: 114-13295	SIZE: CAGE CODE: DRAWING NO: A100779C=2103181	
MATERIAL: △	FINISH: -	WEIGHT: -	CUSTOMER DRAWING	SCALE: 4:1 SHEET 1 OF 1 REV A

单击下面可查看定价，库存，交付和生命周期等信息

[>>TE Connectivity\(泰科\)](#)