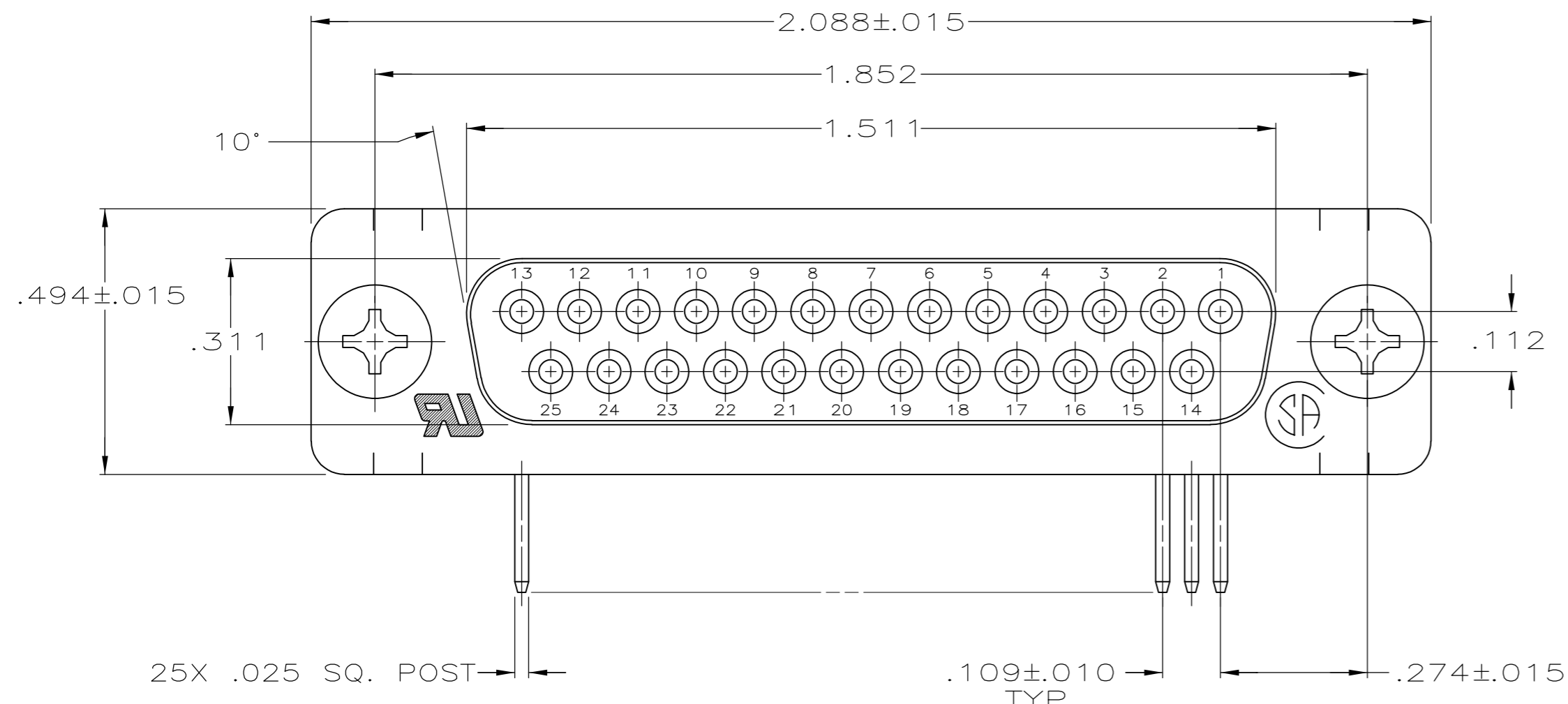
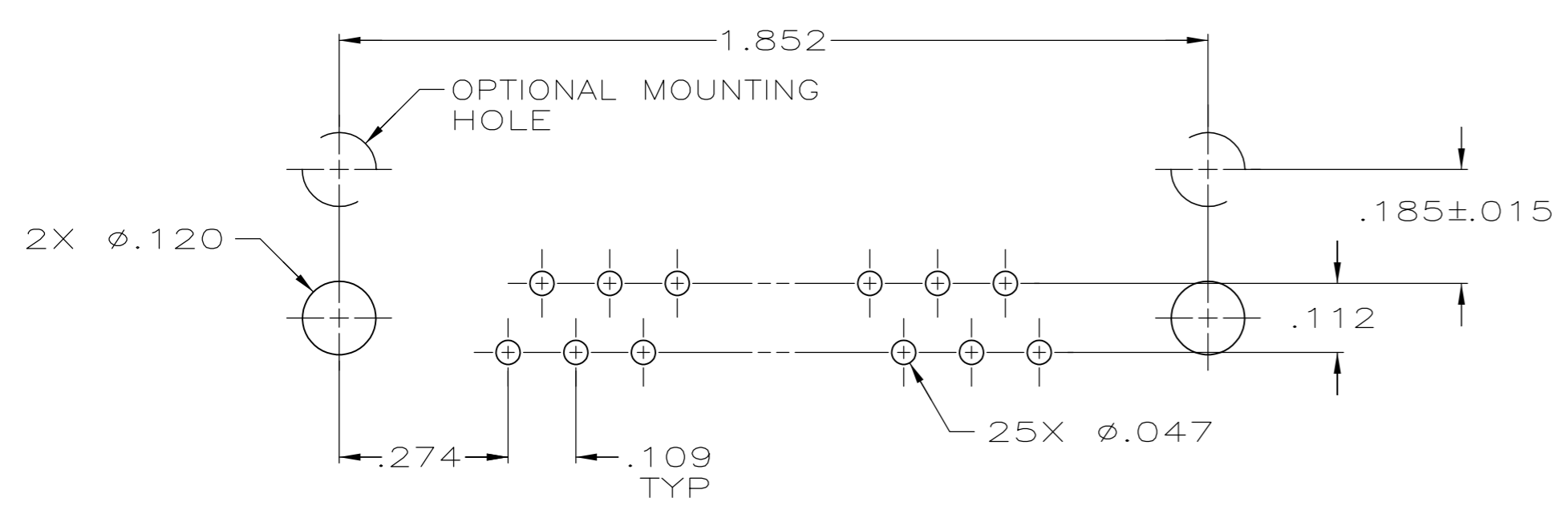
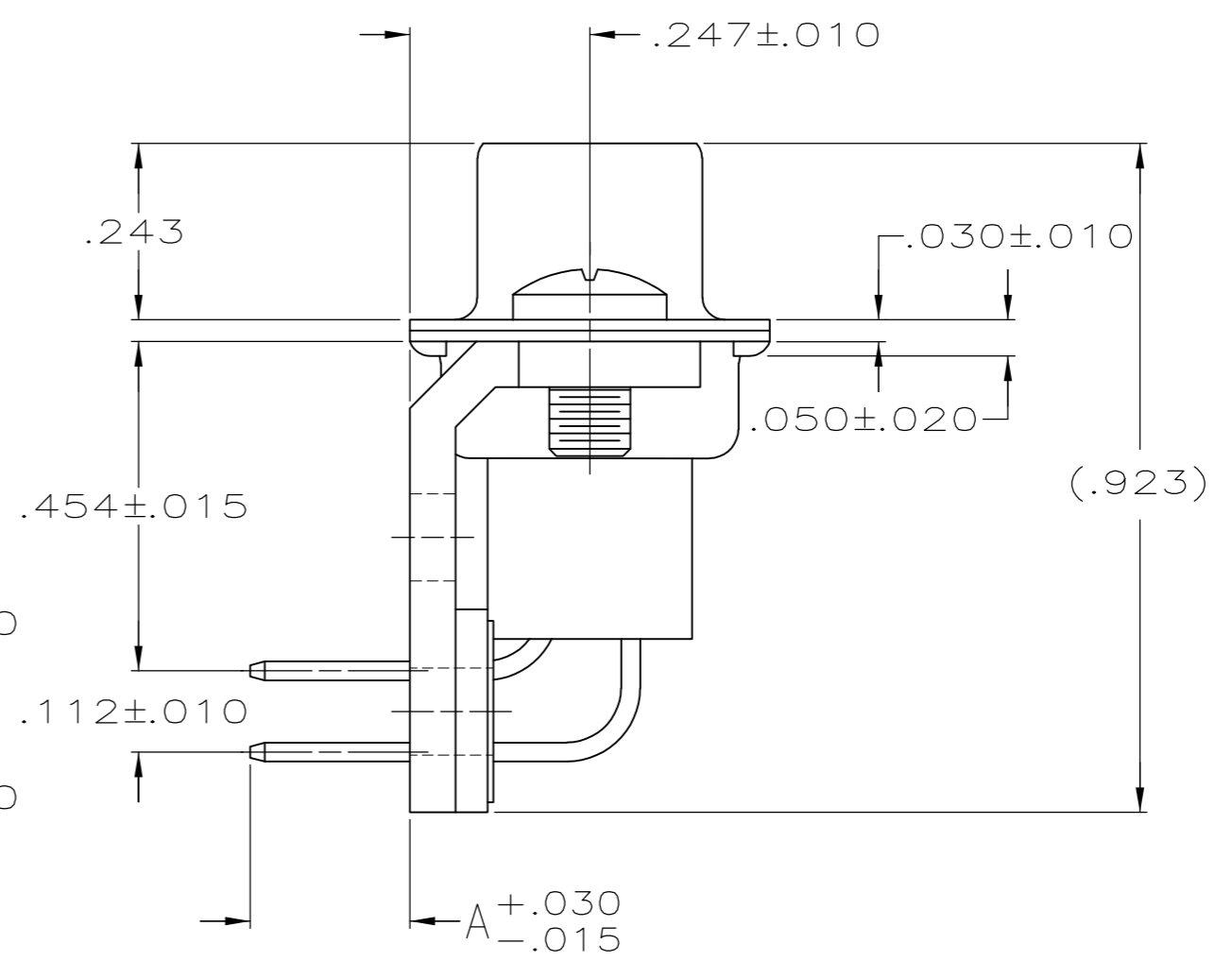
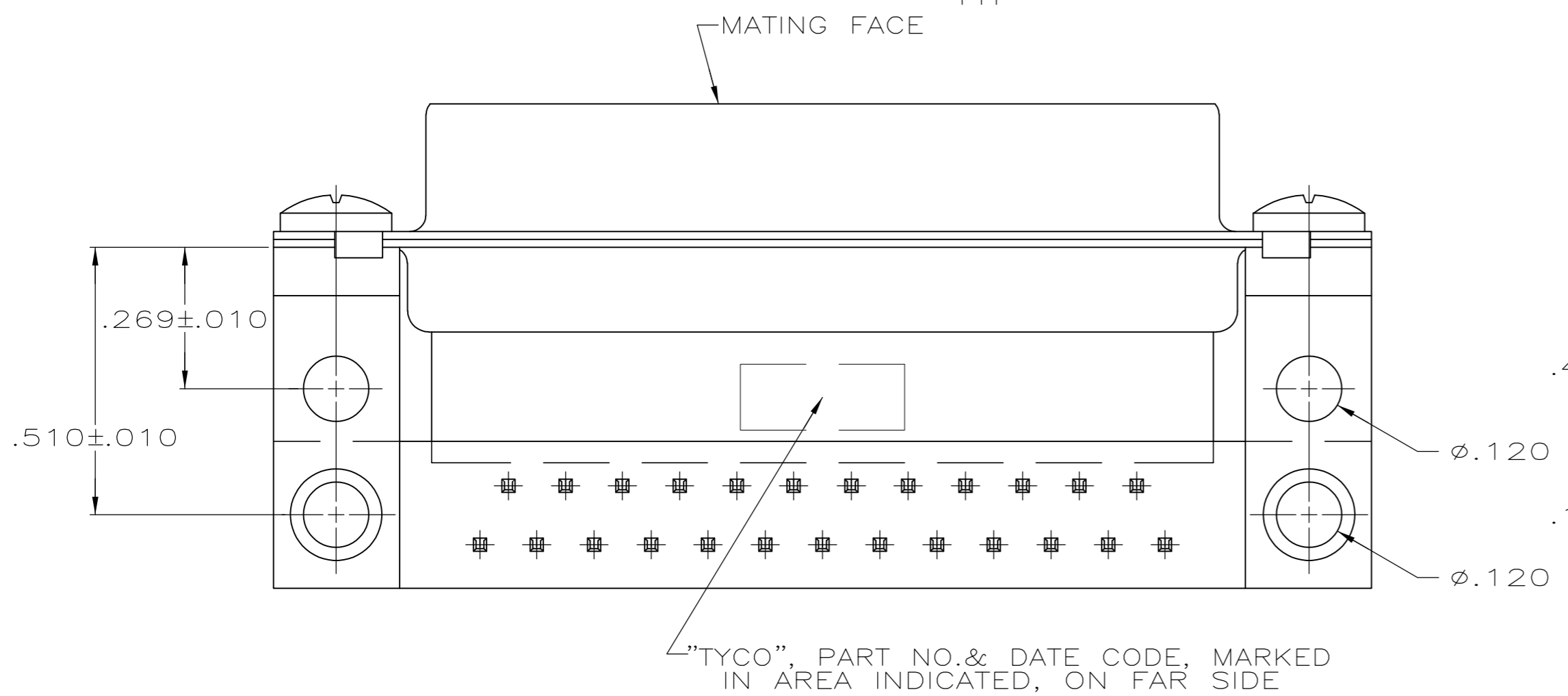


THIS DRAWING IS UNPUBLISHED. RELEASED FOR PUBLICATION  
 © COPYRIGHT 2005 By - ALL RIGHTS RESERVED.

LOC		DIST		REVISIONS			
P	LTR	DESCRIPTION	DATE	DWN	APVD		
GP	00	B	REVISED PER ECO-14-011808	11AUG2014	AP	SB	



- 1 MOLDED PARTS: GLASS-FILLED PBT OR GLASS-FILLED NYLON, UL94V-0 RATED. COLOR: BLACK.  
SHELLS & BRACKETS: CARBON STEEL.  
CONTACTS: PHOSPHOR BRONZE.
- 2 SHELLS: .000200 MIN TIN OVER .000100 MIN COPPER.  
BRACKETS: .000200 MIN TIN OVER .000050 MIN COPPER.  
CONTACTS: SEE TABLE
- 3 GOLD FLASH FOR A LENGTH OF .100 MINIMUM FROM MATING END, .000100 MINIMUM TIN ON OPPOSITE END, BOTH OVER .000050 MINIMUM NICKEL.
- 4 .000030 MIN GOLD FOR A LENGTH OF .100 MIN FROM MATING END, .000100 MIN TIN ON OPPOSITE END, BOTH OVER .000050 MIN NICKEL.  
-OR-  
GOLD FLASH OVER .000030 MIN PALLADIUM NICKEL PLATED FOR A LENGTH OF .100 MIN FROM MATING END, .000100 MIN TIN ON OPPOSITE END, BOTH OVER .000050 MIN NICKEL.



P.C. BOARD MOUNTING DIMENSIONS

.125	4	5745440-4
.220	3	5745440-1
A	CONTACT FINISH	PART NUMBER

THIS DRAWING IS A CONTROLLED DOCUMENT.		DWN D. HENNY 8-31-05	TE Connectivity	
DIMENSIONS: INCHES		CHK S. BOLASH 8-31-05	NAME RECEPTACLE ASSEMBLY, SIZE 3, 25 POSITION, RIGHT ANGLE, .454 SERIES, .025 SQ. POSTS, AMPLIMITE HDP	
TOLERANCES UNLESS OTHERWISE SPECIFIED:		APVD M. WALMSLEY 8-31-05	PRODUCT SPEC 108-40025	
0 PLC ± -		APPLICATION SPEC 114-40013		
1 PLC ± -		WEIGHT -		
2 PLC ± -		SIZE A2		
3 PLC ± .005		CAGE CODE 00779		
4 PLC ± -		DRAWING NO. C=5745440		
ANGLES ± 2°		RESTRICTED TO -		
MATERIAL 1		SCALE 4:1		
FINISH 2		SHEET 1 of 1		
CUSTOMER DRAWING		REV B		

单击下面可查看定价，库存，交付和生命周期等信息

[>>TE Connectivity\(泰科\)](#)