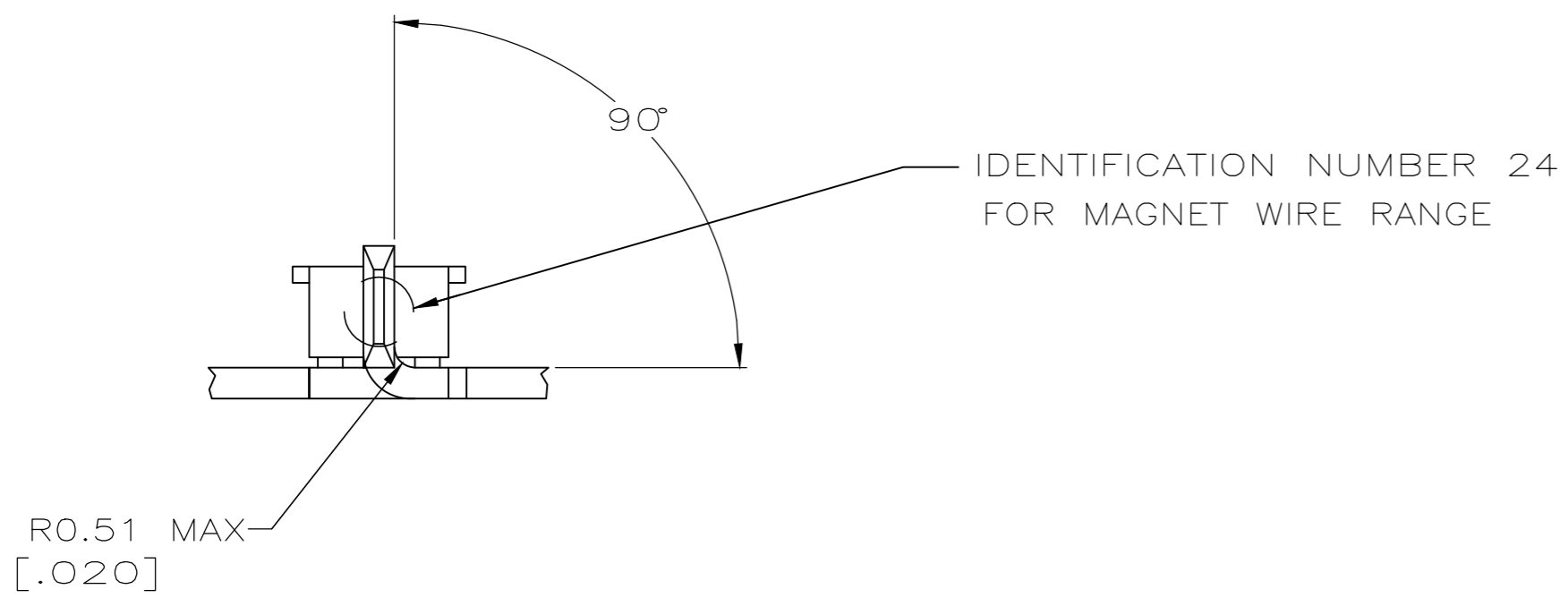
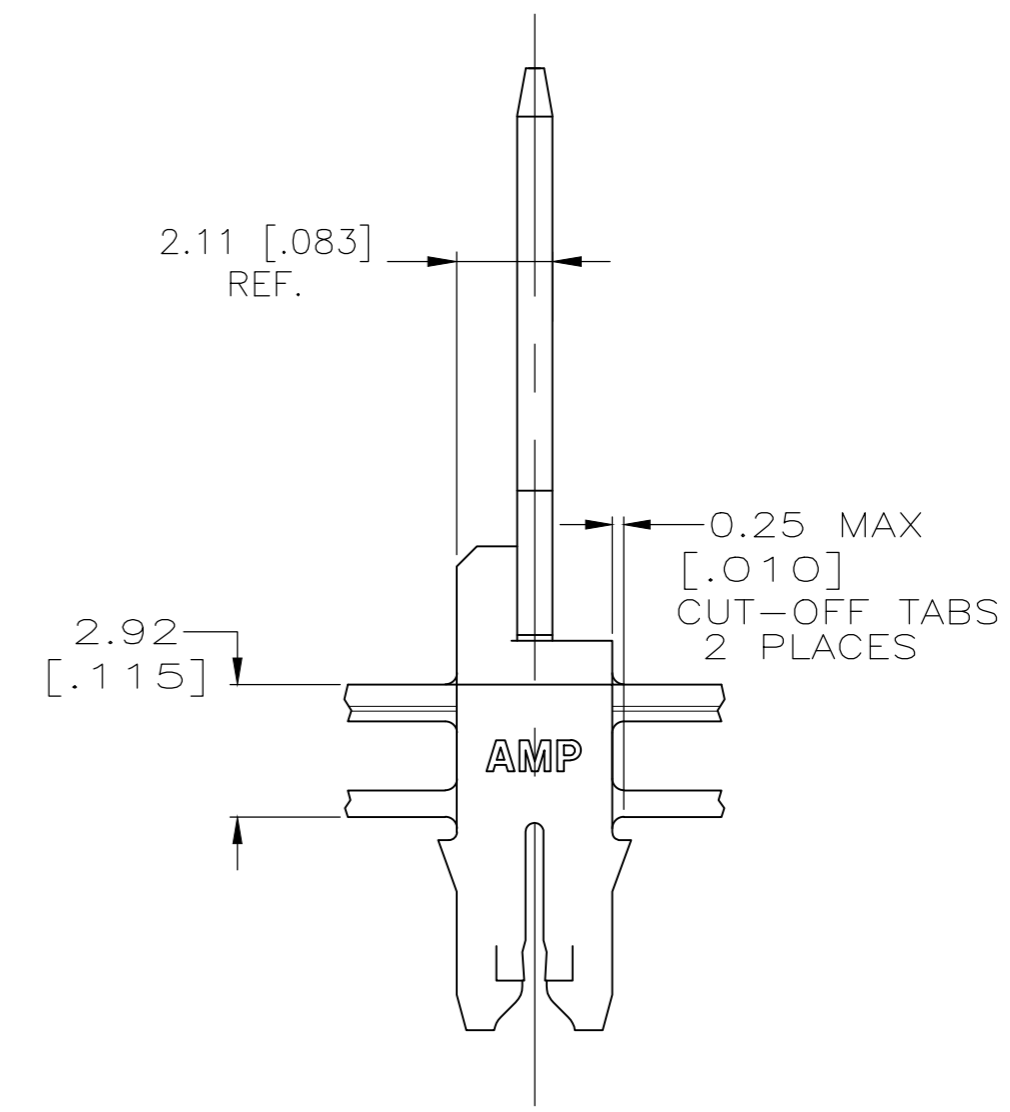
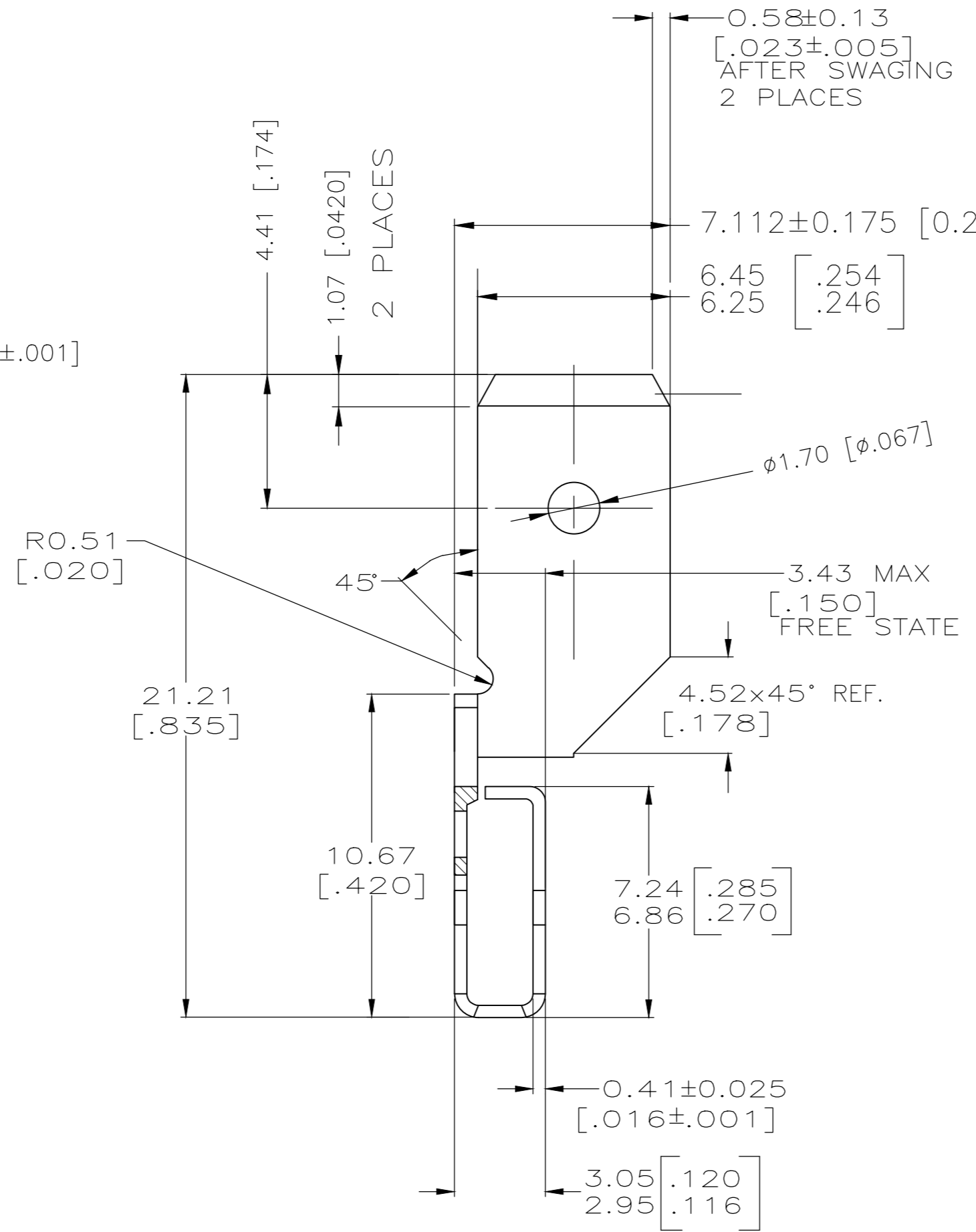
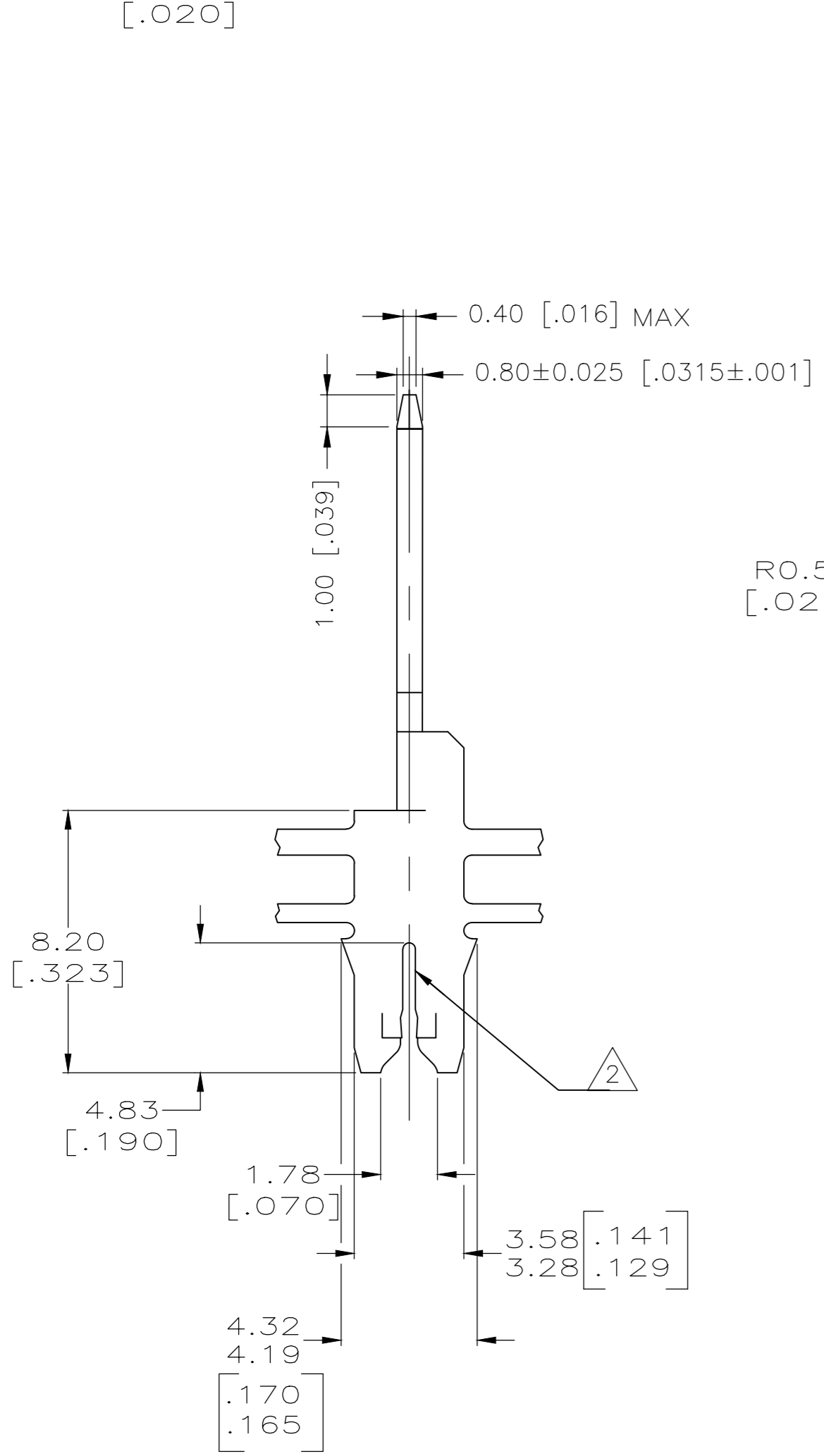


THIS DRAWING IS UNPUBLISHED. RELEASED FOR PUBLICATION
 © COPYRIGHT - By - ALL RIGHTS RESERVED.

REVISIONS				
P	LTR	DESCRIPTION	DATE	APVD
B		REVISED PER ECR-19-004786	09APR2019	SE PKS



- 1 CONTINUOUS STRIP ON REELS WITH TERMINALS LOCATED ON 8.38±0.076 [.330±.003] CENTERS
- 2 SLOT ACCEPTS 0.91-1.15 mm [#19-#17 AWG] SINGLE COPPER MAGNET WIRE ONLY
 SLOT ACCEPTS 1.02-1.15 mm [#18-#17 AWG] SINGLE ALUMINUM MAGNET WIRE ONLY
- 3 REFER TO DWG 87-1039-3 FOR ADDITIONAL CAVITY INFORMATION (MODIFIED DEPTH)
- 4 ~~PRE-PRODUCTION FASR REQUIRED~~
- 5 0.0010 [.000040] MIN TIN PLATE



THIS DRAWING IS A CONTROLLED DOCUMENT.		DWN R.GRZYBOWSKI 24JUN97	FINISH 5		PAPER	2232556-1
DIMENSIONS: mm		CHK M.S.FEHER 24JUN97	SPICE		PART NUMBER	
TOLERANCES UNLESS OTHERWISE SPECIFIED:		APVD N.E.NEFF 24JUN97	TE Connectivity		NAME	
0 PLC ± -	1 PLC ± -	PRODUCT SPEC 108-2012	TAB, 6.30 [.250] CONNECTING, MAG-MATE		RESTRICTED TO	
2 PLC ± 0.25 [.010]	3 PLC ± -	APPLICATION SPEC 114-2046 3	SIZE A2	CAGE CODE 00779	DRAWING NO C=2232556	REV B
4 PLC ± -	ANGLES ± 5°	WEIGHT 0.000000	SCALE 6:1	SHEET 1 of 1		
MATERIAL PRE-MILLED BRASS	FINISH SEE TABLE	CUSTOMER DRAWING				

单击下面可查看定价，库存，交付和生命周期等信息

[>>TE Connectivity\(泰科\)](#)