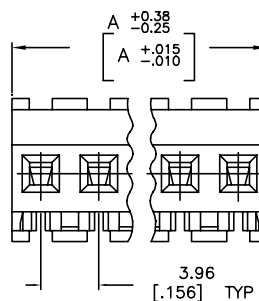
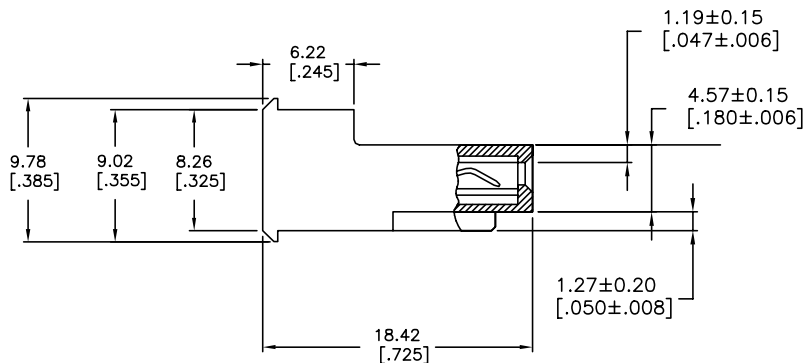
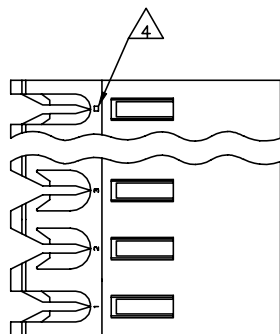


THIS DRAWING IS UNPUBLISHED. RELEASED FOR PUBLICATION
 © COPYRIGHT - By - ALL RIGHTS RESERVED.

LOC		DIST		REVISIONS				
P	LTN	DESCRIPTION		DATE	DN	APD		
T		REVISED PER	ECR-20-000824	29MAY2020	PC	SW		



DIM A	NO OF CIRCUITS	PART NO
95.10	[3.744]	24 5-640607-4
91.14	[3.588]	23 5-640607-3
87.17	[3.432]	22 5-640607-2
83.21	[3.276]	21 5-640607-1
79.25	[3.120]	20 5-640607-0
75.29	[2.964]	19 4-640607-9
71.32	[2.808]	18 4-640607-8
67.36	[2.652]	17 4-640607-7
63.40	[2.496]	16 4-640607-6
59.44	[2.340]	15 4-640607-5
55.47	[2.184]	14 4-640607-4
51.51	[2.028]	13 4-640607-3
47.55	[1.872]	12 4-640607-2
43.59	[1.716]	11 4-640607-1
39.62	[1.560]	10 4-640607-0
35.66	[1.404]	9 3-640607-9
31.70	[1.248]	8 3-640607-8
27.74	[1.092]	7 3-640607-7
23.77	[.936]	6 3-640607-6
19.81	[.780]	5 3-640607-5
15.85	[.624]	4 3-640607-4
11.89	[.468]	3 3-640607-3
7.92	[.312]	2 3-640607-2
95.10	[3.744]	24 5-640607-4
91.14	[3.588]	23 5-640607-3
87.17	[3.432]	22 5-640607-2
83.21	[3.276]	21 5-640607-1
79.25	[3.120]	20 5-640607-0
75.29	[2.964]	19 4-640607-9
71.32	[2.808]	18 4-640607-8
67.36	[2.652]	17 4-640607-7
63.40	[2.496]	16 4-640607-6
59.44	[2.340]	15 4-640607-5
55.47	[2.184]	14 4-640607-4
51.51	[2.028]	13 4-640607-3
47.55	[1.872]	12 4-640607-2
43.59	[1.716]	11 4-640607-1
39.62	[1.560]	10 4-640607-0
35.66	[1.404]	9 3-640607-9
31.70	[1.248]	8 3-640607-8
27.74	[1.092]	7 3-640607-7
23.77	[.936]	6 3-640607-6
19.81	[.780]	5 3-640607-5
15.85	[.624]	4 3-640607-4
11.89	[.468]	3 3-640607-3
7.92	[.312]	2 3-640607-2

- 1 MATERIAL: CONNECTOR - NYLON UL94V-2 (WHITE)
CONTACTS - 0.30[.012] THICK COPPER ALLOY (BRIGHT TIN-LEAD 0.00203[.000080] MIN. THICK FOR CONTACTS 640607-2 THRU 2-640607-4) (MATTE WHISKER MITIGATED TIN 0.00203[.000080] MIN THICKNESS OVER NICKEL UNDERPLATE FOR 3-640607-2 THRU 5-640607-4).
- 2 CONTACTS ACCEPT 24 AWG WIRE WITH 2.41[.095] MAX INSULATION DIAMETER.
- 3 CONTACTS MUST ACCEPT 1.14±0.03[.045±.001] SQUARE POST AND REMAIN LOCKED IN POSITION.
- 4 IDENTIFICATION NUMBER FOR LAST CIRCUIT MAY NOT APPEAR ON ALL ASSEMBLIES.
- 5 DIMENSIONS IN BRACKETS ARE IN INCHES.
- 6 HOUSING FEATURES ARE: FEED-THRU WITHOUT LOCKING RAMP.
- 7 OBSOLETE PARTS: OBSOLETE CIS STREAMLINING PER D.RENAUD/D.SINISI
- 8 OBSOLETE PARTS

THIS DRAWING IS A CONTROLLED DOCUMENT.

DRW: B. LEWIS 12FEB91
 CHK: R. SWING 12FEB91
 APD: D. CLARK 19FEB91

TE Connectivity
 MTA-156 CONNECTOR ASSEMBLY, 24 AWG, STANDARD

108-1051
 APPLICATION SPEC 114-1020

MATERIAL: 1
 FINISH: 1

SIZE: A2 CAGE CODE: 00779 DRAWING NO: 640607
 WEIGHT: CUSTOMER DRAWING SCALE: 4:1 SHEET: 1 OF 1 REV: T

单击下面可查看定价，库存，交付和生命周期等信息

[>>TE Connectivity\(泰科\)](#)