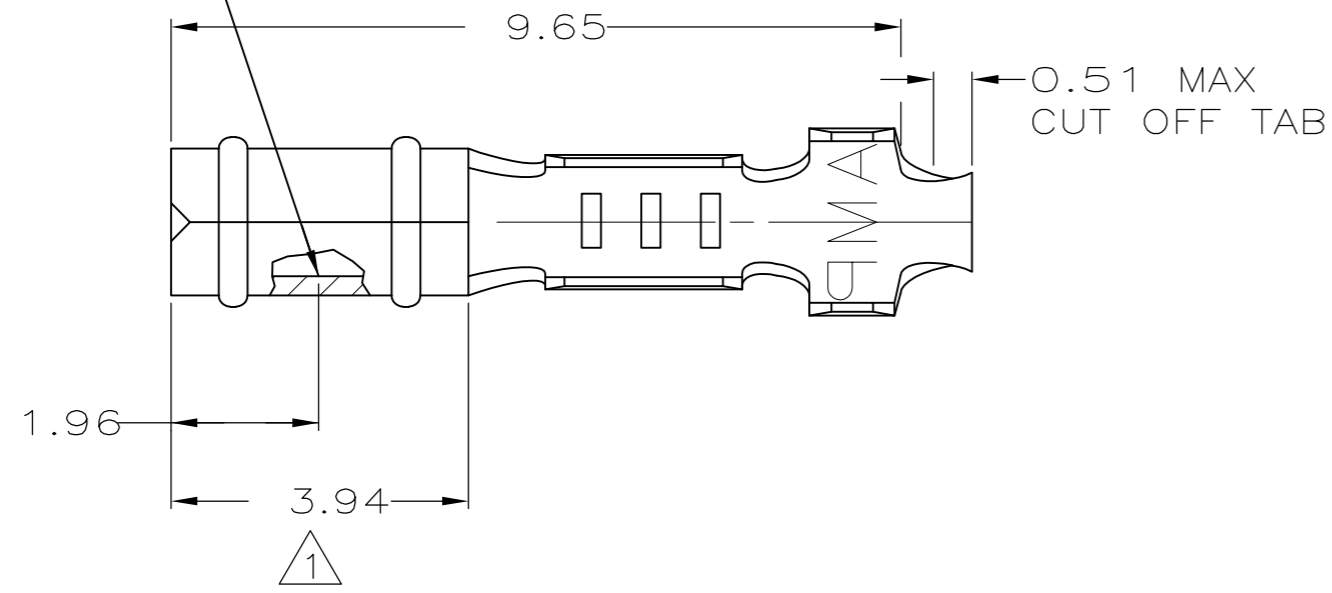


THIS DRAWING IS UNPUBLISHED. RELEASED FOR PUBLICATION  
 © COPYRIGHT - By - ALL RIGHTS RESERVED.

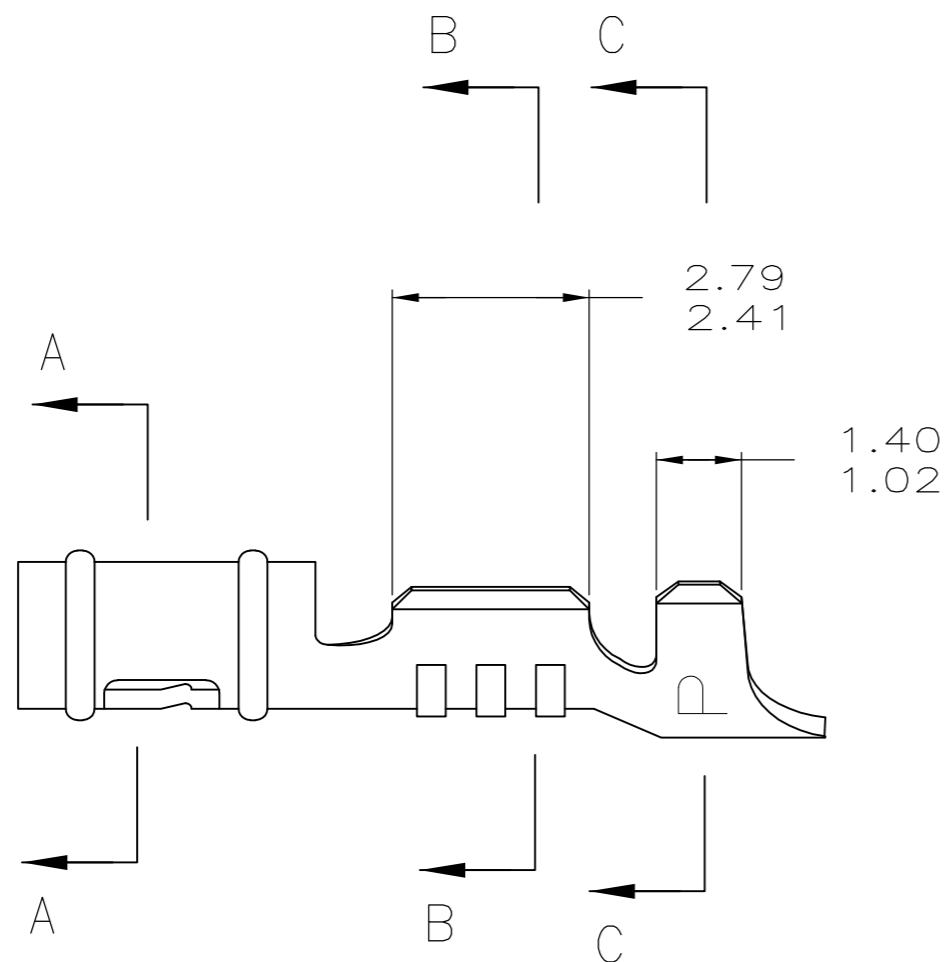
LOC		DIST		REVISIONS			
P	LTR	DESCRIPTION		DATE	DWN	APVD	
CM	52	Z1		REVISED PER ECO-11-004917	11MAR11	RK HMR	

- ⚠ 0.00076 MIN SELECTIVE GOLD PLATING ON INSIDE OF RECEPTACLE OVER NICKEL OVER ALL UNDERPLATE.
- 2. WIRE RANGE: 0.12 - 0.4 MM<sup>2</sup> (26 - 22 AWG)
- 3. INSULATION RANGE: 0.89 - 1.65

POINT OF MEASUREMENT  
 ⚠ 90° FROM SEAM



SECTION A-A



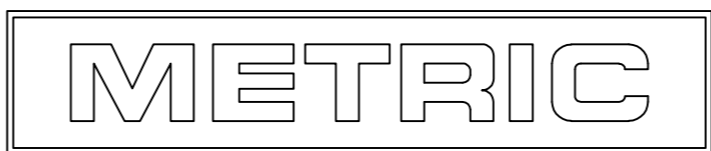
SECTION B-B

SECTION C-C

MATTE TIN	0.25 BE COPPER	60983-4
⚠	0.25 BE COPPER	60983-3
PRE-TIN	0.25 PH BRZ	60983-2
⚠	0.25 PH BRZ	60983-1
FINISH	MATERIAL	PART NUMBER

1.02	.040	1.65	.065	2.67	.105	-	-
0.89	.035	1.63	.064	2.41	.095	-	-
0.51	.020	1.486	.0585	2.29	.090	-	-
0.25	.010	1.47	.058	2.06	.081	9.65	.380
0.13	.005	1.40	.055	1.96	.077	3.94	.155
0.00076	.000030	1.359	.0535	1.91	.075	2.79	.110
MM	IN	MM	IN	MM	IN	MM	IN

CONVERSION TABLE



THIS DRAWING IS A CONTROLLED DOCUMENT.

DIMENSIONS:	TOLERANCES UNLESS OTHERWISE SPECIFIED:	DWN	6-11-97	TE Connectivity
mm		T. BECK		
		CHK	6-11-97	
		R. SWING		
		APVD	6-17-97	
		A. BEDDICK		
		PRODUCT SPEC		
		108-1025		
		APPLICATION SPEC		
		114-1008		
MATERIAL	FINISH	WEIGHT		
SEE TABLE	SEE TABLE	-		
		CUSTOMER DRAWING	SCALE 10:1	
			SHEET 1 OF 1	
			REV Z1	

单击下面可查看定价，库存，交付和生命周期等信息

[>>TE Connectivity\(泰科\)](#)