

4

3

2

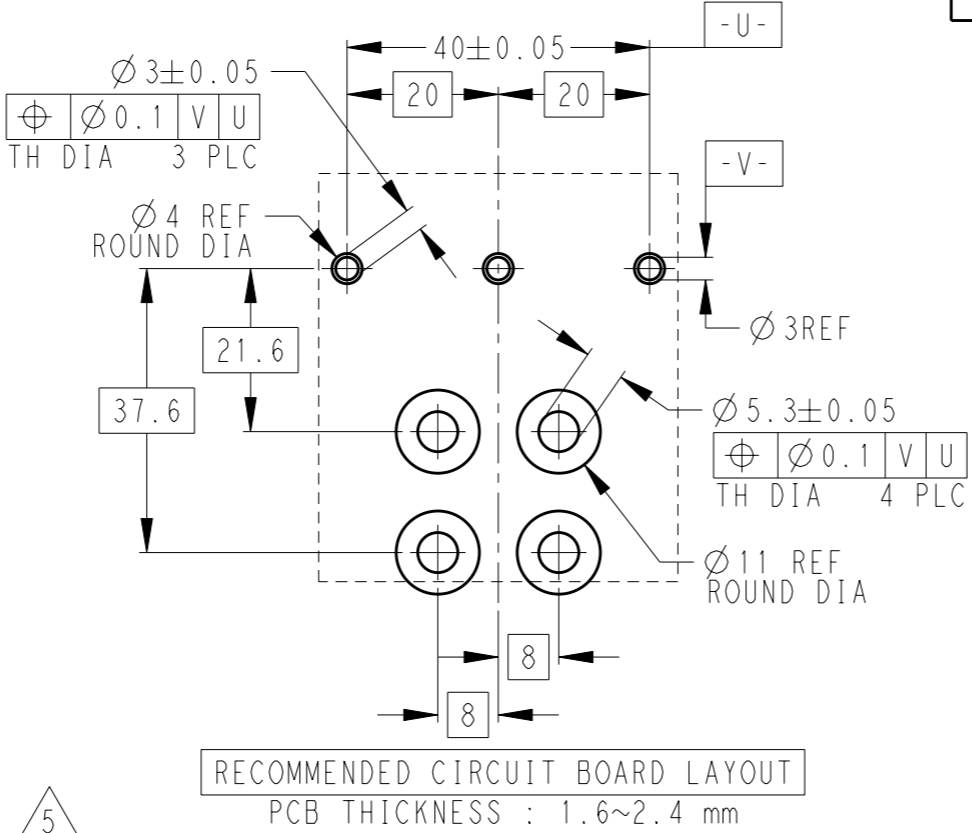
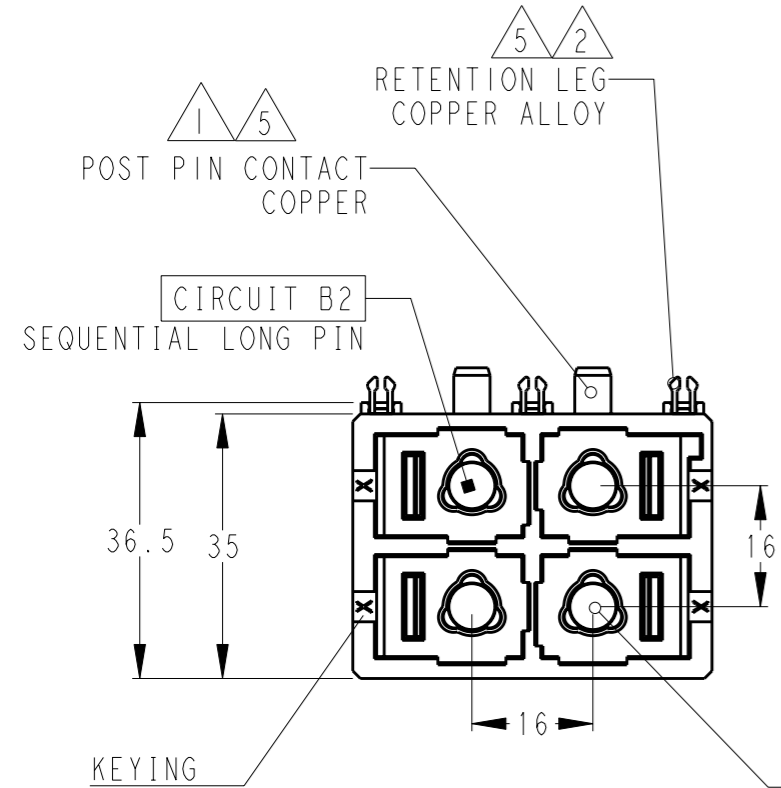
1

THIS DRAWING IS UNPUBLISHED. RELEASED FOR PUBLICATION 20

© COPYRIGHT 20 BY TYCO ELECTRONICS CORPORATION. ALL INTERNATIONAL RIGHTS RESERVED.

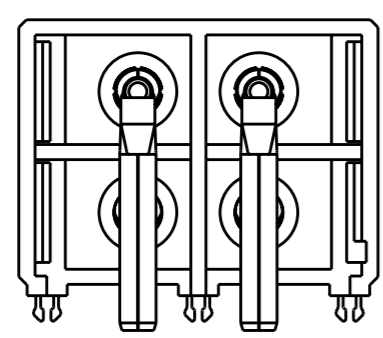
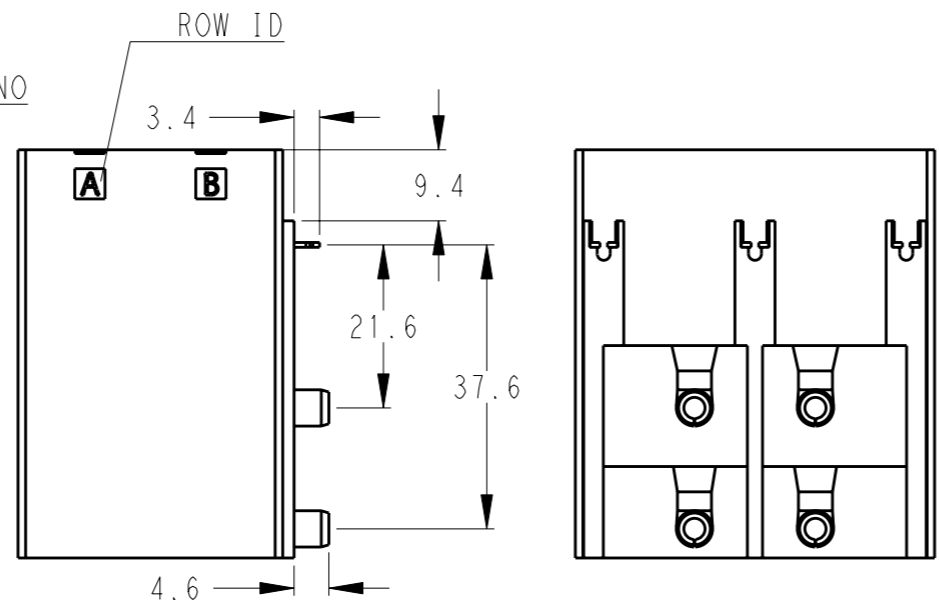
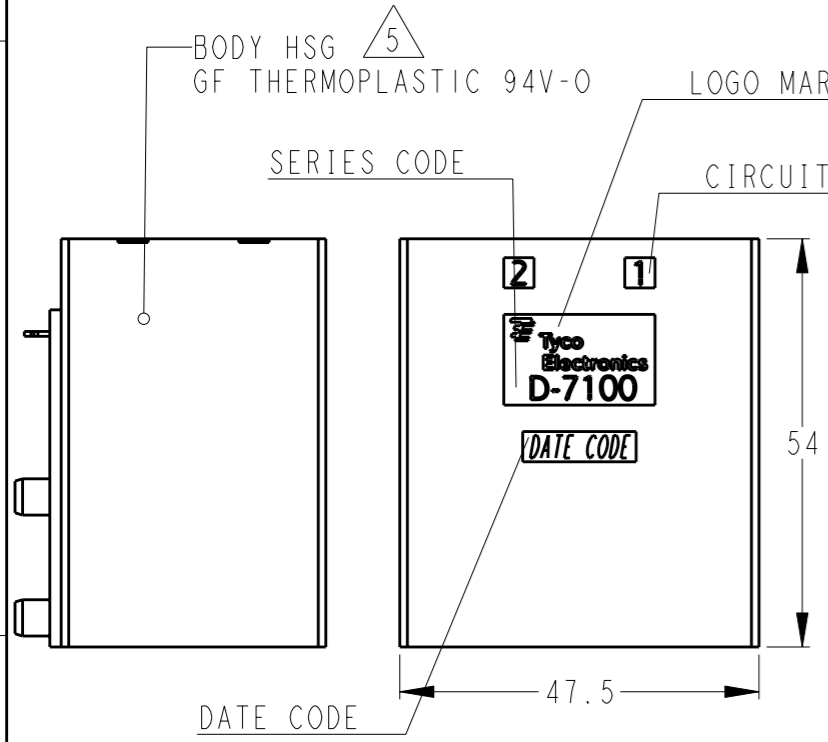
LOC	DIST	REVISIONS					
		P	LTR	DESCRIPTION	DATE	DWN	APVD
J	-		C	REVISED PER ECR-10-025568	15DEC2010	MM	NY

AS SHOWN : 1981823-1



APPLICATED CONNECTOR 2134055-*

- 1 FINISH: SILVER PLATED ALL OVER 0.00254mm MIN AFTER NICKEL PLATED ALL OVER 0.0013mm MIN.
- 2 FINISH: TIN PLATED ALL OVER 0.002mm MIN AFTER NICKEL PLATED ALL OVER 0.0013mm MIN.
- 3. THE SHAPE, SIZE AND POSITION OF THE CHARACTER SHOW THE OUTLINE. THEY DONT SHOW DETAILS.
- 4. CONTACT OUR SALES ABOUT ANOTHER KEYING PRODUCT.
- 5 MATERIAL



<small>THIS DRAWING IS A CONTROLLED DOCUMENT FOR TYCO ELECTRONICS CORPORATION IT IS SUBJECT TO CHANGE AND THE CONTROLLING ENGINEERING ORGANIZATION SHOULD BE CONTACTED FOR THE LATEST REVISION.</small>		DWN 31JUL2010 M. MAEBASHI CHK 31JUL2010 N. YAMASAKI APVD 31JUL2010 N. YAMASAKI		Tyco Electronics Corporation Kawasaki, Japan	
DIMENSIONS: mm 		TOLERANCES UNLESS OTHERWISE SPECIFIED: $\pm 1.0, \pm 5^\circ$		NAME DYNAMIC D7100 16.0mmPITCH HEADER ASSEMBLY (RIGHT ANGLE TYPE) 4POS	
MATERIAL 5		FINISH 1 2		PRODUCT SPEC 108-78470 APPLICATION SPEC - WEIGHT -	
CUSTOMER DRAWING		SCALE 1:1		SHEET 1 OF 1 REV C	

单击下面可查看定价，库存，交付和生命周期等信息

[>>TE Connectivity\(泰科\)](#)