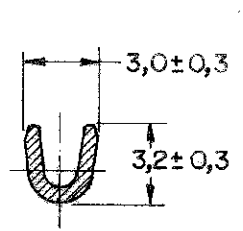
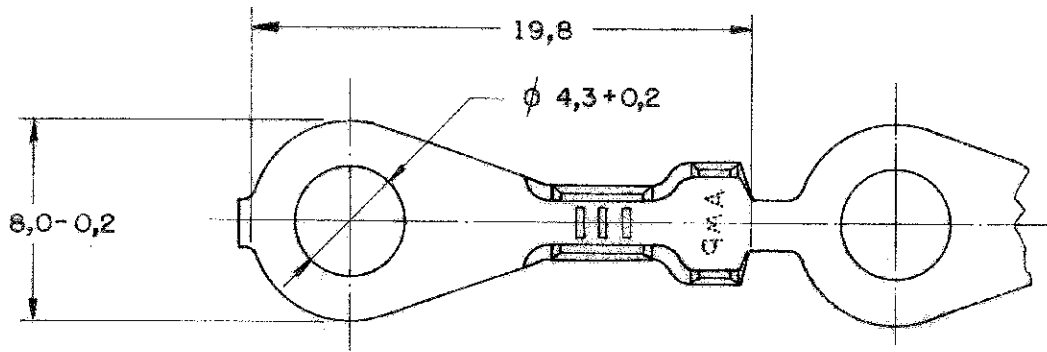
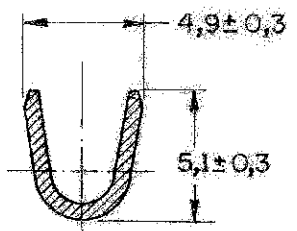


C 880626

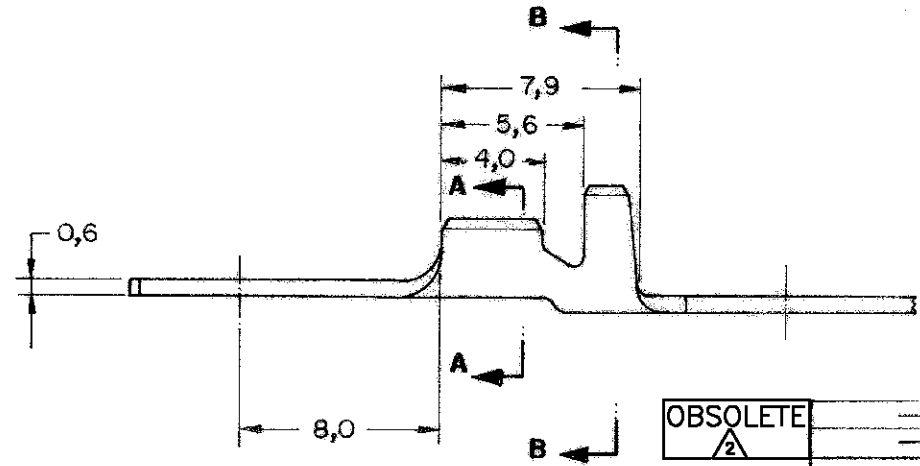
DO NOT SCALE		METRIC		3rd ANGLE PROJECTION
DIMENSIONS IN mm.				
REQ PER ASSY	ITEM	DESCRIPTION	MATERIAL	FINISH



CORTE A-A
SECTION



CORTE B-B
SECTION



OBSELETE
2

ESTANHADO	TIN PLATED	LATÃO	BRASS	4
ESTANHADO	TIN PLATED	BRONZE FOS.	PHOS. BRONZE	3
ESTANHADO	TIN PLATED	LATÃO	BRASS	-2
ESTANHADO	TIN PLATED	LATÃO	BRASS	880626 -1
LOOSE PIECE	FINISH	MATERIAL	PART NUMBER	
CUSTOMER DWG for REFERENCE ONLY		THIS DRAWING IS UNPUBLISHED / RELEASED FOR PUBLICATION		
		COPYRIGHT © BY AMP DO BRASIL LTDA S.A. ALL INTERNATIONAL RIGHTS RESERVED AMP PRODUCTS MAY BE COVERED BY U.S. AND FOREIGN PATENTS AND/OR PATENT PENDING.		
		TOLERANCES UNLESS OTHERWISE STATED	INS. DIA. RANGE	WIRE RANGE
		DEC. ± 0,4	2,0-3,3 mm	0,5-1,0 mm
		ANGLES ± 1°	SCALE	5:1
		DR. D.A. Rocha	AMP AMP do BRASIL LTDA.	
		12-MAY-95	São Paulo, Brasil	
		CHK. 29-MAY-95	DESCRIPTION	
		J.P. Goldschmidt	RING TONGUE	
A4	REVISED PER ECO-09-026444	CHK. 26NOV09	REV	A4
A3	REV. ECO-08-007968	INCL. M-508	DESCRIPTION	
A2	REDRAWN WITHOUT CHANGE	216-95	DWG NO.	C 880626
REV	REVISION	RECORDED	DATE	SHEET
		ECN	CHK	1 of 1

- 1 - REBOBINAR INTERCALANDO COM PAPEL.
REREELING WITH PAPER INTERLEAVE
- 2 - OBSELETE PARTS: OBSELETE CIS STREAMLINING
PER D.RENAUD/D.SINISI

单击下面可查看定价，库存，交付和生命周期等信息

[>>TE Connectivity\(泰科\)](#)