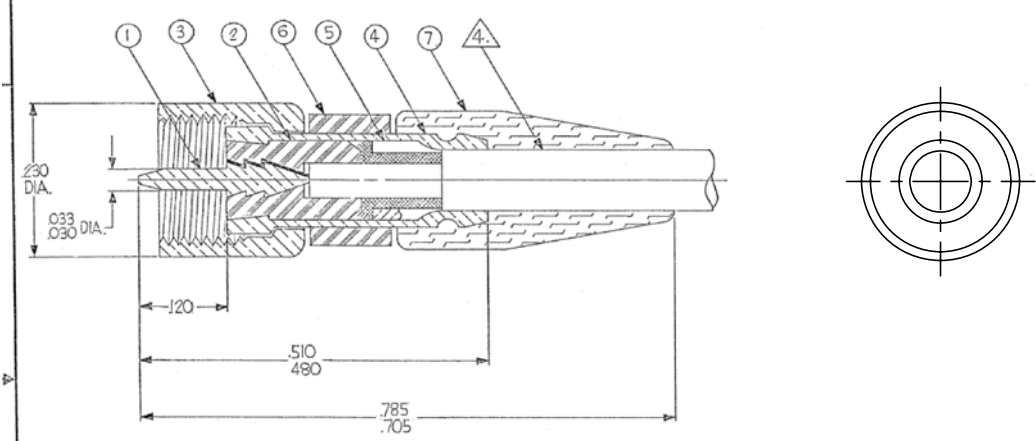


THIS DRAWING IS UNPUBLISHED. RELEASED FOR PUBLICATION
 © COPYRIGHT BY TYCO ELECTRONICS CORPORATION. ALL RIGHTS RESERVED.

LOC	DIST	REVISIONS			
P	LTR	DESCRIPTION	DATE	OWN	APPD
	W1	DRAWING MAINTENANCE	12-16-05	JDM	MKS

CORE	LTR	ECN	DESCRIPTION	DATE	APPROVED
U	26704		REVISE & REDRAW ORIGINAL RELEASE BY M.P.M. (11-10-93)	7-16-82	[Signature]
V	34837		ITEM 7 WAS 003-0031-0000	3-31-97	[Signature]
W	38487		UPDATE REV. LETTER	1-19-99	[Signature]
W1			SEE TYCO TITLE BLOCK		



NOTES: (UNLESS OTHERWISE SPECIFIED)
 1. THIS CONNECTOR MATES W/ ALL S-50 JACKS & RECEPTACLES AS LISTED IN MALCO CATALOG
 2. FOR ASSEMBLY INSTRUCTIONS SEE RF-ASMB-88.
 3. MALCO ASSEMBLY TOOL *010-0003-0000 REQUIRED.
 △ CABLE ACCEPTANCE DIMENSIONS: JACKET DIAMETER .087 MAX.
 SHIELD DIAMETER .061 MAX.
 DIELECTRIC DIA. .050 MAX.
 INNER CONDUCTOR DIA. .012 NOM.
 △ SILVER PLATE PER QQ-S-365, TYPE II, GRADE A, .0002 MIN.
 △ GOLD PLATE PER MIL-G-45204, TYPE II, GRADE C, CLASS I.
 △ 190-32 UNF-2B THREAD
 △ MALE DIAMOND KNURL.

FINISH	PART OR IDENTIFYING NO.	NOMENCLATURE OR DESCRIPTION	MATERIALS	ITEM NO.
	003-0270-0000	BEND RELIEF CAP	SILICONE RUBBER, 1Z-R-765	7
	003-0597-0001	PIN PROTECTOR	TEFLON, L-P-403	6
	003-0163-0001	RING	BRASS, QQ-B-626	5
	003-0160-0001	FERRULE	BRASS, QQ-B-626	4
	003-0029-0001	NUT	BRASS, QQ-B-626	3
	003-0027-0001	INSULATOR	TEFLON, L-P-403	2
	003-0359-0002	PIN CONTACT	BRASS, QQ-B-626	1

UNLESS OTHERWISE SPECIFIED DIMENSIONS ARE IN INCHES	CONTRACT NO.	MALCO A MICRODOT COMPANY, INC. 220 PASADENA AVE., SO. PASADENA, CALIF. 91303	PROD. CODE
TOLERANCES ARE: FRACTIONS DECIMALS ANGLES .XX ± .010	APPROVALS	APPROVED	931
MATERIAL	DRAWN L. MATEO 6-29-92	CHECKED [Signature] 7-12-92	CODE
FINISH	PR. ENG. [Signature] 7-12-92	APPD.	CDM
NOTED	SIZE	CODE IDENT NO.	DRAWING NO.
NOTED	C	99278	032-0021-0001
NEXT ASSY	USED ON	SCALE	FORMS
APPLICATION	DO NOT SCALE DRAWING	SHEET 1 OF 1	

© 1992 MALCO GRAPHICS/ADAPTECH INC. DRAWING NO. 1217

DIMENSIONS:		TOLERANCES UNLESS OTHERWISE SPECIFIED:		OTHER INFORMATION	
INCHES	0 PLC ± -	1 PLC ± -	2 PLC ± -	3 PLC ± .010	4 PLC ± -
	ANGLES				
MATERIAL	FINISH	WEIGHT	SCALE	SIZE	CAGE CODE
			NONE	A2	98278
CUSTOMER DRAWING		SCALE		SHEET 1 OF 1	

THIS DRAWING IS A CONTROLLED DOCUMENT.		TYCO ELECTRONICS	
DRW D. MORALES 12-16-05	CHK M. STORRY 12-16-05	Tyco Electronics Corporation Harrisburg, PA 17105-3608	
DRW M. STORRY 12-16-05	NAME	PLUG, STRAIGHT S-50 SERIES MICRODOT P/N 032-0021-0001 TYCO P/N 1466292-1	
PRODUCT SPEC	APPLICATION SPEC	SIZE	CAGE CODE
		A2	98278
RESTRICTED TO	REV	W1	

单击下面可查看定价，库存，交付和生命周期等信息

[>>TE Connectivity\(泰科\)](#)