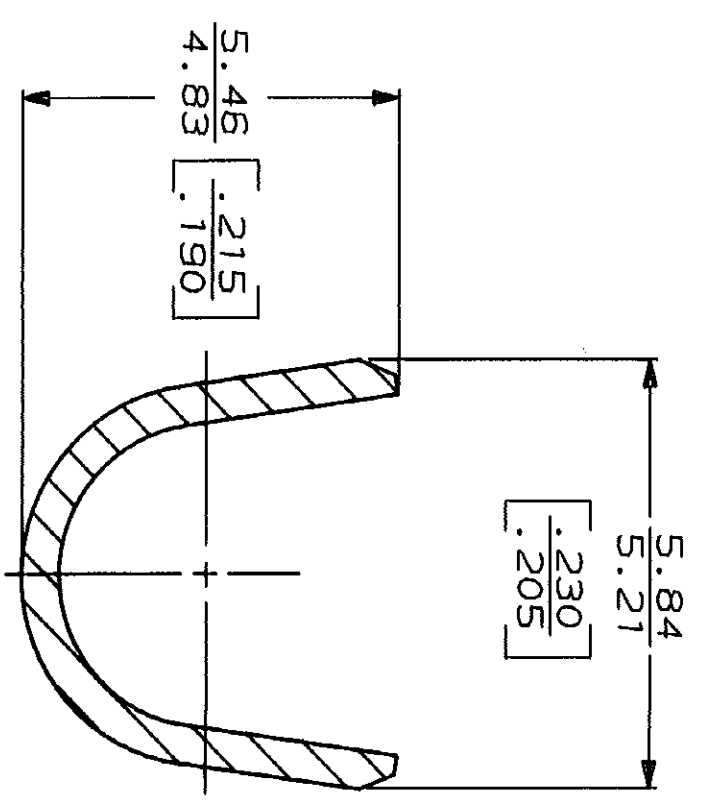
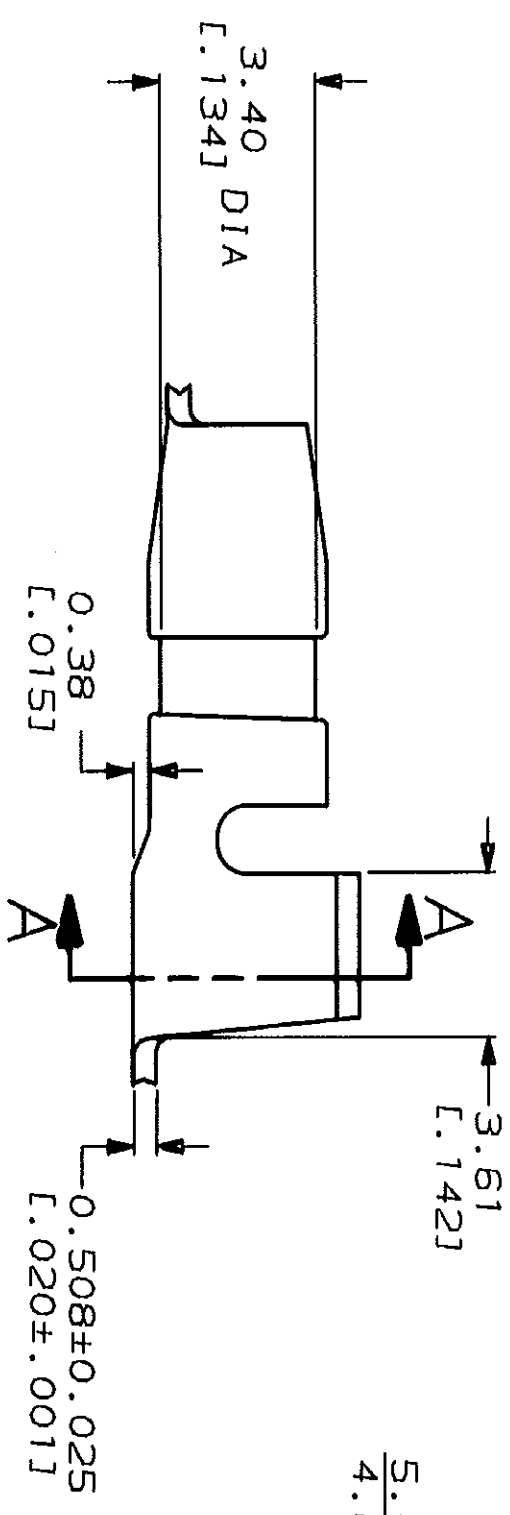
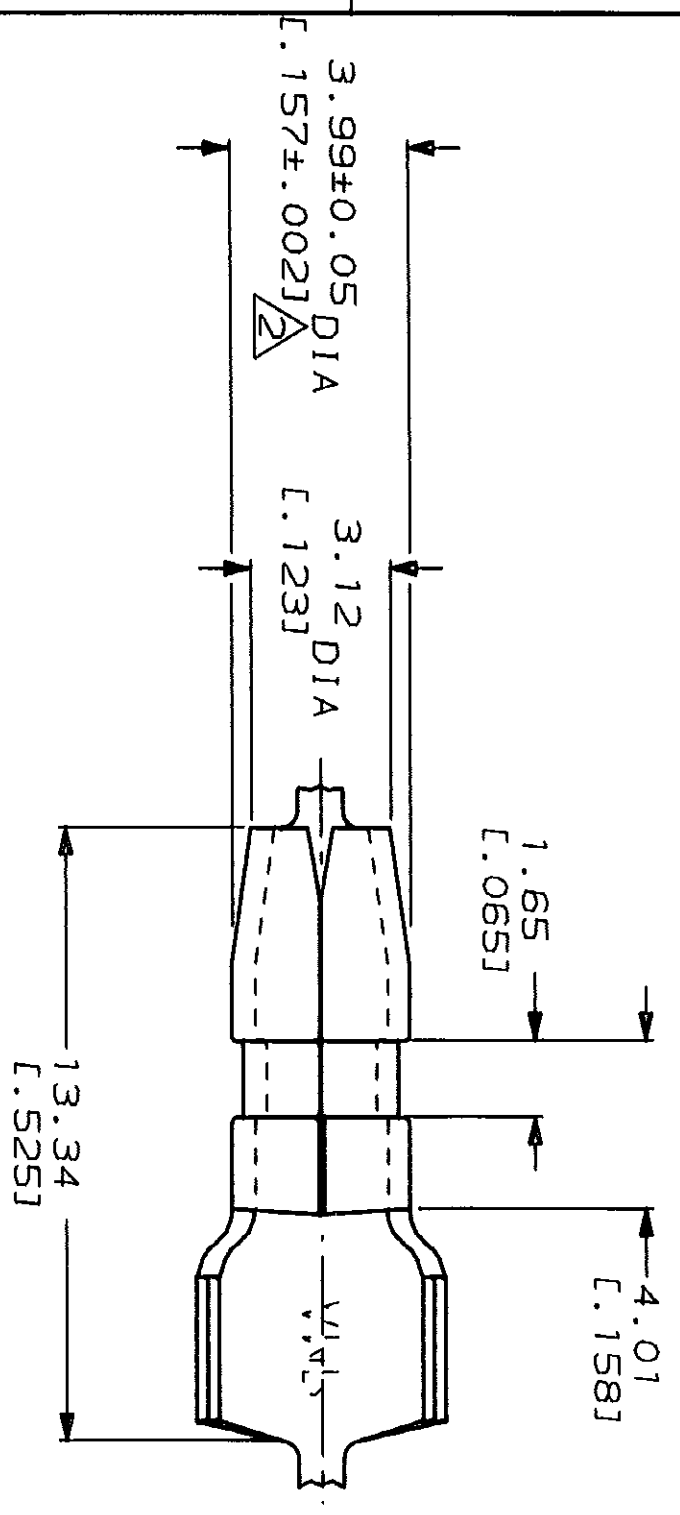


THIS DRAWING IS UNPUBLISHED. RELEASED FOR PUBLICATION BY AMP INCORPORATED. ALL INTERNATIONAL RIGHTS RESERVED.

LOC	DIST	P	F	ZONE	LTR	REVISIONS	DATE	APPO
AF	50				A	REDRAWN PER AF-6810	7/24/90	PF/JR



SECTION A-A
SCALE 10:1

- 1 CONTINUOUS STRIP ON REELS
- 2 TO BE HELD AFTER CRIMPING

DO NOT SCALE PRINT. UNLESS SPECIFIED DIMENSIONS IN INCHES! TOLERANCES ON: 2 PLC DEC ± 0.38 [L.015] 3 PLC DEC ± . . . ANGLES ± . . .		INSULATION RANGE		WIRE RANGE		PART NO	
MATERIAL: #2 HARD BRASS		3.18-4.06 DIA [L.125-.160]		0.8mm ² -2.0mm ² [18-14] AWG		41698	
FINISH: 0.03302 [L.000130] MAX PRE-TIN PER MIL-T-10727		DR 7/23/90 P FORNEY		AMP		AMP Incorporated Harrisburg, PA 17105-3608	
APPLICATION SPEC		CHK 7/23/90 JR RUTH		NAME		SHUR PLUG, 3.98 [L.156] DIA	
WEIGHT -		APPD 7/23/90 S VETTER		SIZE		CAGE CODE	
SCALE 6:1		APPD R KUD0		B		00779	
SHEET 1 OF 1		PRODUCT SPEC		DRAWING NO		41698	



单击下面可查看定价，库存，交付和生命周期等信息

[>>TE Connectivity\(泰科\)](#)