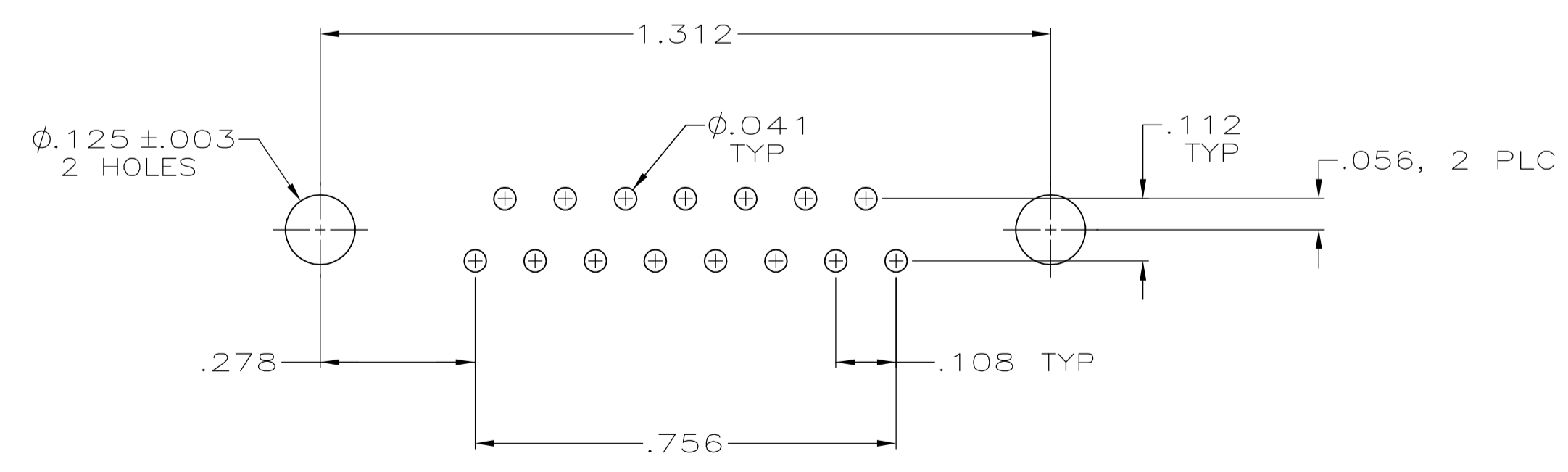
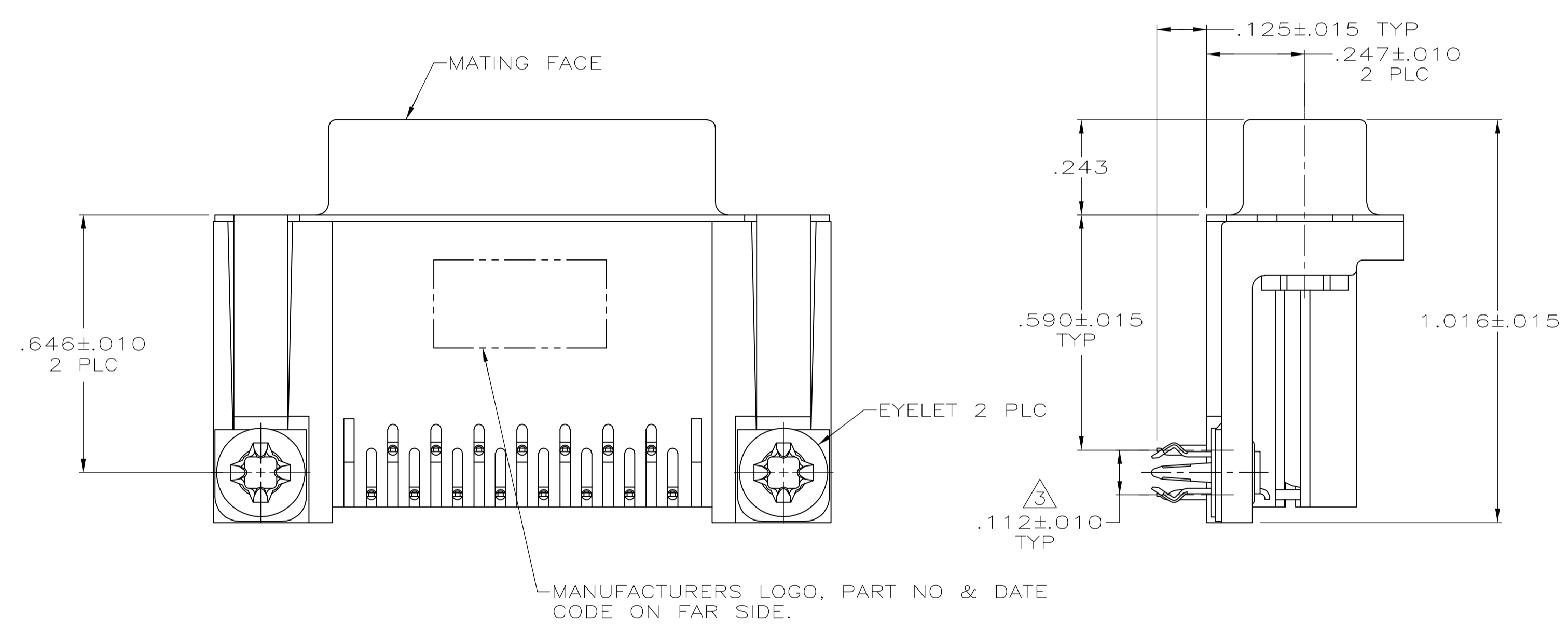


- 1 MOLDED PARTS: FLAME RETARDANT 94V-0 RATED THERMOPLASTIC, BLACK.
SHELL: CARBON STEEL
CONTACTS: PHOSPHOR BRONZE
EYELETS: BRASS
INSERTS: ZINC
BOARDLOCKS: COPPER ALLOY
- 2 SHELL: .000100 MIN TIN OVER .000050 MIN COPPER.
CONTACTS: .000030 MIN GOLD FOR A DISTANCE OF .100 MIN FROM MATING END, .000100 MIN TIN ON TERMINATION END, ALL OVER .000050 MIN NICKEL ON ENTIRE CONTACT.
EYELETS: .000100 MIN TIN OVER COPPER FLASH.
BOARDLOCKS: .000150 MIN TIN OVER .000050 MIN NICKEL.
INSERTS: CLEAR CHROMATE
- 3 DIMENSION APPLIES TO CENTER LINE OF CONTACTS.



5747813-4
PART NUMBER

**COPYRIGHT 2005
 TYCO ELECTRONICS CORP
 ALL RIGHTS RESERVED**

THIS DRAWING IS A CONTROLLED DOCUMENT.		DIN G. ATTADIA - 04-06-05		Tyco Electronics Corporation	
		CHK S. BOLASH - 04-06-05		Harrisburg, PA 17105-3608	
DIMENSIONS: inches		APVD M. WALMSLEY - 04-06-05	NAME	RECEPTACLE ASSEMBLY, SIZE 2, RIGHT ANGLE, .590 SERIES, FRONT METAL SHELL, .026 DIA POSTS, BOARDLOCKS, AMPLIMITE HD-20	
TOLERANCES UNLESS OTHERWISE SPECIFIED:		PRODUCT SPEC	108-40025	APPLICATION SPEC	
0 PLC ± -		SIZE	114-40010	CUSTOMER DRAWING	
1 PLC ± -		WEIGHT	A1 00779	SCALE 4:1 SHEET 1 OF 1 REV 0	
2 PLC ± -					
3 PLC ± .005					
4 PLC ± -					
ANGLES ± °					
MATERIAL 1					
FINISH 2					

单击下面可查看定价，库存，交付和生命周期等信息

[>>TE Connectivity\(泰科\)](#)