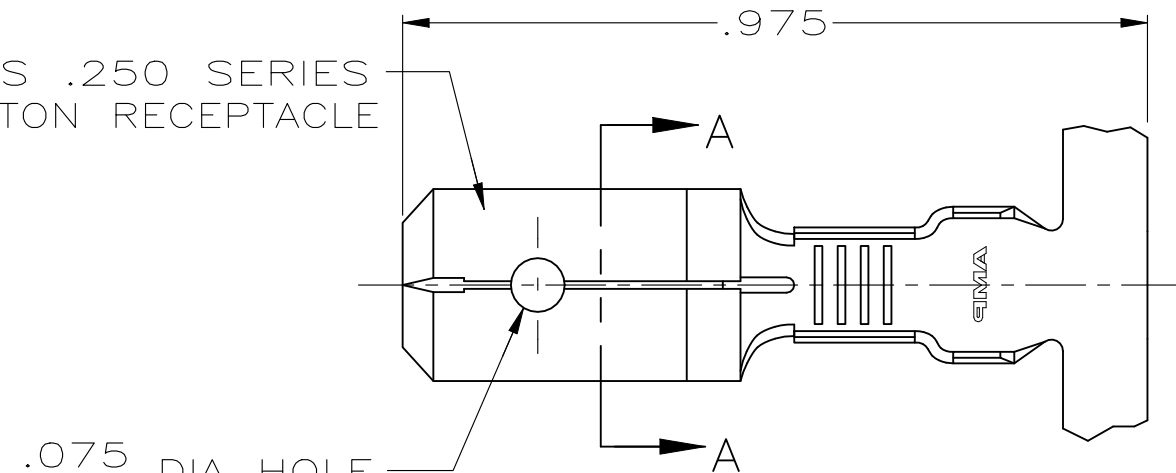


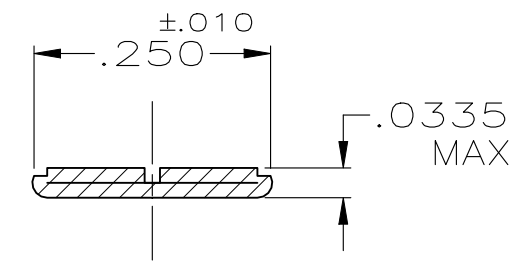
THIS DRAWING IS UNPUBLISHED. RELEASED FOR PUBLICATION  
 © COPYRIGHT - By - ALL RIGHTS RESERVED.

REVISIONS					
P	LTR	DESCRIPTION	DATE	DWN	APVD
	J2	REVISED PER ECR-20-101061	14JAN2021	BH	E.W

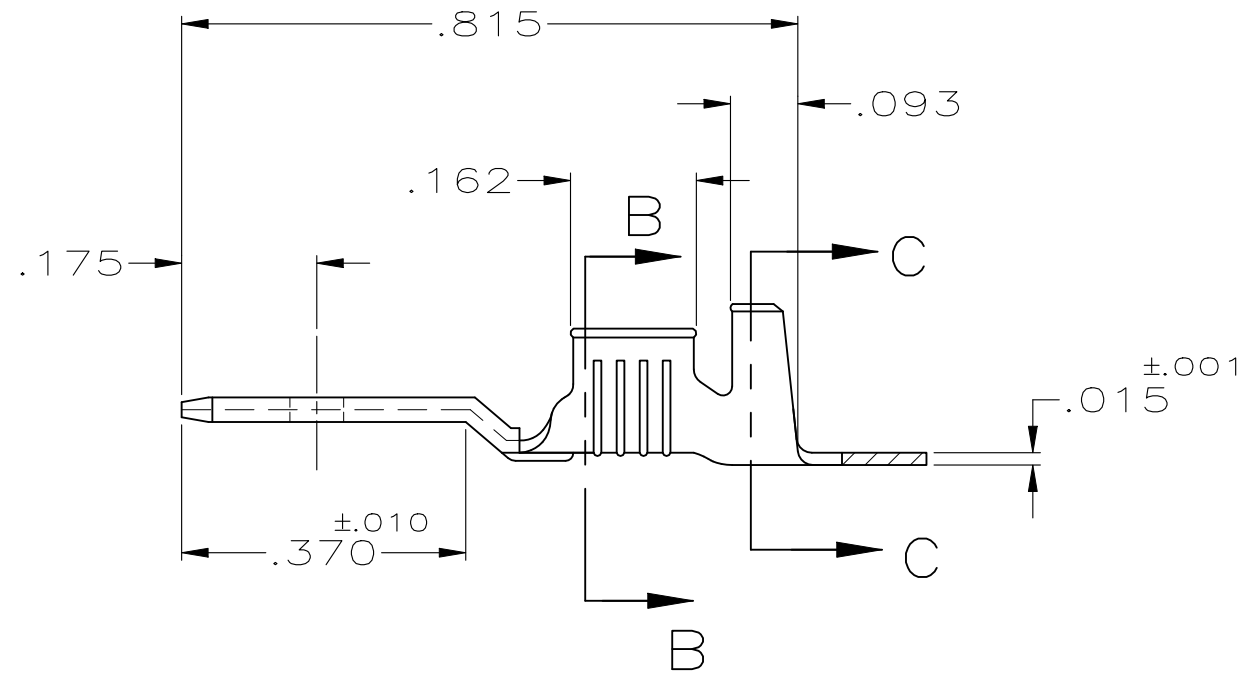
FITS .250 SERIES FASTON RECEPTACLE



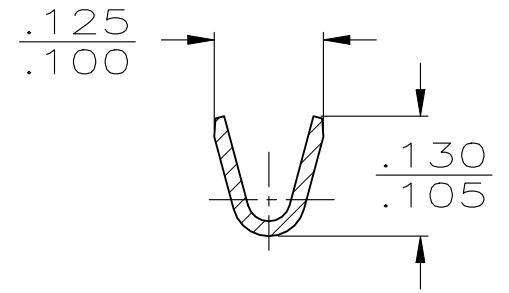
SECTION A-A  
SCALE 5:1



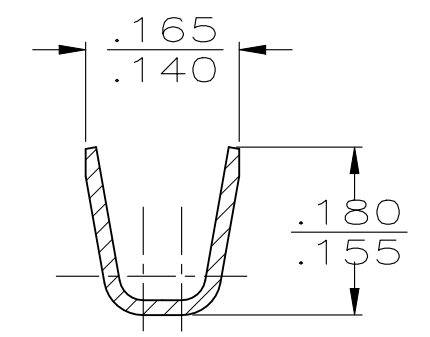
- 1 CONTINUOUS STRIP ON REELS.
- 2 FEED TO BE .540±.005.
- 3 REVERSED REEL OF 42475-1.
- 4 REVERSED REEL OF 42475-2.
- 5 FOREIGN PRODUCTION ONLY.



SECTION B-B  
SCALE 5:1



SECTION C-C  
SCALE 5:1



FINISH	INSULATION RANGE	WIRE SIZE	PART NO
4 PRE-TIN	.080-.120 DIA	22-18 AWG	42475-5
3 TIN			42475-4
5 -			42475-3
5 TIN			42475-2
5 -			42475-1

THIS DRAWING IS A CONTROLLED DOCUMENT.		DWN	JR RUTH	1/31/91	TE Connectivity NAME TAB, FASTON, .250 SERIES								
DIMENSIONS: INCHES		CHK	MS FEHER	1/31/91									
TOLERANCES UNLESS OTHERWISE SPECIFIED:		APVD	C MEYERS	1/31/91									
0 PLC ± - 1 PLC ± - 2 PLC ± - 3 PLC ± .015 4 PLC ± - ANGLES ± -		PRODUCT SPEC	-	-									
MATERIAL	BRASS	FINISH	SEE TABLE	WEIGHT	0.000000	SIZE	A3	CAGE CODE	00779	DRAWING NO	C-42475	RESTRICTED TO	-
CUSTOMER DRAWING						SCALE	4:1	SHEET	1 OF 1	REV	J2		

单击下面可查看定价，库存，交付和生命周期等信息

[>>TE Connectivity\(泰科\)](#)