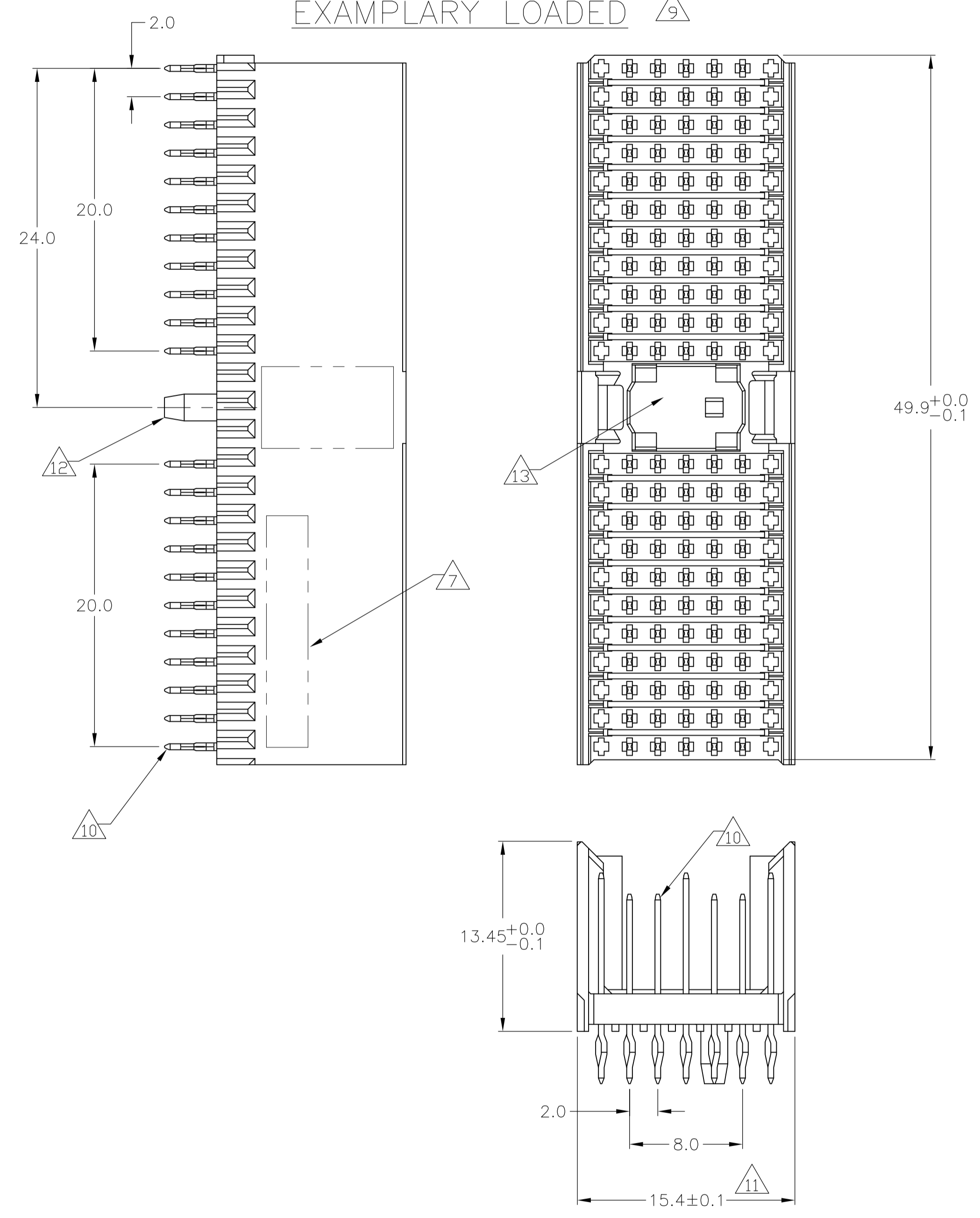
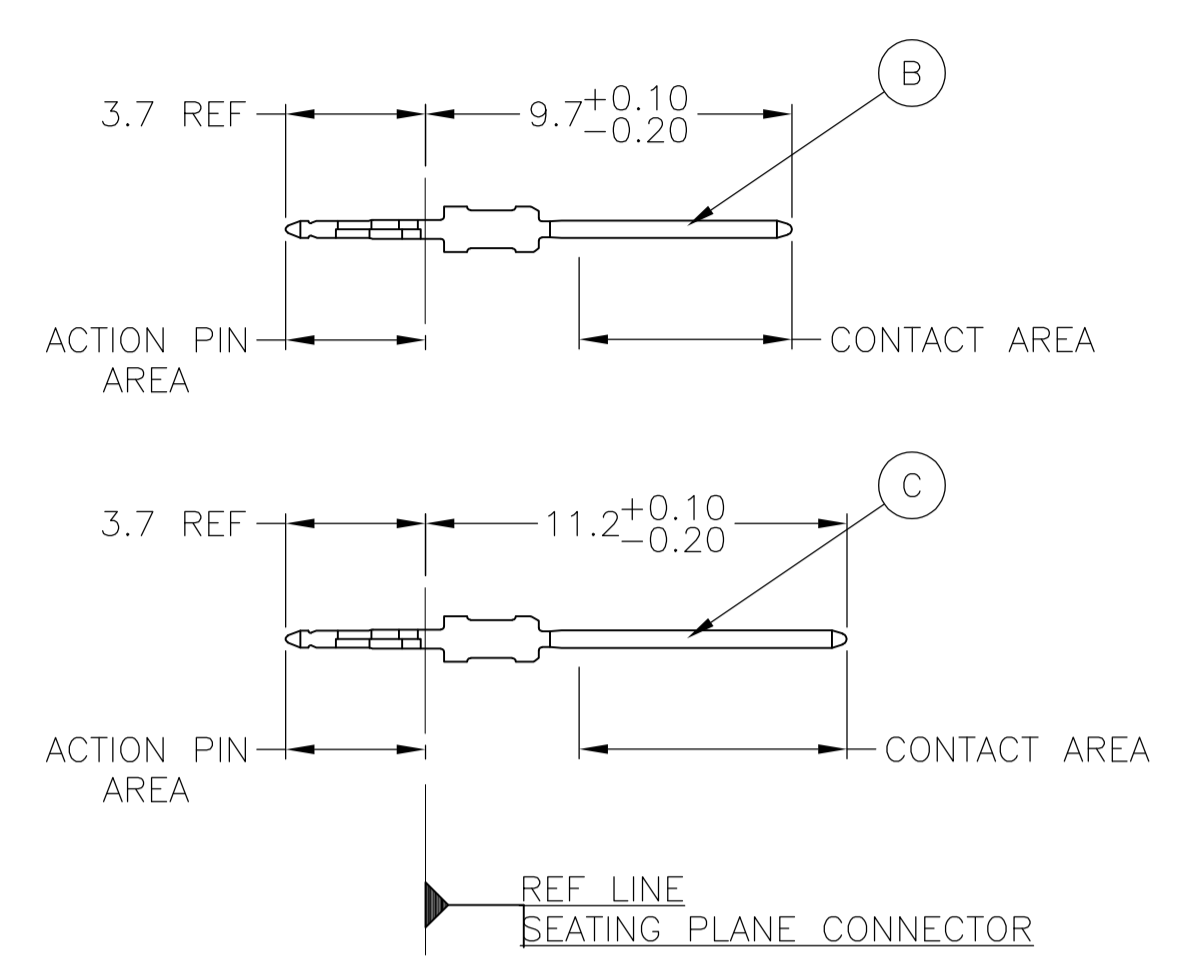


| LOC | | DIST | | REVISIONS | | | |
|-----|----|---------------------------|---------|-----------|-----|------|--|
| AD | 00 | REV | DATE | BY | CHK | APPV | |
| A1 | | REVISED PER ECO-08-006195 | 10MAR08 | DH | JE | | |
| B | | ECR-10-019054 | 15SEP10 | DP | MQW | | |

CONNECTOR ASSEMBLY EXAMPLARY LOADED



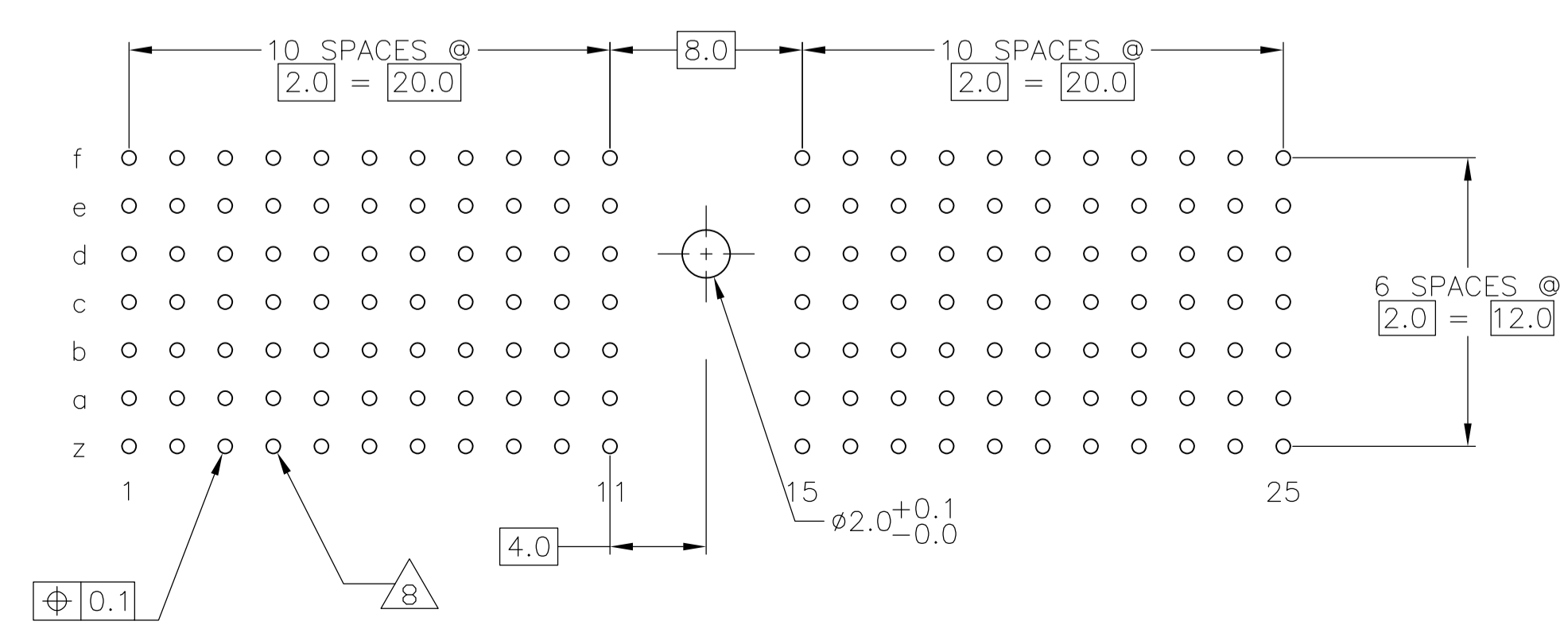
CONTACT DIMENSIONS SCALE 5:1



CONTACT LAYOUT

| | z | a | b | c | d | e | f |
|----------------------|---|---|---|---|---|---|---|
| 1 | C | B | B | C | B | B | C |
| 2 | C | B | B | C | B | B | C |
| 3 | C | B | B | C | B | B | C |
| 4 | C | B | B | C | B | B | C |
| 5 | C | B | B | C | B | B | C |
| 6 | C | B | B | C | B | B | C |
| 7 | C | B | B | C | B | B | C |
| 8 | C | B | B | C | B | B | C |
| 9 | C | B | B | C | B | B | C |
| 10 | C | B | B | C | B | B | C |
| 11 | C | B | B | C | B | B | C |
| MULTI PURPOSE CENTER | | | | | | | |
| 15 | C | B | B | C | B | B | C |
| 16 | C | B | B | C | B | B | C |
| 17 | C | B | B | C | B | B | C |
| 18 | C | B | B | C | B | B | C |
| 19 | C | B | B | C | B | B | C |
| 20 | C | B | B | C | B | B | C |
| 21 | C | B | B | C | B | B | C |
| 22 | C | B | B | C | B | B | C |
| 23 | C | B | B | C | B | B | C |
| 24 | C | B | B | C | B | B | C |
| 25 | C | B | B | C | B | B | C |

RECOMMENDED PCB-HOLE LAYOUT COMPONENT SIDE SHOWN



PLATED THRU HOLES PARAMETERS REFERENCE APPLICATION SPECIFICATION

| | | | |
|--------|---|----|-------------|
| 2 | 6 | 14 | 1-1645436-9 |
| 2 | 5 | 14 | 1645436-9 |
| 2 | 4 | | 1645436-4 |
| 2 | 3 | | 1645436-1 |
| FINISH | | | PART NUMBER |

| | | | | | |
|--|-----------|------------------|-----------|---|--|
| THIS DRAWING IS A CONTROLLED DOCUMENT. | | DIN D. HUMBERT | 21JAN08 | Tyco Electronics Corporation Harrisburg, Pa 17105-3608 | |
| DIMENSIONS: mm | | CHK J. FARY | 21JAN2008 | NAME | |
| TOLERANCES UNLESS OTHERWISE SPECIFIED: | | APVD J. FARY | 21JAN2008 | PRODUCT SPEC | |
| 0-PLC | ± | 108-19082 | | | |
| 1-PLC | ±0.1 | APPLICATION SPEC | | | |
| 2-PLC | ± | 114-19029 | | | |
| 3-PLC | ± | SIZE | | | |
| 4-PLC | ± | CAGE CODE | | | |
| ANGLES | ± | DRAWING NO | | | |
| MATERIAL | SEE TABLE | WEIGHT | | RESTRICTED TO | |
| 1 | | A1 00779 | | 1645436 | |
| CUSTOMER DRAWING | | SCALE 4:1 | | SHEET 1 OF 2 | |

| LOC | | DIST | | REVISIONS | | | |
|-----|-----|-------------|------|-----------|------|--|--|
| P | LTR | DESCRIPTION | DATE | DN | APVD | | |
| AD | 00 | SEE SHEET 1 | | | | | |

- 1 MATERIAL:
CONTACT: PHOSPHOR BRONZE.
HOUSING: GLASS-FILLED POLYESTER.
- 2 GENERAL PLATING SPECIFICATION: UNDERPLATING
(ENTIRE CONTACT): 1.27µm MIN NICKEL AND ACTION
PIN: 0.5µm MIN TIN/LEAD.
FOR PLATING OF MATING SURFACES SEE APPLICABLE
SPECIFICATION REFERENCE FOR EACH DASH NUMBER.
- 3 CONFORMS TO ALL TESTING ACCORDING TO IEC 61076-4-101
PERFORMANCE LEVEL 2.
- 4 CONFORMS TO ALL TESTING ACCORDING TO IEC 61076-4-101
PERFORMANCE LEVEL 1.
- 5 CONNECTOR TESTED AND QUALIFIED AGAINST TELCORDIA GR-1217-CORE QUALITY LEVEL 3,
CENTRAL OFFICE APPLICATIONS.
- 6 CONNECTOR TESTED AND QUALIFIED AGAINST TELCORDIA GR-1217-CORE QUALITY LEVEL 3,
UNCONTROLLED ENVIROMENT APPLICATIONS.
- 7 CONNECTOR MARKED WITH PART NUMBER AND DATE CODE.
ADDITIONAL CHARACTERS OR MARKINGS, AS WELL AS THE LOCATION OF THE MARKINGS,
MAY BE ADDED FOR TRACEABILITY BASED UPON MANUFACTURERS DISCRETION.
- 8 PLATED-THROUGH HOLES AT 2x2mm SQUARE GRID
PATTERN DEFINED BY CONTACT LAYOUT.
- 9 FOR ACTUAL PIN LOADING SEE "CONTACT LAYOUT".
- 10 FOR ACTUAL PIN DIMENSIONS SEE "CONTACT DIMENSIONS".
- 11 TO BE MEASURED AT BOTTOM OF SHROUD.
- 12 POLARIZATION FEATURE.
- 13 AREA RESERVED FOR KEYING PART (BASIC P/N 100525)
- 14 CONNECTOR LUBRICATED WITH BELCORE APPROVED LUBRICANT,
TECHNICAL REFERENCE: TR-NWT-001217 ISSUE 1, SEP 1992.

| | | | | | |
|--|--|---|--|---|--|
| THIS DRAWING IS A CONTROLLED DOCUMENT. | | DIN D. HUMBERT 21JAN08 | | Tyco Electronics Corporation Harrisburg, Pa 17105-3608 | |
| DIMENSIONS: mm | | TOLERANCES UNLESS OTHERWISE SPECIFIED: 0-PLC ± 1-PLC ± 0.1 2-PLC ± 3-PLC ± 4-PLC ± ANGLES | | APVD J. EARY 21JAN2008 | |
| | | ±0.2 | | NAME 108-19082 | |
| MATERIAL SEE SHEET 1 | | FINISH SEE SHEET 1 | | APPLICATION SPEC 114-19029 | |
| | | WEIGHT | | SIZE CAGE CODE DRAWING NO A1 00779 1645436 | |
| | | CUSTOMER DRAWING | | RESTRICTED TO SCALE 4:1 SHEET 2 OF 2 REV B | |

单击下面可查看定价，库存，交付和生命周期等信息

[>>TE Connectivity\(泰科\)](#)