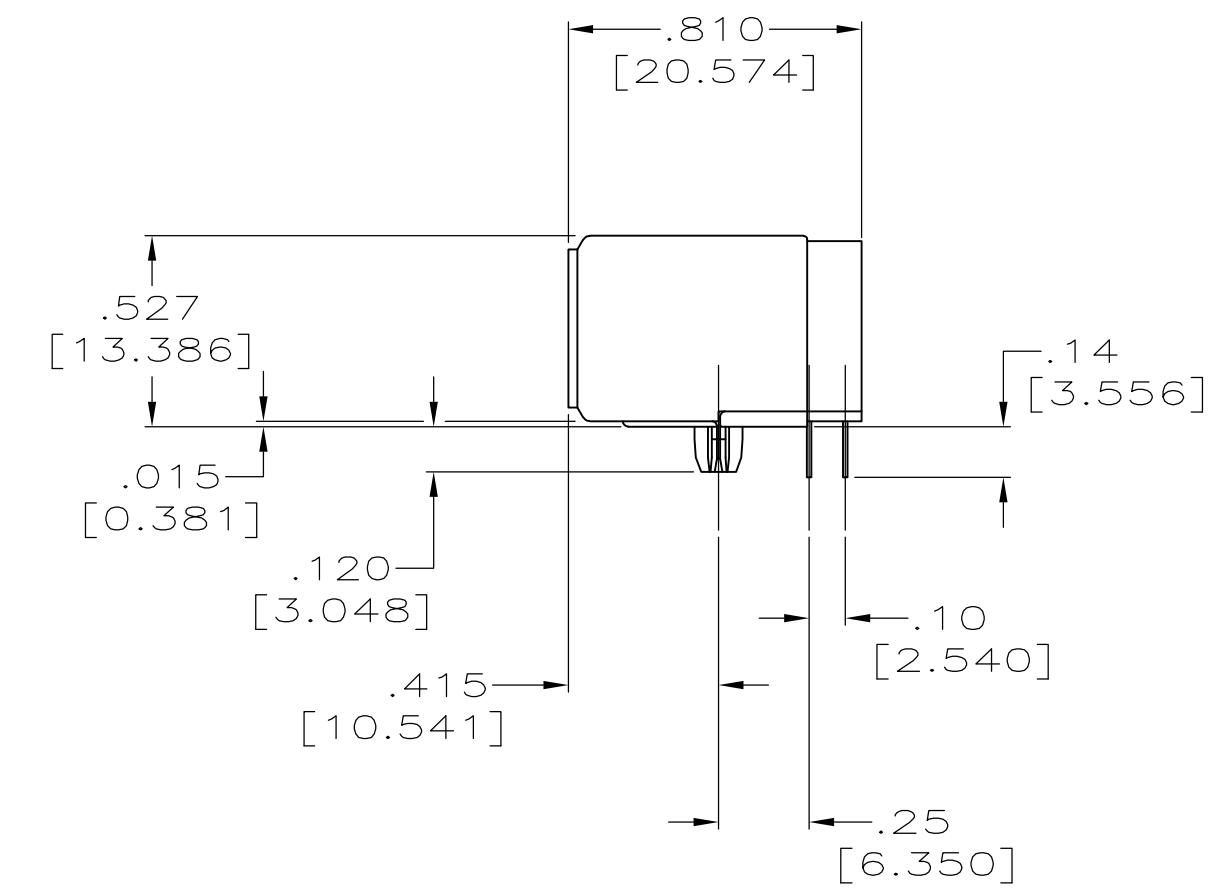
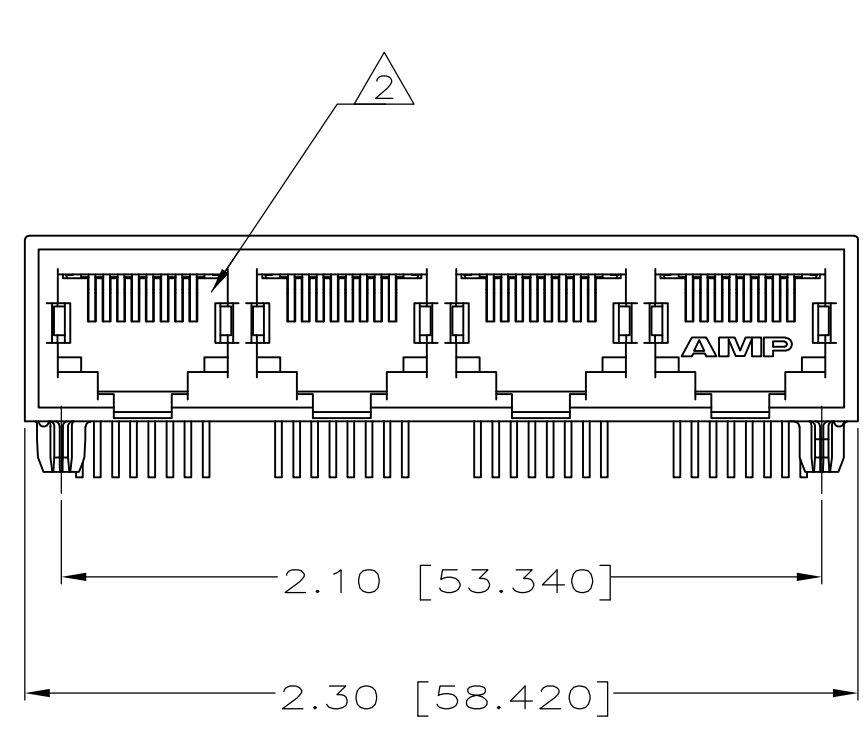
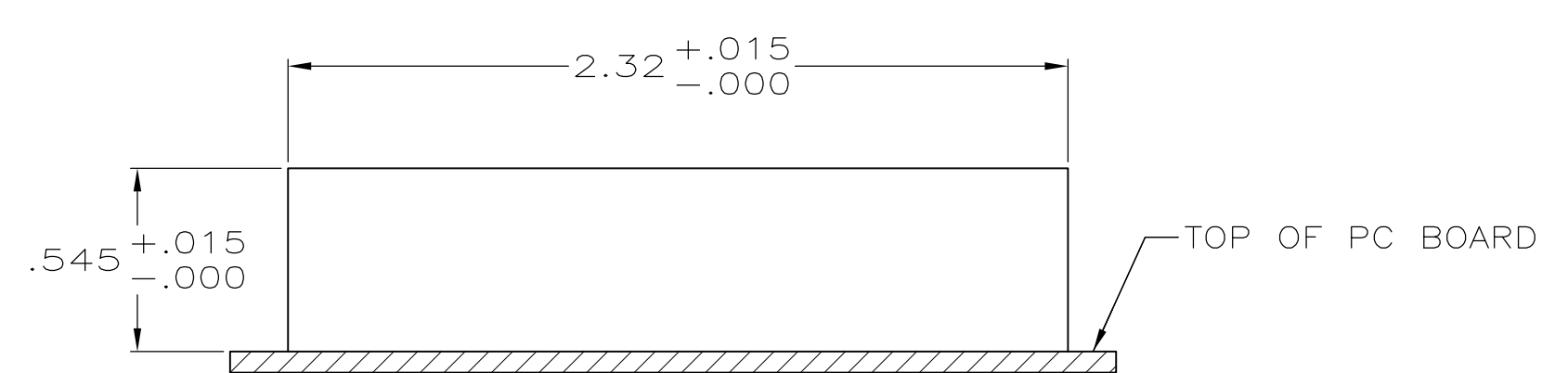
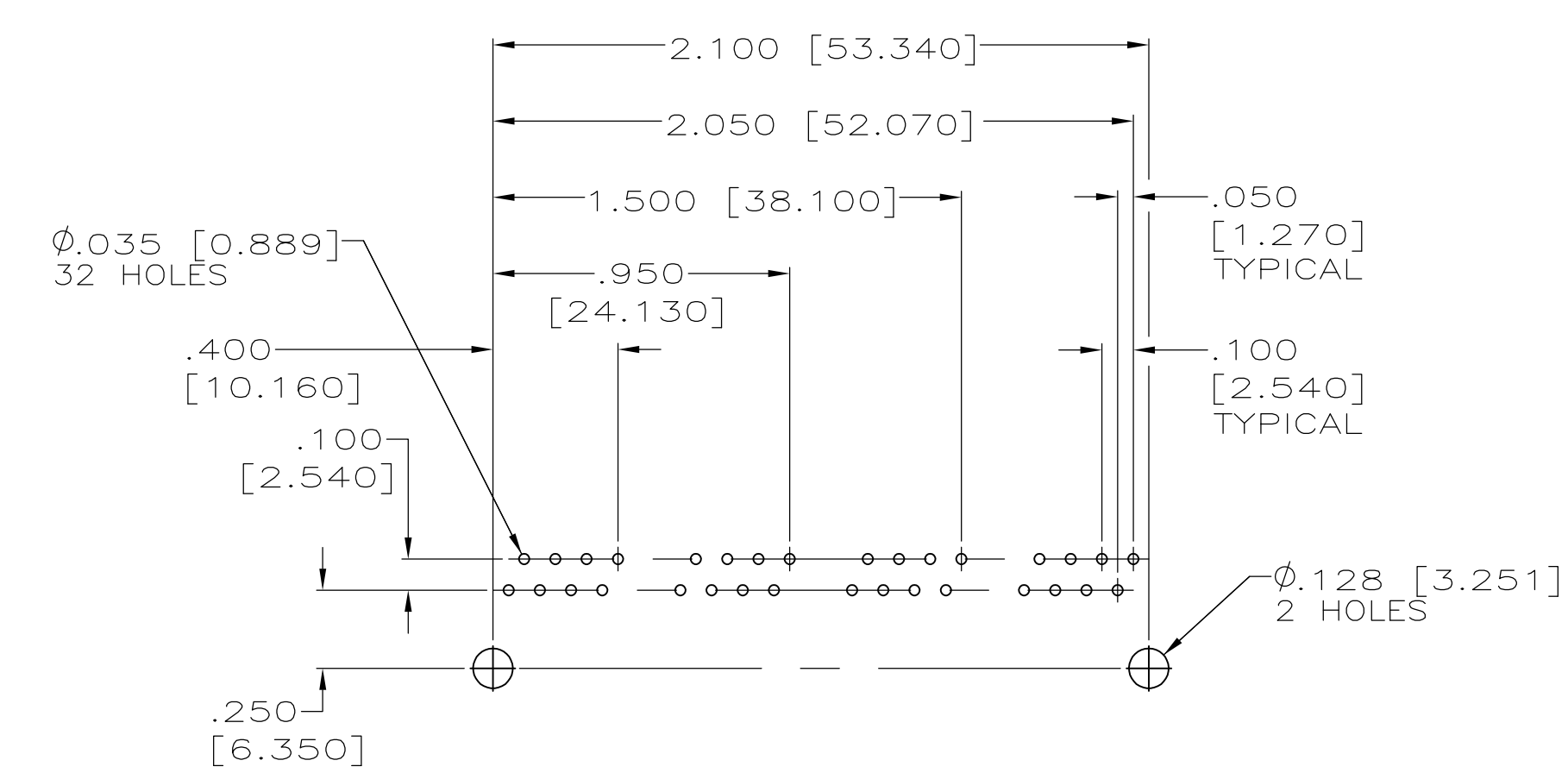


LOC	DIST	REVISIONS			
P	LTR	DESCRIPTION	DATE	OWN	APVD
AA	22	A1	REVISED PER ECO-11-005033	29MAR11	RK HMR



- 1. MATERIAL: HOUSING - HTN NYLON, BLACK, IR REFLOW PROCESSING COMPATIBLE, UL 94V-0. TERMINALS - .013[0.33] THICK PHOS BRONZE PLATED WITH .000050[1.27μm] THICK HARD GOLD IN LOCALIZED AREA AND .000150[3.81μm] THICK MATTE TIN IN SOLDER AREA OVER .000050[1.27μm] THICK NICKEL UNDERPLATE.
- 2. JACK CAVITY CONFORMS TO FCC RULES AND REGULATIONS, PART 68 SUBPART F.
- 3. ALL DIMENSIONS SHOWN ARE NOMINAL UNLESS OTHERWISE SPECIFIED.
- 4. ALL DIMENSIONS SHOWN IN BRACKETS [] ARE IN MILLIMETERS.



SUGGESTED PANEL CUTOUT

SUGGESTED PC BOARD LAYOUT
COMPONENT SIDE
SEE APPLICATION SPECIFICATION

5557562-1
PART NO.

THIS DRAWING IS A CONTROLLED DOCUMENT.		DWN G. ATTADIA - DOCK5 10JUN2005	TE Connectivity	
DIMENSIONS: mm[INCHES]		CHK J. WESTMAN 10JUN2005		
TOLERANCES UNLESS OTHERWISE SPECIFIED:		APVD S. FLICKINGER 10JUN2005	NAME MODULAR JACK ASSEMBLY, FOUR PORT, 8 POSITION, RIGHT ANGLE	
0 PLC ± - 1 PLC ± - 2 PLC ± .01[0.254] 3 PLC ± .005[0.127] 4 PLC ± - ± - ANGLES ± - ± -		PRODUCT SPEC 108-1392	SIZE A2	
MATERIAL 1		APPLICATION SPEC 114-2048	CAGE CODE 00779	DRAWING NO 5557562
FINISH 1		WEIGHT -	RESTRICTED TO -	
CUSTOMER DRAWING			SCALE 2:1	SHEET 1 of 1
			REV A1	

单击下面可查看定价，库存，交付和生命周期等信息

[>>TE Connectivity\(泰科\)](#)