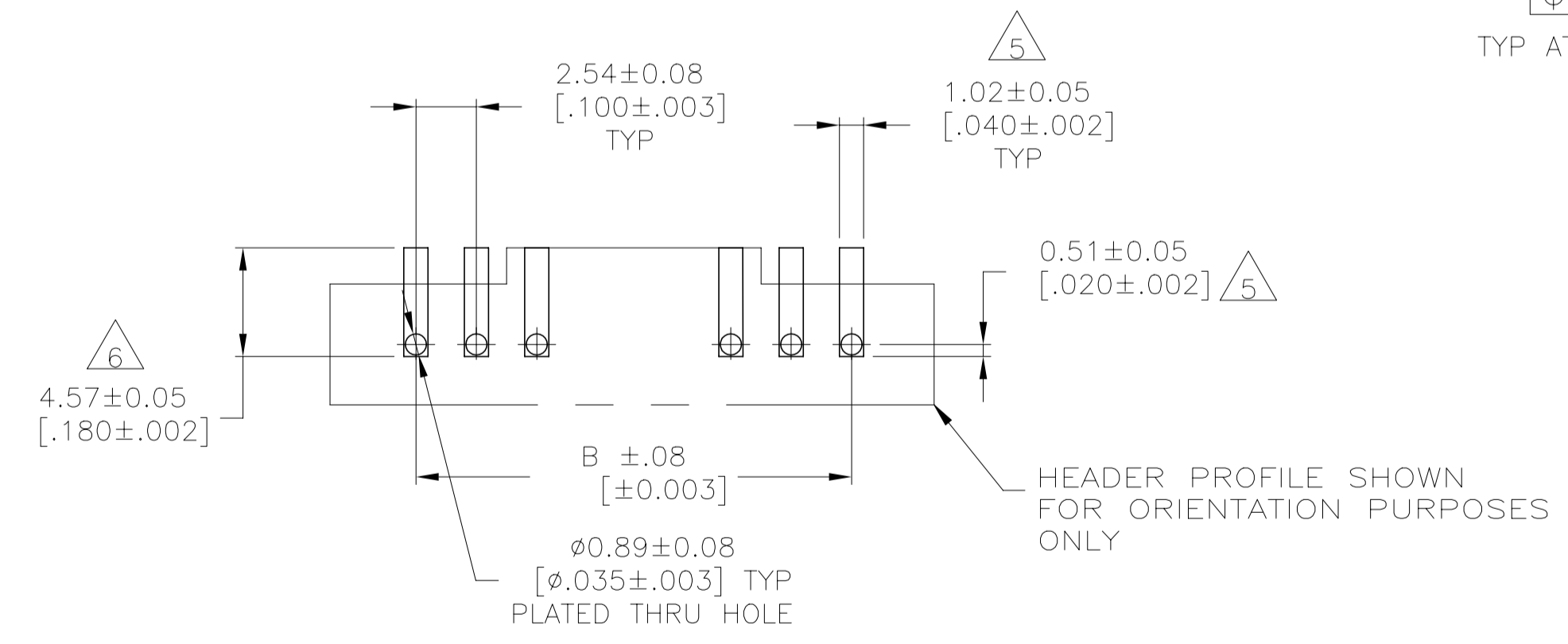
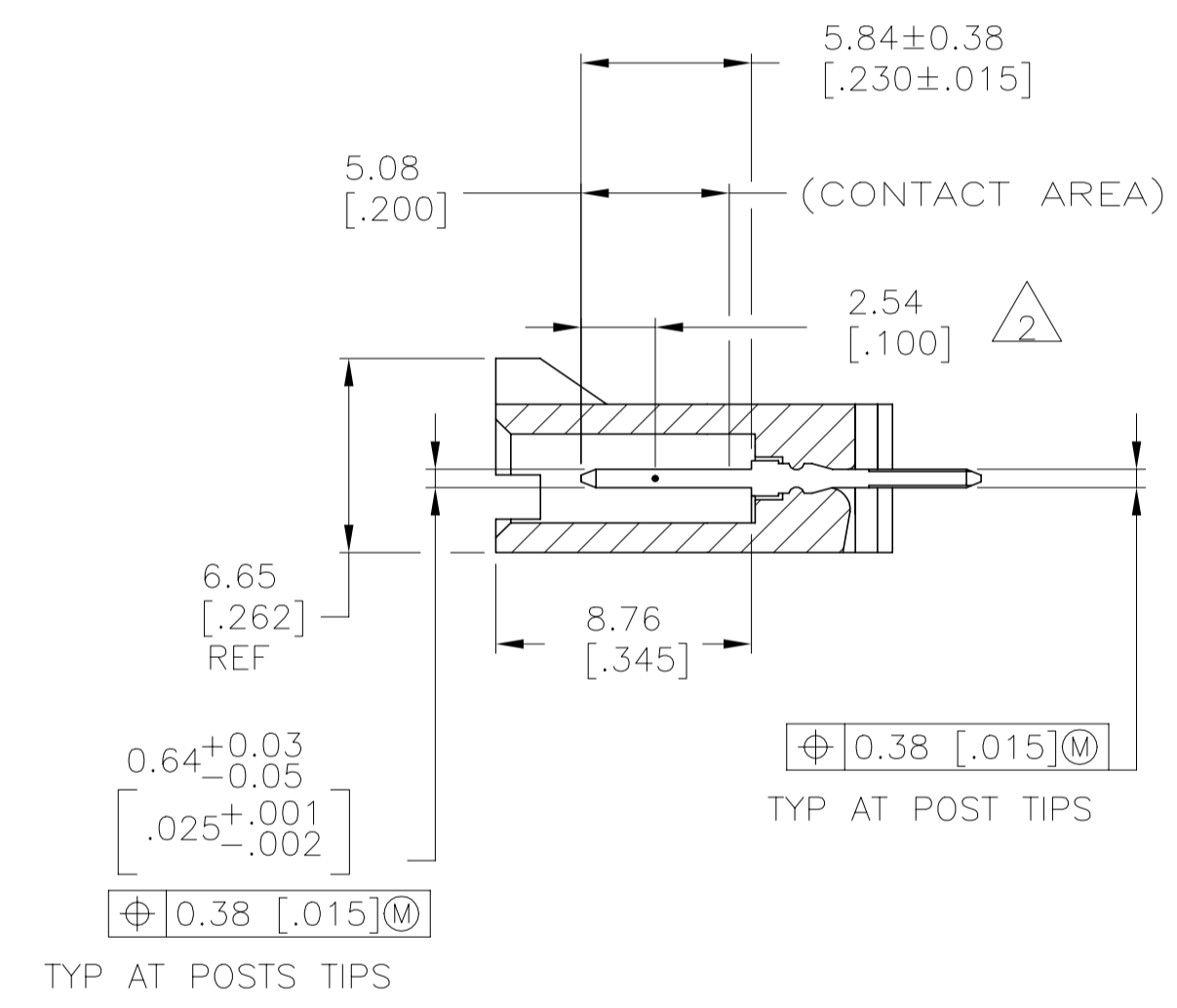
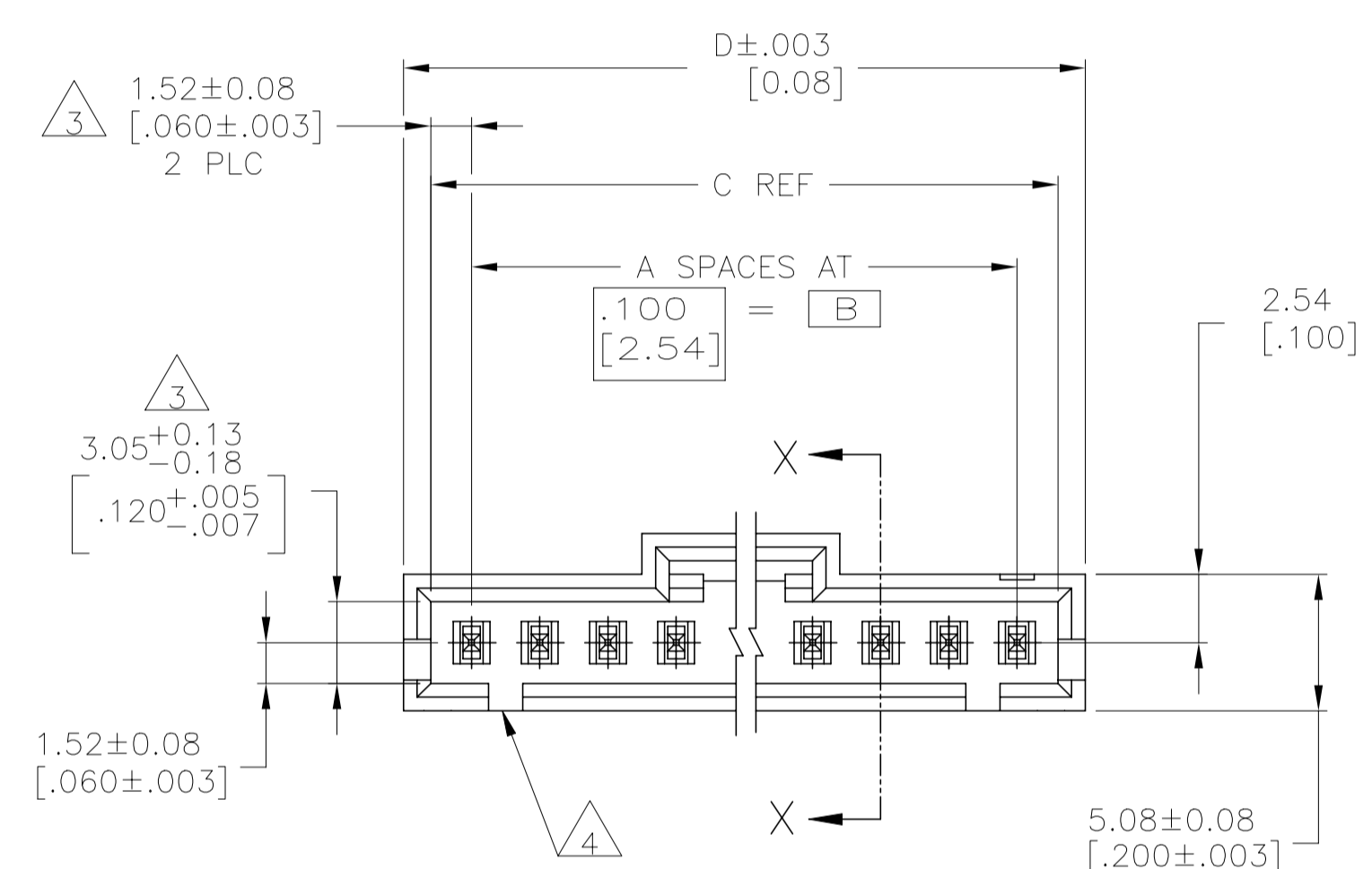
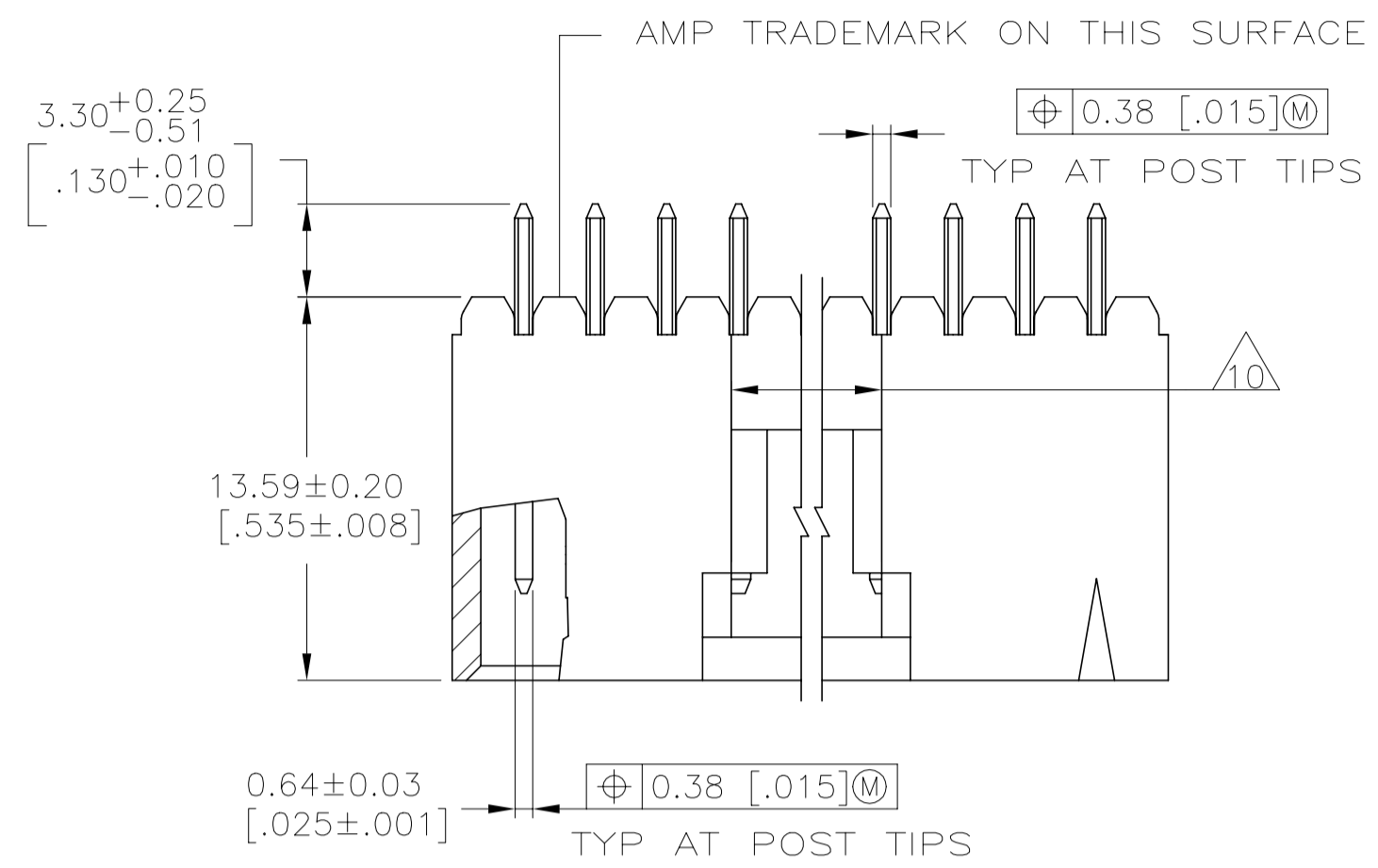


| REVISIONS |     |                           |           |     |      |
|-----------|-----|---------------------------|-----------|-----|------|
| P         | LTR | DESCRIPTION               | DATE      | DRN | APVD |
| U         |     | REVISED PER ECO-20-001327 | 05JUN2020 | SB  | JO   |



RECOMMENDED PC BOARD MOUNTING DIMENSIONS  
RECOMMENDED STENCIL THICKNESS = 0.25 [0.010]

- 1 .000015[0.000381]GOLD IN THE CONTACT AREA, .000100-.000200[0.00254-0.00508] MATTE TIN-LEAD ON THE SOLDER TAIL, ALL OVER .000050[0.00127] NICKEL.
- 2 POINT OF MEASUREMENT FOR PLATING THICKNESS
- 3 THE NOTED DIMENSIONS APPLY FROM THE BASIC DIMENSION LINE (NOT THE POST CENTERLINE) TO THE SURFACE INDICATED.
- 4 ONE POLARIZATION SLOT FOR 2 AND 3 POSITION ASSEMBLIES ONLY.
- 5 DIMENSIONS NOTED ARE FOR SOLDER STENCIL LAYOUT FOR USE WITH .062±.008 THICK PRINTED CIRCUIT BOARDS
- 6 PARTS ARE PACKAGED IN GANG OF TUBES
- 7 OBSOLETE PART NO., REFER TO DWG 104910 FOR POS 13 THRU 25.
- 8 HOUSING: HIGH TEMPERATURE LCP, COLOR-BLACK. POSTS: BRASS.
- 9 .000015[0.000381]GOLD IN THE CONTACT AREA, .000100-.000200[0.00254-0.00508] MATTE TIN ON THE SOLDER TAIL, ALL OVER .000050[0.00127] NICKEL
- 10 0.25 [0.010] RECESS PERMISSIBLE IN THIS AREA FOR MOLD SHUT OFF

|         |       |       |       |    |            |                      |
|---------|-------|-------|-------|----|------------|----------------------|
| 9       | 1.295 | 1.220 | 1.100 | 11 | 12         | 6-104363-1           |
| 9       | 1.195 | 1.120 | 1.000 | 10 | 11         | 6-104363-0           |
| 9       | 1.095 | 1.020 | .900  | 9  | 10         | 5-104363-9           |
| 9       | .995  | .920  | .800  | 8  | 9          | 5-104363-8           |
| 9       | .895  | .820  | .700  | 7  | 8          | 5-104363-7           |
| 9       | .795  | .720  | .600  | 6  | 7          | 5-104363-6           |
| 9       | .695  | .620  | .500  | 5  | 6          | 5-104363-5           |
| 9       | .595  | .520  | .400  | 4  | 5          | 5-104363-4           |
| 9       | .495  | .420  | .300  | 3  | 4          | 5-104363-3           |
| 9       | .395  | .320  | .200  | 2  | 3          | 5-104363-2           |
| 9       | .295  | .220  | .100  | -1 | 2          | 5-104363-1           |
|         | 2.595 | 2.520 | 2.400 | 24 | 25         | 2-104363-4           |
|         | 2.495 | 2.420 | 2.300 | 23 | 24         | 2-104363-3           |
|         | 2.395 | 2.320 | 2.200 | 22 | 23         | 2-104363-2           |
|         | 2.295 | 2.220 | 2.100 | 21 | 22         | 2-104363-1           |
|         | 2.195 | 2.120 | 2.000 | 20 | 21         | 2-104363-0           |
|         | 2.095 | 2.020 | 1.900 | 19 | 20         | 1-104363-9           |
|         | 1.995 | 1.920 | 1.800 | 18 | 19         | 1-104363-8           |
|         | 1.895 | 1.820 | 1.700 | 17 | 18         | 1-104363-7           |
|         | 1.795 | 1.720 | 1.600 | 16 | 17         | 1-104363-6           |
|         | 1.695 | 1.620 | 1.500 | 15 | 16         | 1-104363-5           |
|         | 1.595 | 1.520 | 1.400 | 14 | 15         | 1-104363-4           |
|         | 1.495 | 1.420 | 1.300 | 13 | 14         | 1-104363-3           |
|         | 1.395 | 1.320 | 1.200 | 12 | 13         | 1-104363-2           |
| 1       | 1.295 | 1.220 | 1.100 | 11 | 12         | 1-104363-1           |
| 1       | 1.195 | 1.120 | 1.000 | 10 | 11         | 1-104363-0           |
| 1       | 1.095 | 1.020 | .900  | 9  | 10         | 104363-9             |
| 1       | .995  | .920  | .800  | 8  | 9          | 104363-8             |
| 1       | .895  | .820  | .700  | 7  | 8          | 104363-7             |
| 1       | .795  | .720  | .600  | 6  | 7          | 104363-6             |
| 1       | .695  | .620  | .500  | 5  | 6          | 104363-5             |
| 1       | .595  | .520  | .400  | 4  | 5          | 104363-4             |
| 1       | .495  | .420  | .300  | 3  | 4          | 104363-3             |
| 1       | .395  | .320  | .200  | 2  | 3          | 104363-2             |
| 1       | .295  | .220  | .100  | -1 | 2          | 104363-1             |
| PLATING | D     | C     | B     | A  | NO OF POSN | ASSEMBLY PART NUMBER |

THIS DRAWING IS A CONTROLLED DOCUMENT. DWG: G DOUTY 22FEB88  
CHK: T C CLARK 22FEB88

TE Connectivity

NAME: HEADER ASSY, AMPMODU MTE, VERTICAL, SINGLE ROW, .100 C/L, .025 SQ POSTS, POLARIZED WITH LATCHING

SIZE: A1 CAGE CODE: 104363 DRAWING NO: 104363

SCALE: 4:1 SHEET: 1 OF 1 REV: U

单击下面可查看定价，库存，交付和生命周期等信息

[>>TE Connectivity\(泰科\)](#)