

THIS DRAWING IS UNPUBLISHED.

RELEASED FOR PUBLICATION

- ,N/A .

LOC

DIST

REVISIONS

© COPYRIGHT N/A BY TYCO ELECTRONICS CORPORATION. ALL RIGHTS RESERVED.

DF

S0

P

LTR

DESCRIPTION

DATE

DWN

APVD

C

REV PER 0H14-0191-05

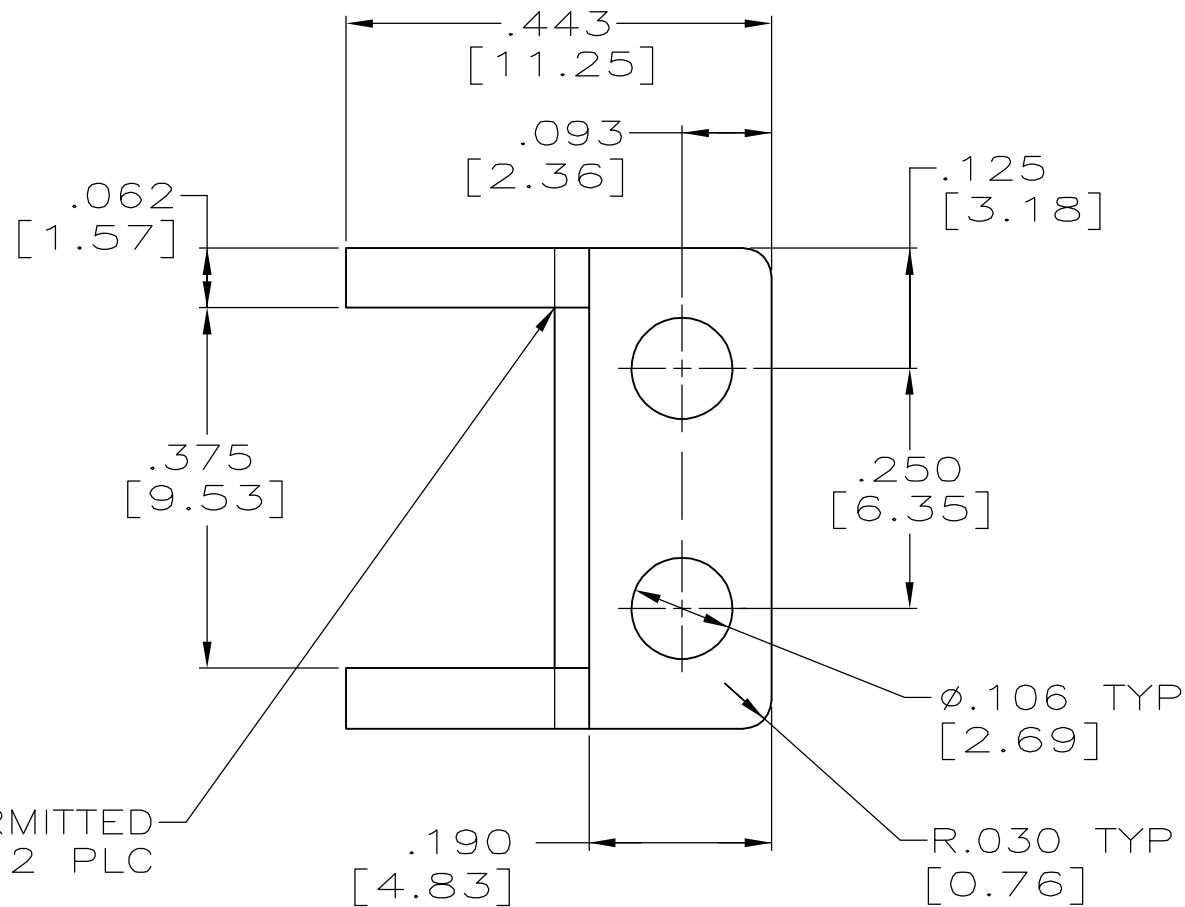
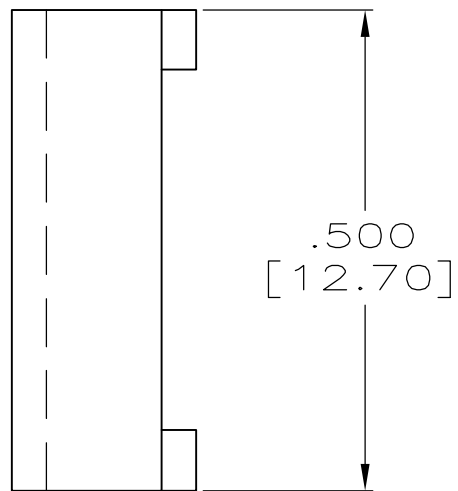
05-05

AA

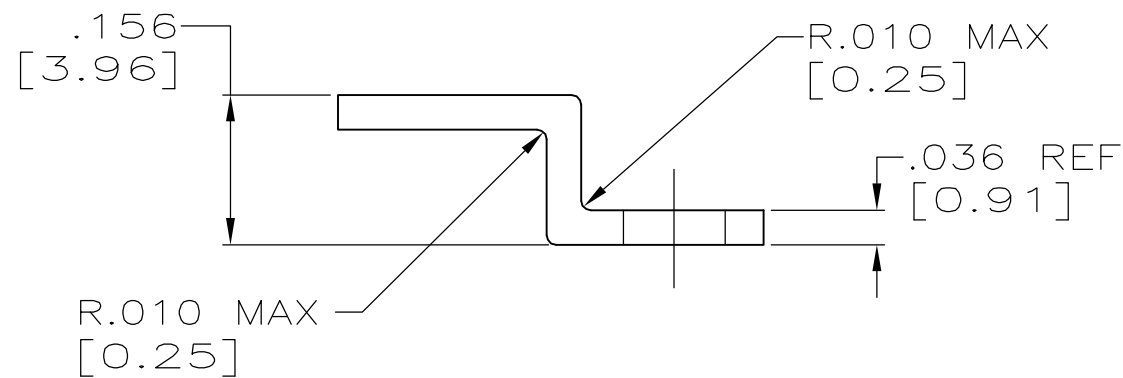
DE

1 FINISH: 93/7 TIN LEAD OR TIN PER ASTM-B-545 OVER NICKEL PER AMS-QQ-N-290.

2 FINISH: TIN PER ASTM-B-545 OVER NICKEL PER AMS-QQ-N-290.



NO RADIUS PERMITTED THIS AREA; 2 PLC



2	5-861214-2
1	861214-2
FINISH	PART NO.

THIS DRAWING IS A CONTROLLED DOCUMENT.		DWN C.C.THOMAS 28-APR-95	Tyco Electronics Corporation Harrisburg, Pa 17105-3608				
DIMENSIONS: INCHES		CHK D.WEYANDT 01-MAY-95					
TOLERANCES UNLESS OTHERWISE SPECIFIED:		APVD D.WEYANDT 01-MAY-95	NAME MOUNTING BRACKET LGH				
0 PLC ± - 1 PLC ± - 2 PLC ± - 3 PLC ± .010[0.25] 4 PLC ± - ANGLES ± -		PRODUCT SPEC -	APPLICATION SPEC -				
MATERIAL CARBON STEEL 20GA PER QQ-S-698		FINISH SEE TABLE	WEIGHT -	SIZE A3	CAGE CODE 00779	DRAWING NO C-861214	RESTRICTED TO -
CUSTOMER DRAWING			SCALE 5:1	SHEET 1 OF 1	REV C		

单击下面可查看定价，库存，交付和生命周期等信息

[>>TE Connectivity\(泰科\)](#)