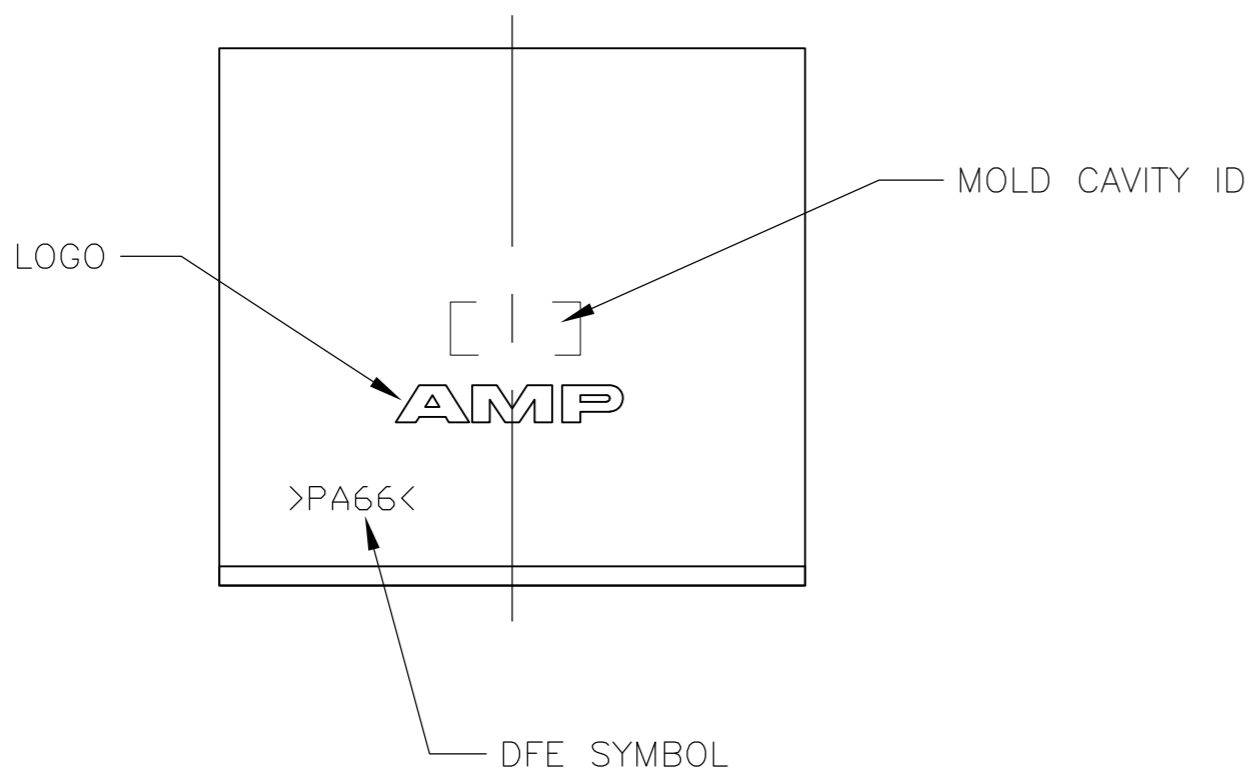
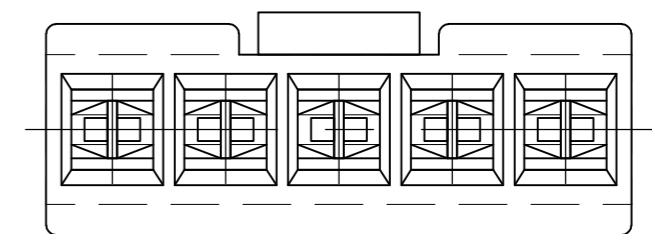
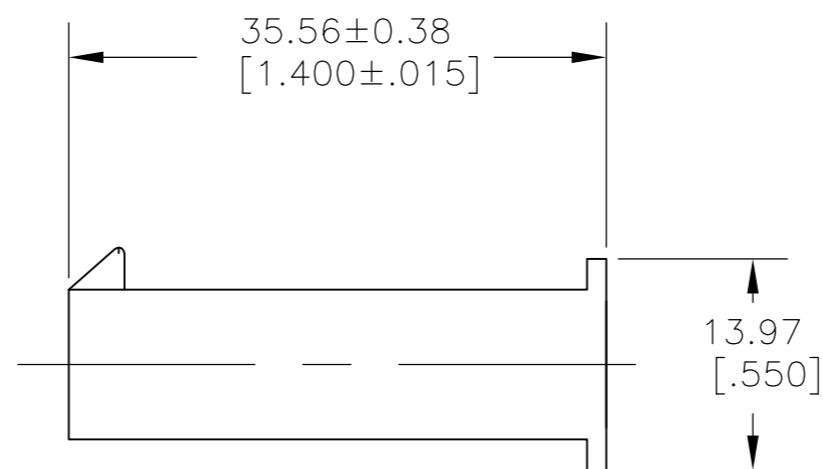
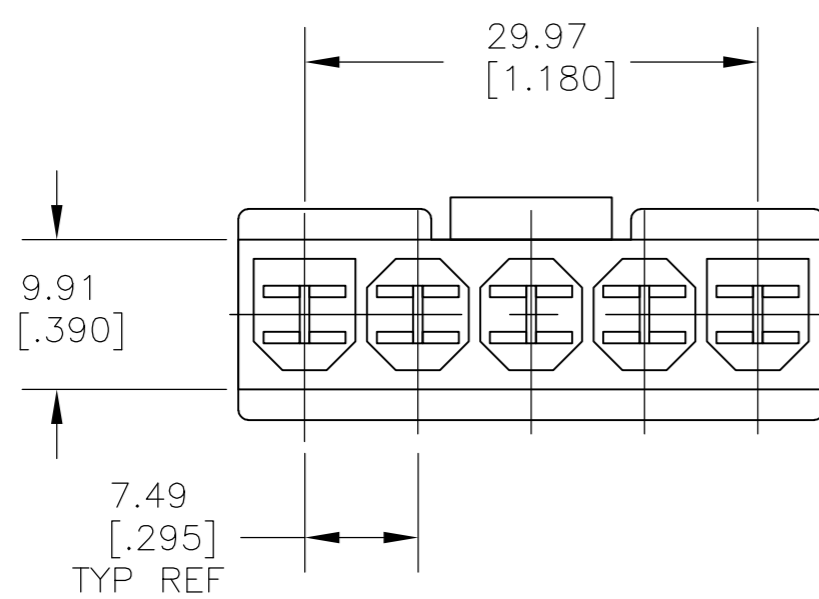
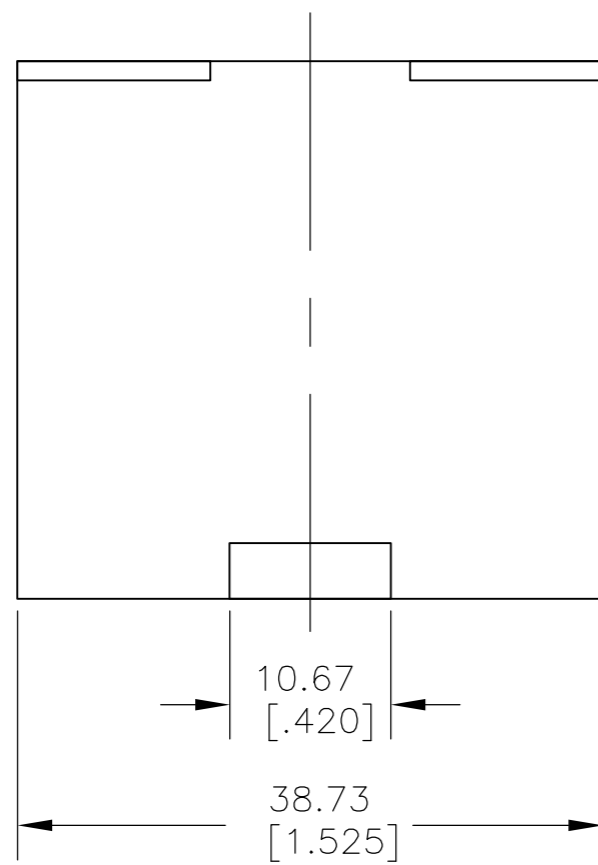


THIS DRAWING IS UNPUBLISHED. RELEASED FOR PUBLICATION  
 © COPYRIGHT BY TYCO ELECTRONICS CORPORATION. ALL INTERNATIONAL RIGHTS RESERVED.

LOC	DIST	REVISIONS			
P	LTR	DESCRIPTION	DATE	DWN	APVD
AF	50	A1	REVISED PER ECR-09-001757	28JAN09	HMR EH

1 PART ACCEPTS 3.18 [.125] BLADE CONTACT  
 P/N 1217076-1



1969205-1  
 PART NO

THIS DRAWING IS A CONTROLLED DOCUMENT.		DWN jr ruth 27JUN08	Tyco Electronics Corporation Harrisburg, PA 17105-3608	
DIMENSIONS: INCHES		CHK DON DECKER 27JUN08	NAME	
TOLERANCES UNLESS OTHERWISE SPECIFIED:		APVD DON DECKER 27JUN08	CAP 3.18 [.125] BLADE	
0 PLC ± -		PRODUCT SPEC	SIZE	CAGE CODE
1 PLC ± -		APPLICATION SPEC	A2	00779
2 PLC ± 0.25 [.010]		WEIGHT	SCALE	DRAWING NO
3 PLC ± -		CUSTOMER DRAWING	2:1	1969205
4 PLC ± -		FINISH	SHEET	RESTRICTED TO
ANGLES ± 5°		COLOR - NATURAL	1 of 1	-
MATERIAL HEAT STABILIZED NYLON	FINISH COLOR - NATURAL	WEIGHT -	SCALE 2:1	REV A1

单击下面可查看定价，库存，交付和生命周期等信息

[>>TE Connectivity\(泰科\)](#)