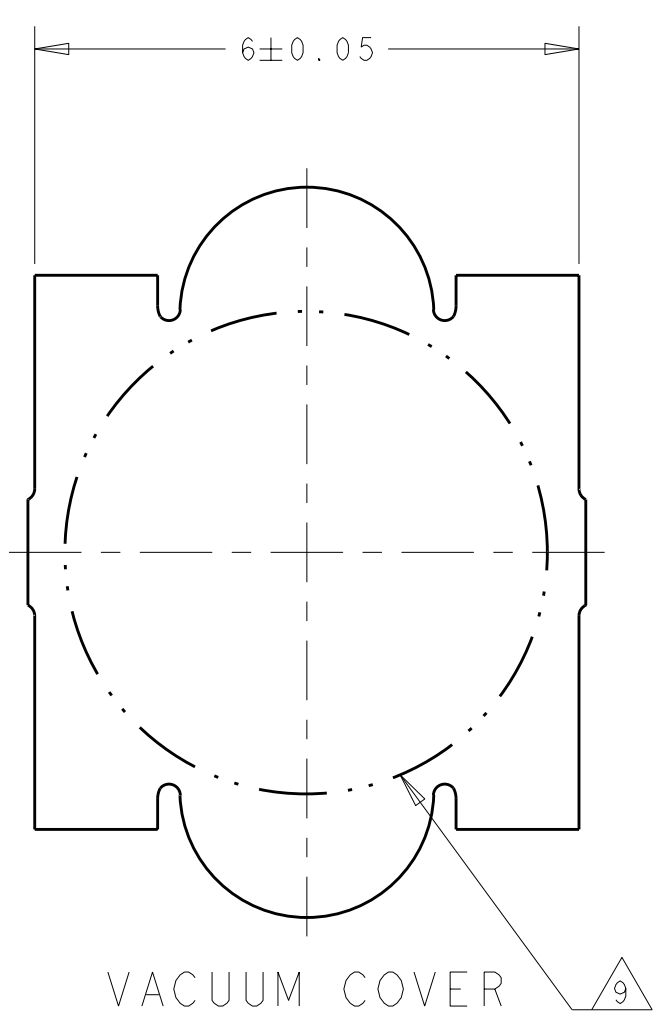
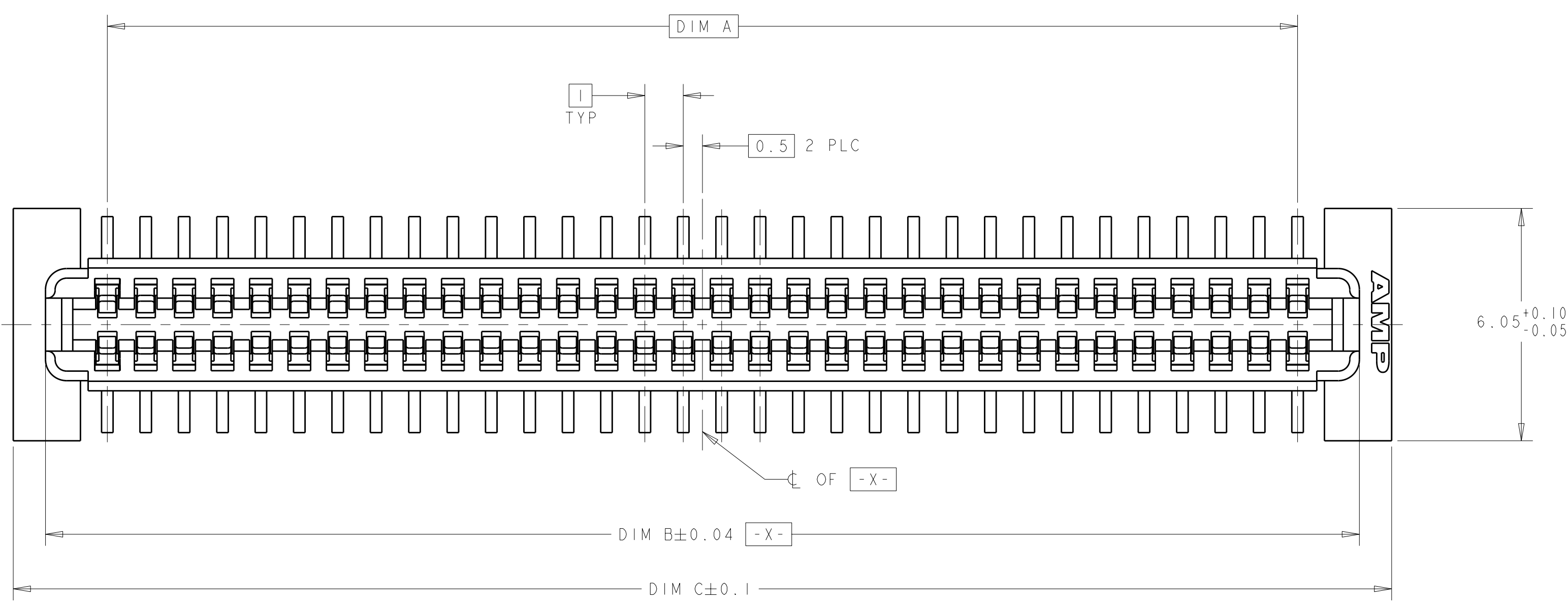
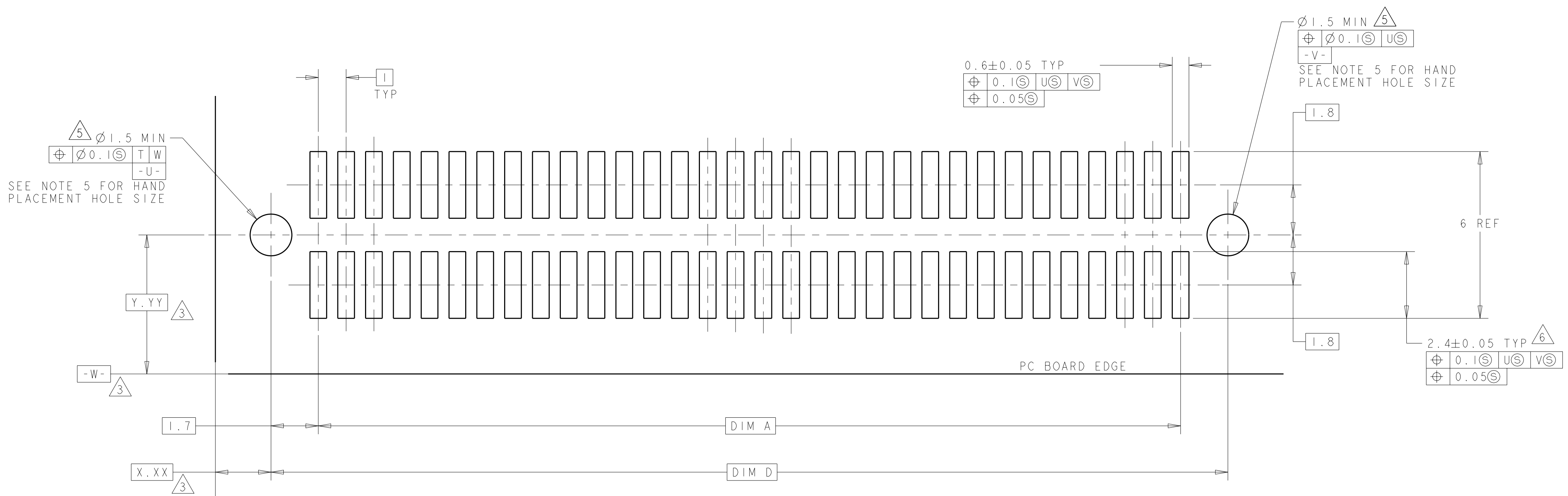
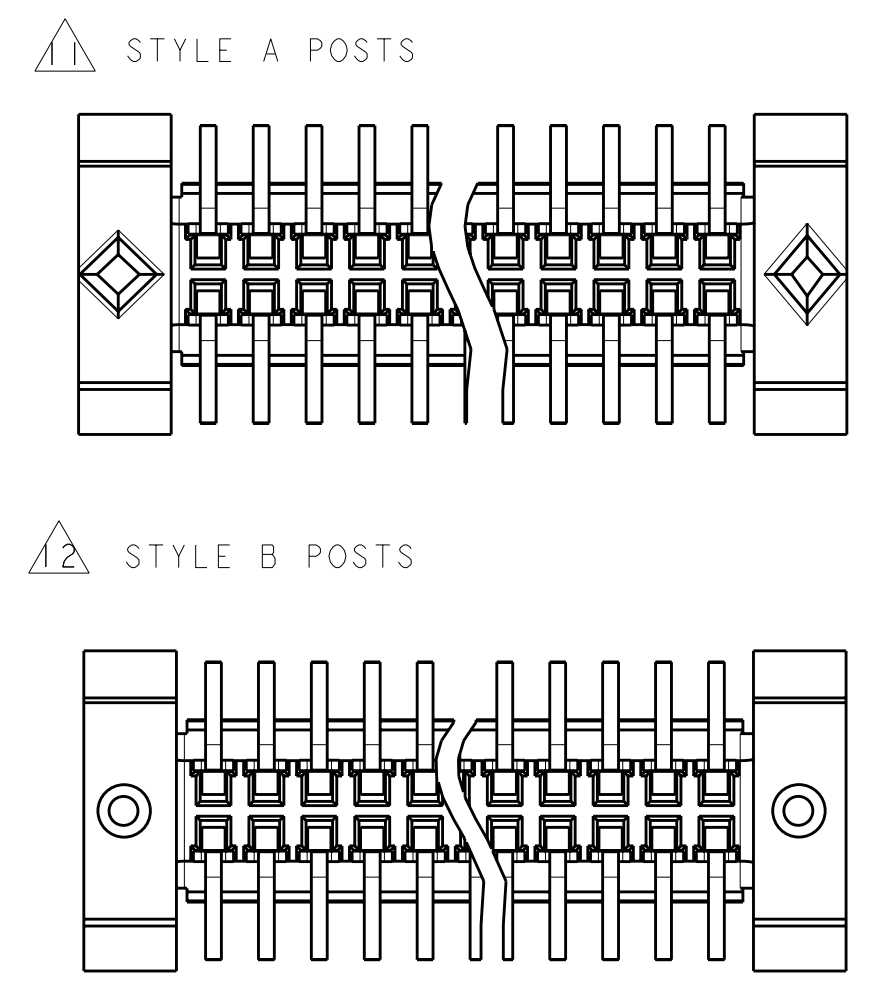
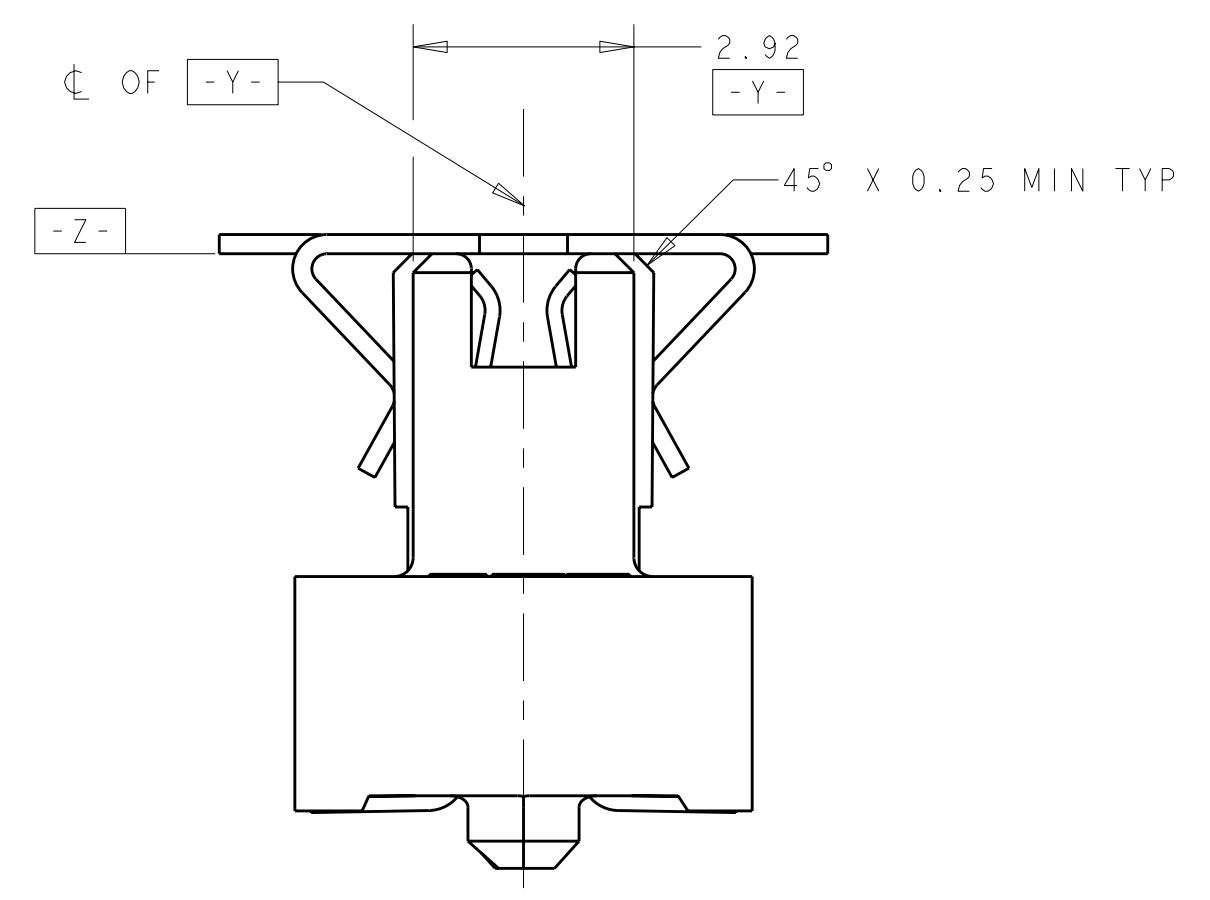
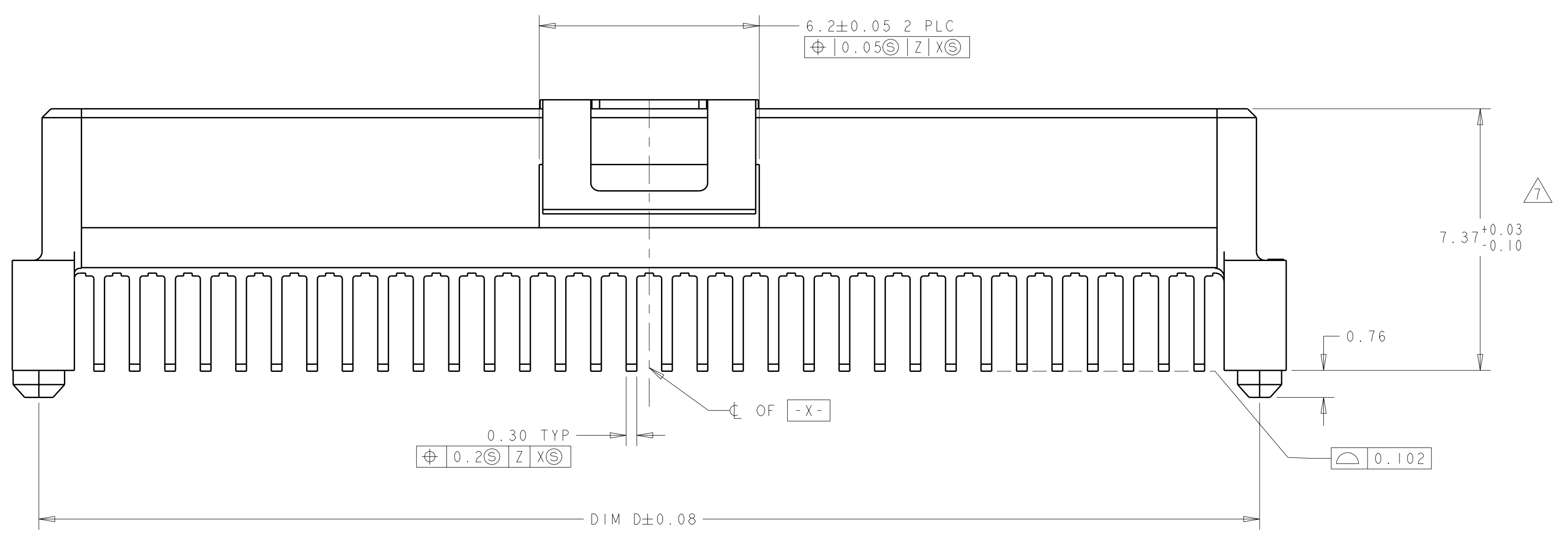


REV. LTR		DESCRIPTION	DATE	DWN	APVD
0		REV PER EC 0512-0235-04	01OCT2004	BC	RW
A		REV PER ECO-06-025515	19JAN2007	BC	DB
B		REVISED PER ECO-08-008615	10JUL2008	DH	DB
B1		REV PER ECO-09-018291	25AUG2009	AEG	DD



- 1 HOUSING MATERIAL: HIGH TEMPERATURE THERMOPLASTIC, COLOR: BLACK. CONTACT MATERIAL: PHOSPHOR BRONZE.
- 2 CONTACT FINISH: NICKEL UNDERPLATE ALL OVER, MATING SURFACES PLATED TO MEET PLI PERFORMANCE REQUIREMENTS OF INDUSTRY SPECIFICATION EIA-700AAAB, SOLDER TAILS PLATED TIN.
- 3 DATUM LOCATIONS AND BASIC DIMENSIONS TO BE ESTABLISHED BY THE CUSTOMER. CONSULT AMP ENGINEERING WHEN PLACING MULTIPLE CONNECTORS ON A PC BOARD.
- 4 PACKAGED IN TAPE ON REEL PER EIA-481.
- 5 1.4 ± 0.05 DIAMETER HOLE WHEN PLACING BY HAND.
- 6 SHORTER SOLDER LANDS MAY BE USED PER EIA 700AAAB, HOWEVER 2.4 LENGTH ASSURES OPTIMUM SOLDER FILLET REGARDLESS OF MANUFACTURER OF CONNECTOR.
- 7 REFERRED TO AS DIM H = 7.3 ± 0.1 IN EIA 700AAAB SPECIFICATION.
- 8 VACUUM COVER NOT SHOWN IN SOME VIEWS FOR CLARITY.
- 9 5.5 MIN DIAMETER TARGET AREA FOR VACUUM PICK-UP.
- 10 CONTACT FINISH: 0.00381 MINIMUM MATTE TIN PER ASTM B 545 ON SOLDER AREA, 0.00127 MINIMUM GOLD PER ASTM B 488 ON MATING AREA, BOTH OVER 0.00127 MINIMUM NICKEL PER SAE-AMS-QQ-N-290 ON ENTIRE CONTACT.
- 11 SQUARE AND DIAMOND SHAPED POSTS
- 12 ROUND SHAPED POSTS



POST STYLE	FINISH	DIM D	DIM C	DIM B	DIM A	STACK HEIGHTS	POS	PART NUMBER
12	10	44.4	45.9	44.22	41	11, 12	84	3-5146894-2
12	10	34.4	35.9	34.22	31	11, 12	64	3-5146894-1
12	2	44.4	45.9	44.22	41	11, 12	84	2-5146894-2
12	2	34.4	35.9	34.22	31	11, 12	64	2-5146894-1
11	10	44.4	45.9	44.22	41	11, 12	84	1-5146894-2
11	10	34.4	35.9	34.22	31	11, 12	64	1-5146894-1
11	2	44.4	45.9	44.22	41	11, 12	84	5146894-2
11	2	34.4	35.9	34.22	31	11, 12	64	5146894-1

THIS DRAWING IS UNPUBLISHED. RELEASED FOR PUBLICATION BY TYCO ELECTRONICS CORPORATION, ALL RIGHTS RESERVED.

DIMENSIONS: mm

TOLERANCES UNLESS OTHERWISE SPECIFIED:

9 PLC	±
5 PLC	±0.03
5 PLC	±0.003
4 PLC	±
ANGLES	±

FINISH: SEE TABLE

DATE: 01OCT04
 CHK: B. CARBO
 R. WERTZ
 APVD: R. WERTZ

PRODUCT SPEC: 502-1079
 APPLICATION SPEC: 114-25045

WEIGHT: -

CUSTOMER DRAWING

SCALE: 10:1

REV: B1

RECEPTACLE ASSY, W/VACUUM COVER, 1.0mm FH (IEEE 1386) CONNECTOR

SIZE: 00779 C=5146894

单击下面可查看定价，库存，交付和生命周期等信息

[>>TE Connectivity\(泰科\)](#)