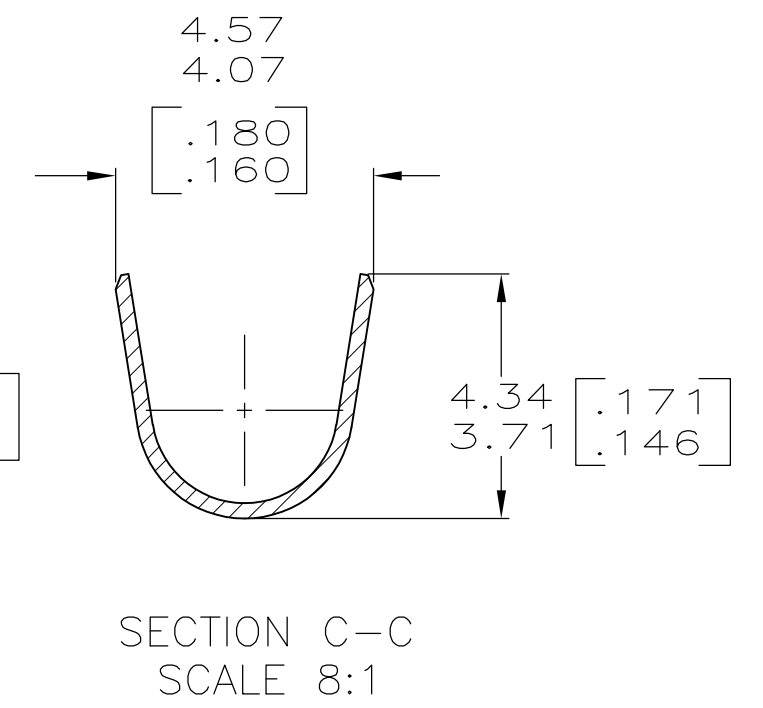
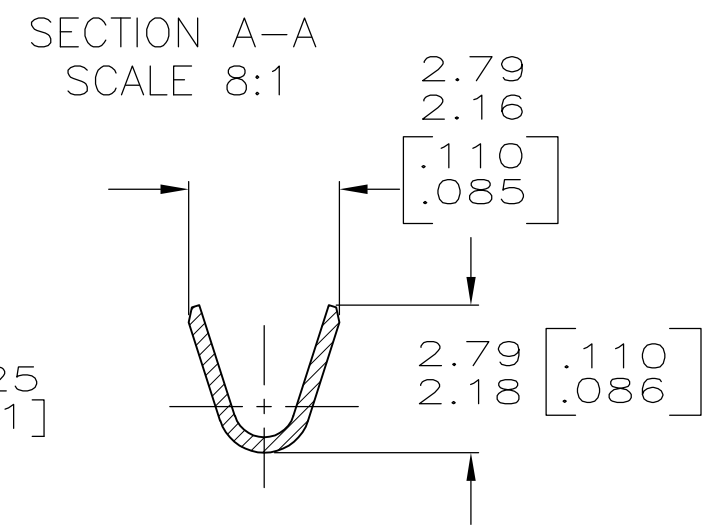
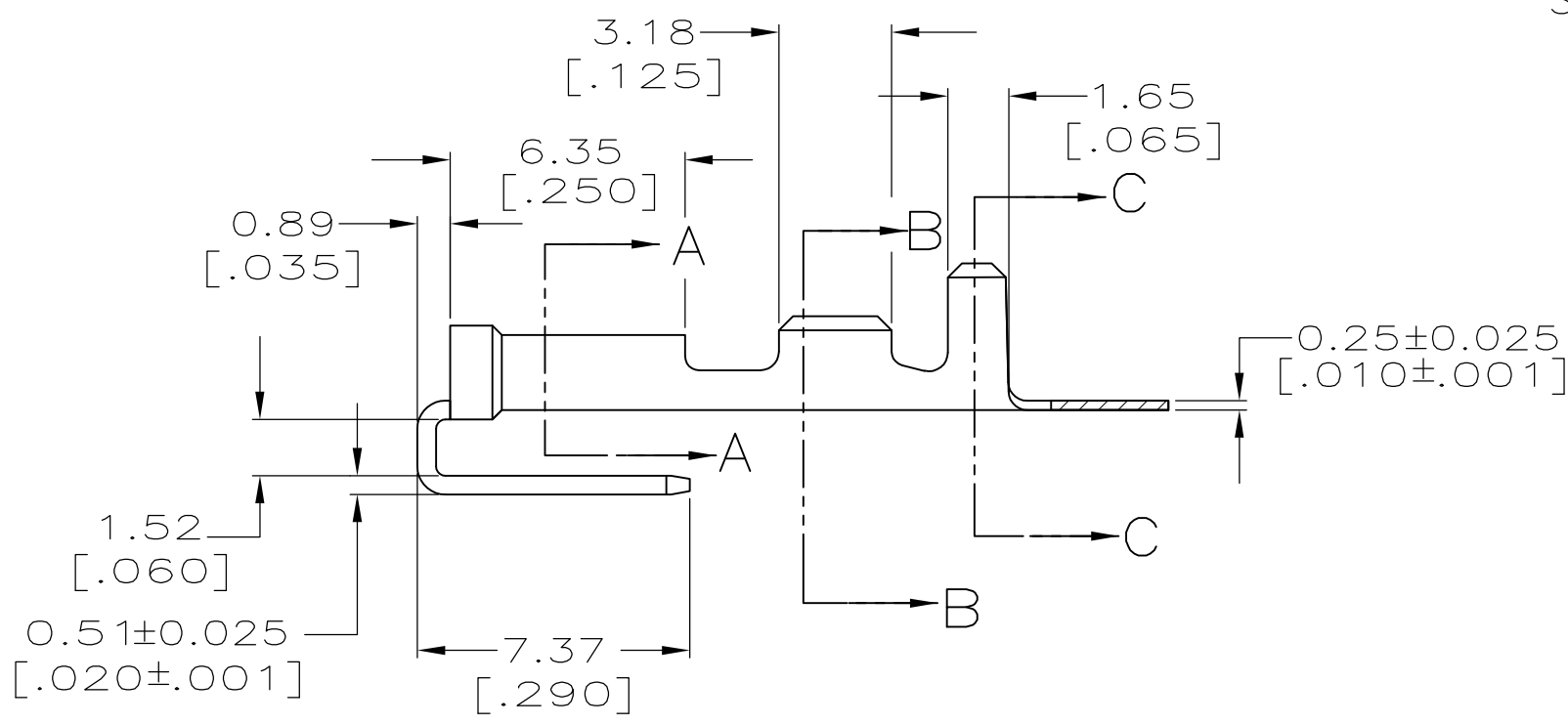
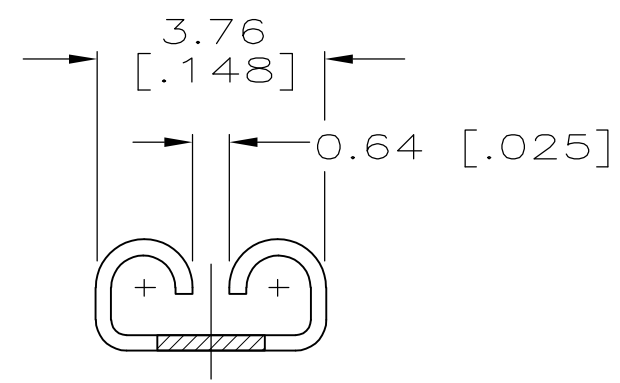
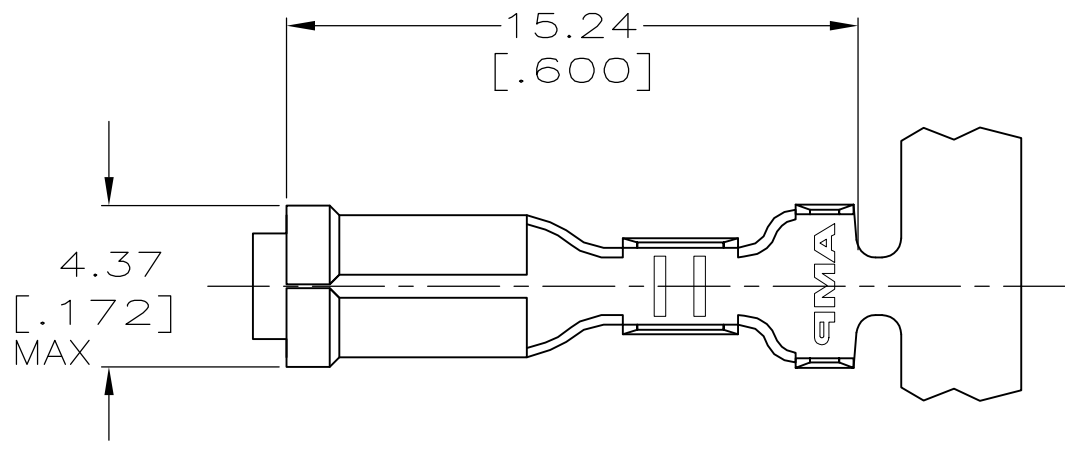



THIS DRAWING IS UNPUBLISHED. RELEASED FOR PUBLICATION
 © COPYRIGHT - By - ALL RIGHTS RESERVED.

LOC	DIST	REVISIONS			
P	LTR	DESCRIPTION	DATE	DWN	APVD
AF	50				
	D	REVISED PER ECR-12-013518	24NOV12	KH	PD

- CONTINUOUS STRIP ON REELS.
- FIRST INSERTION 10 LBS MAX.
FIRST EXTRACTION 2 LBS MIN.
USE TEST TAB 62061-2



2.03-3.05 DIA [.080-.120] DIA	[#22-#18] AWG	0.81±0.025 [.032±.001]	63961-1
INSULATION RANGE	WIRE SIZE	MATING TAB THICKNESS	PART NO

THIS DRAWING IS A CONTROLLED DOCUMENT.		DWN JR RUTH 3/4/97	 TE Connectivity RECEPTACLE, FASTON™ PIGGYBACK, 2.79 [.110] SERIES	
DIMENSIONS: mm [INCHES]		CHK MS FEHER 3/4/97		
TOLERANCES UNLESS OTHERWISE SPECIFIED:		APVD P DESANTIS 3/4/97		
0 PLC ± - 1 PLC ± - 2 PLC ± 0.25 [.010] 3 PLC ± - 4 PLC ± - ANGLES ± -		PRODUCT SPEC -		
MATERIAL BRASS		FINISH TIN	APPLICATION SPEC 114-2082	SIZE A3
			WEIGHT -	CAGE CODE 00779
			CUSTOMER DRAWING	DRAWING NO C-63961
				RESTRICTED TO -
				SCALE 5:1
				SHEET 1 OF 1
				REV D

单击下面可查看定价，库存，交付和生命周期等信息

[>>TE Connectivity\(泰科\)](#)