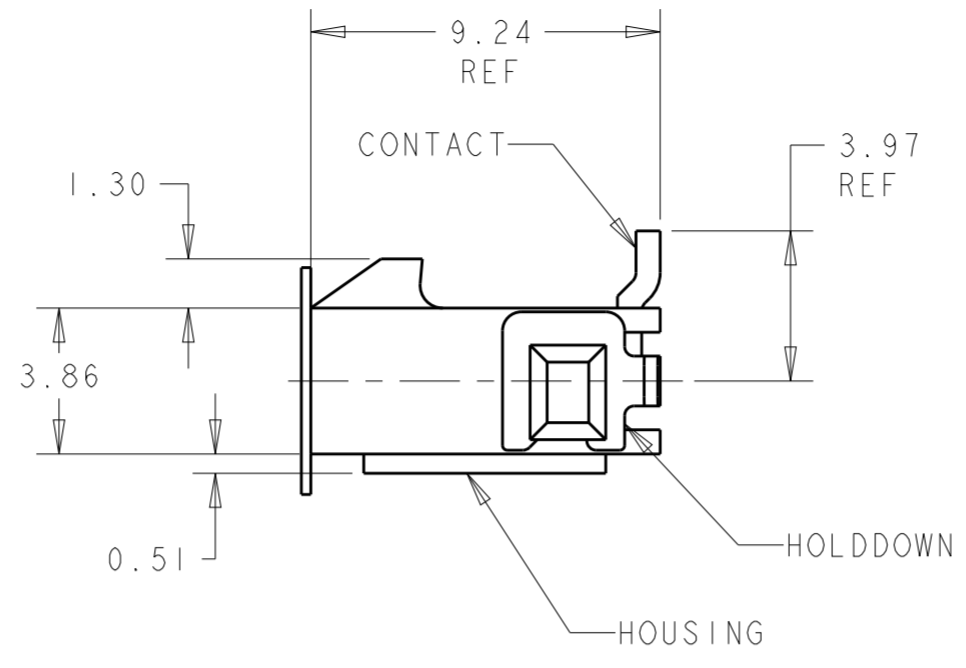
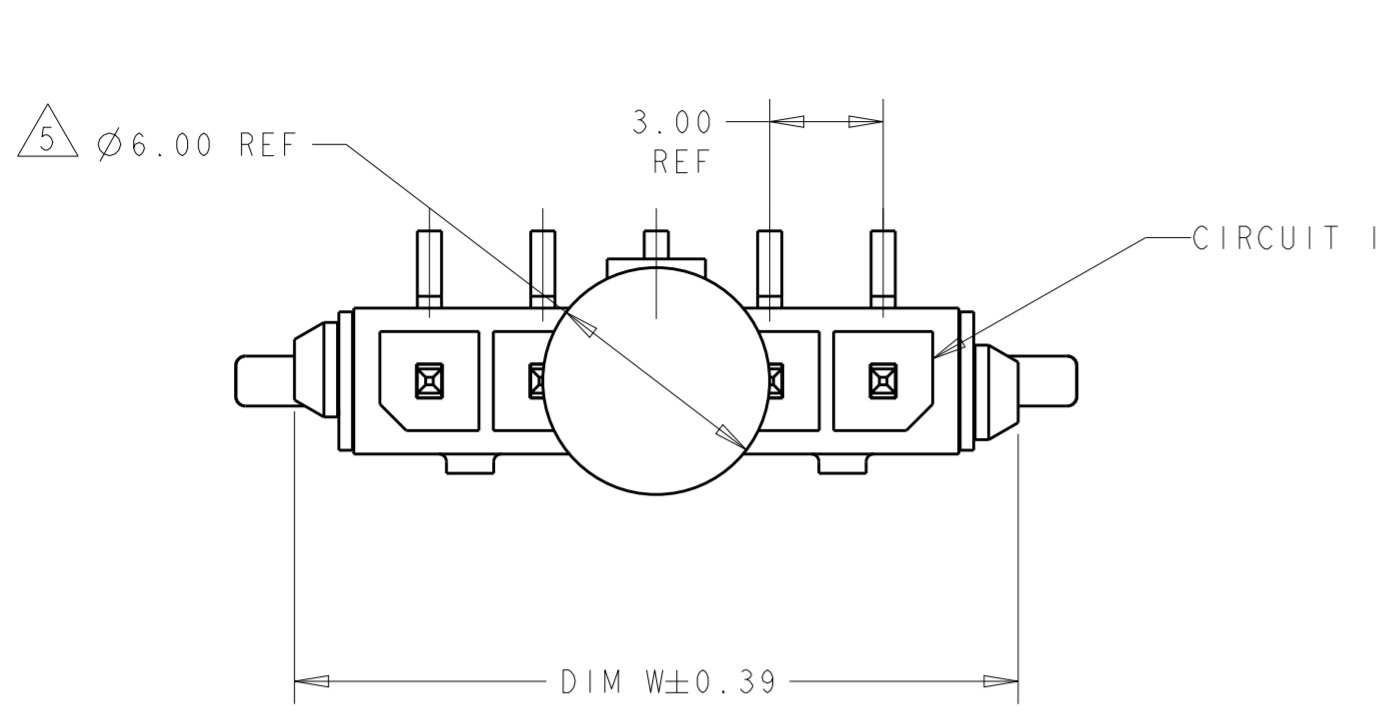
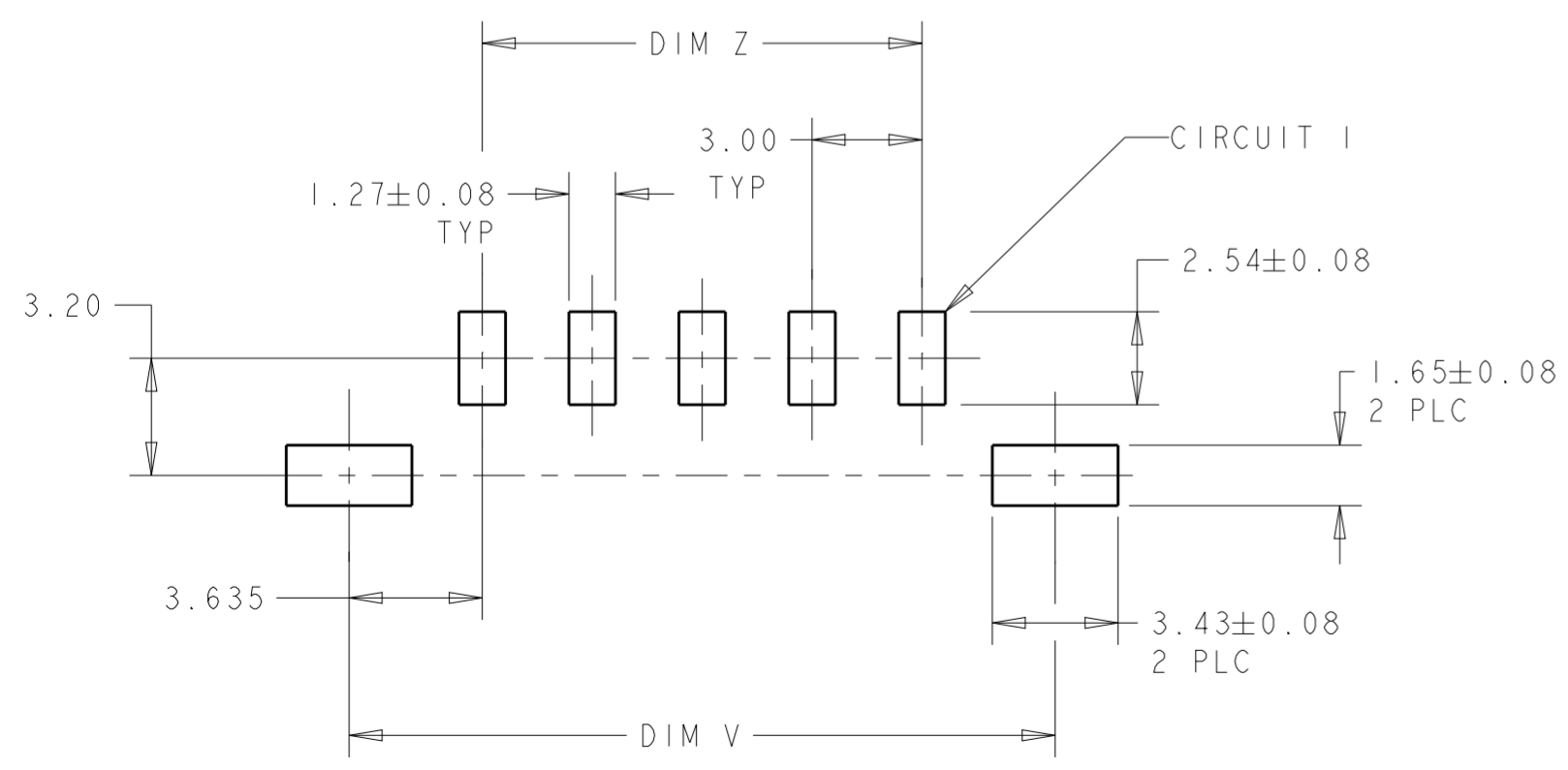
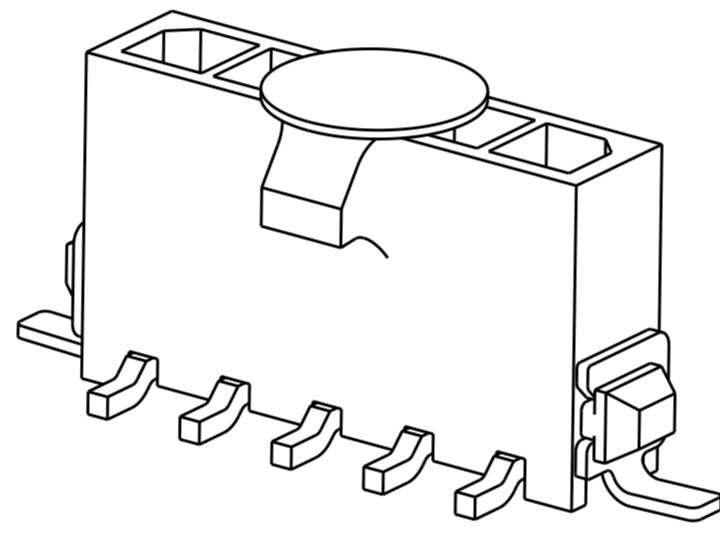
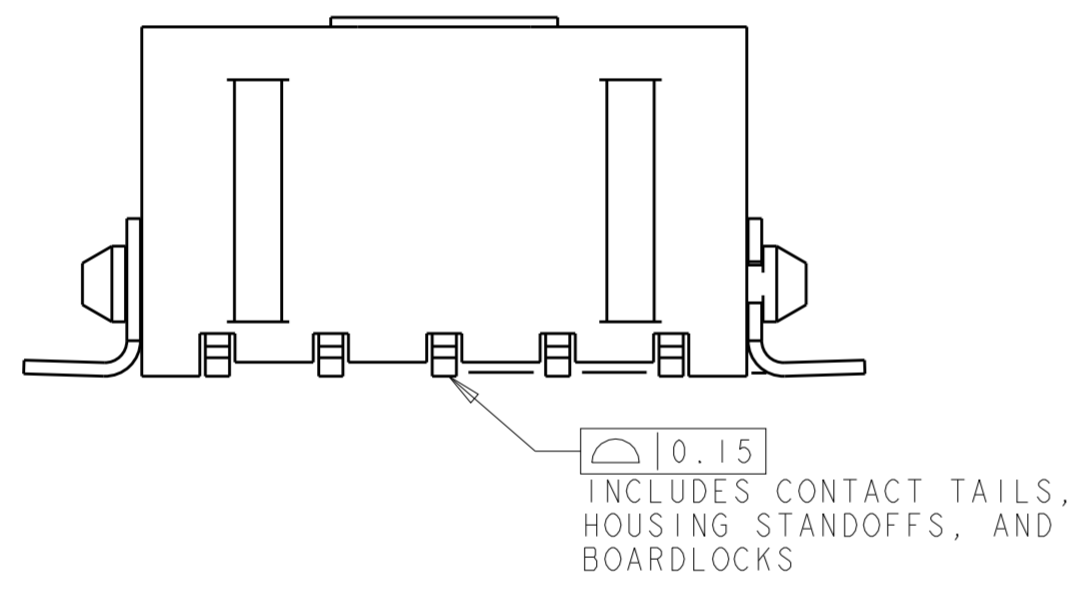


THIS DRAWING IS UNPUBLISHED. RELEASED FOR PUBLICATION 20
 © COPYRIGHT 20 BY - ALL RIGHTS RESERVED.

REVISIONS					
P	LTR	DESCRIPTION	DATE	DWN	APVD
D2		REVISED PER ECR-16-011494	20JUN2017	NK	CX
D3		ECO-19-006934	13MAY2019	AP	WS



- 1 MATERIAL: CONTACTS - BRASS
HOUSING - UL 94V-0 RATED HIGH TEMP NYLON, COLOR BLACK.
HOLDDOWNS: - PHOSPHOR BRONZE.
- 2 PLATING: CONTACTS - 0.38µm MINIMUM GOLD ON MATING END,
2.54µm MINIMUM TIN LEAD ON SOLDER TAILS, BOTH OVER
1.27µm MINIMUM NICKEL.
HOLDDOWNS: 2.54µm MINIMUM TIN-LEAD OVER 1.27µm MINIMUM
NICKEL.
- 4 RECOMMENDED PC BOARD THICKNESS OF 1.57.
- 5 KAPTON VACUUM PICK UP BUTTON.
- 6 PLATING: CONTACTS - 0.38µm MINIMUM GOLD ON MATING END,
2.54µm MINIMUM MATTE TIN ON SOLDER TAILS, BOTH OVER
1.27µm MINIMUM NICKEL.
HOLDDOWNS: 2.54µm MINIMUM MATTE TIN OVER 1.27µm MINIMUM
NICKEL.



PCB LAYOUT COMPONENT SIDE 4

FINISH	DIM Z	DIM V	DIM W	NO. OF POSN	PART NUMBER
6	33.00	40.41	40.00	12	3-1445087-2
6	30.00	37.41	37.00	11	3-1445087-1
6	27.00	34.41	34.00	10	3-1445087-0
6	24.00	31.41	31.00	9	2-1445087-9
6	21.00	28.41	28.00	8	2-1445087-8
6	18.00	25.41	25.00	7	2-1445087-7
6	15.00	22.41	22.00	6	2-1445087-6
6	12.00	19.41	19.00	5	2-1445087-5
6	9.00	16.41	16.00	4	2-1445087-4
6	6.00	13.41	13.00	3	2-1445087-3
2	3.00	10.41	10.00	2	2-1445087-2
2	33.00	40.41	40.00	12	1-1445087-2
2	30.00	37.41	37.00	11	1-1445087-1
2	27.00	34.41	34.00	10	1-1445087-0
2	24.00	31.41	31.00	9	1-1445087-9
2	21.00	28.41	28.00	8	1-1445087-8
2	18.00	25.41	25.00	7	1-1445087-7
2	15.00	22.41	22.00	6	1-1445087-6
2	12.00	19.41	19.00	5	1-1445087-5
2	9.00	16.41	16.00	4	1-1445087-4
2	6.00	13.41	13.00	3	1-1445087-3
2	3.00	10.41	10.00	2	1-1445087-2

THIS DRAWING IS A CONTROLLED DOCUMENT. DWN J.ROOT 09OCT2000
 CHK K.WHITAKER 20-FEB-2001
 APVD C.JONES 20-FEB-2001

STE TE Connectivity

NAME: VERTICAL SURFACE MOUNT HEADER ASSY, 15 MIC GOLD CONTACTS, SURFACE MOUNT, HOLDDOWNS, SGL ROW, MICRO MATE-N-LOK™

SIZE: A2 CAGE CODE: 00779 DRAWING NO: 1445087 RESTRICTED TO: -
 SCALE: 5:1 SHEET: 1 OF 1 REV: D3

PRODUCT SPEC: 108-1836
 APPLICATION SPEC: 114-13000
 WEIGHT: -
 MATERIAL: SEE TABLE

单击下面可查看定价，库存，交付和生命周期等信息

[>>TE Connectivity\(泰科\)](#)