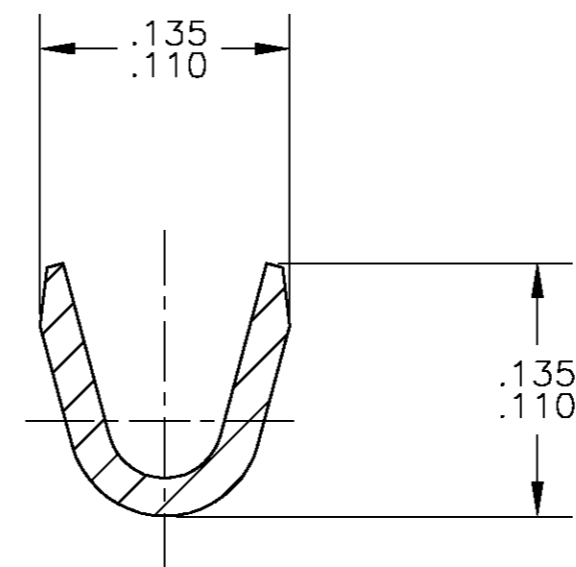
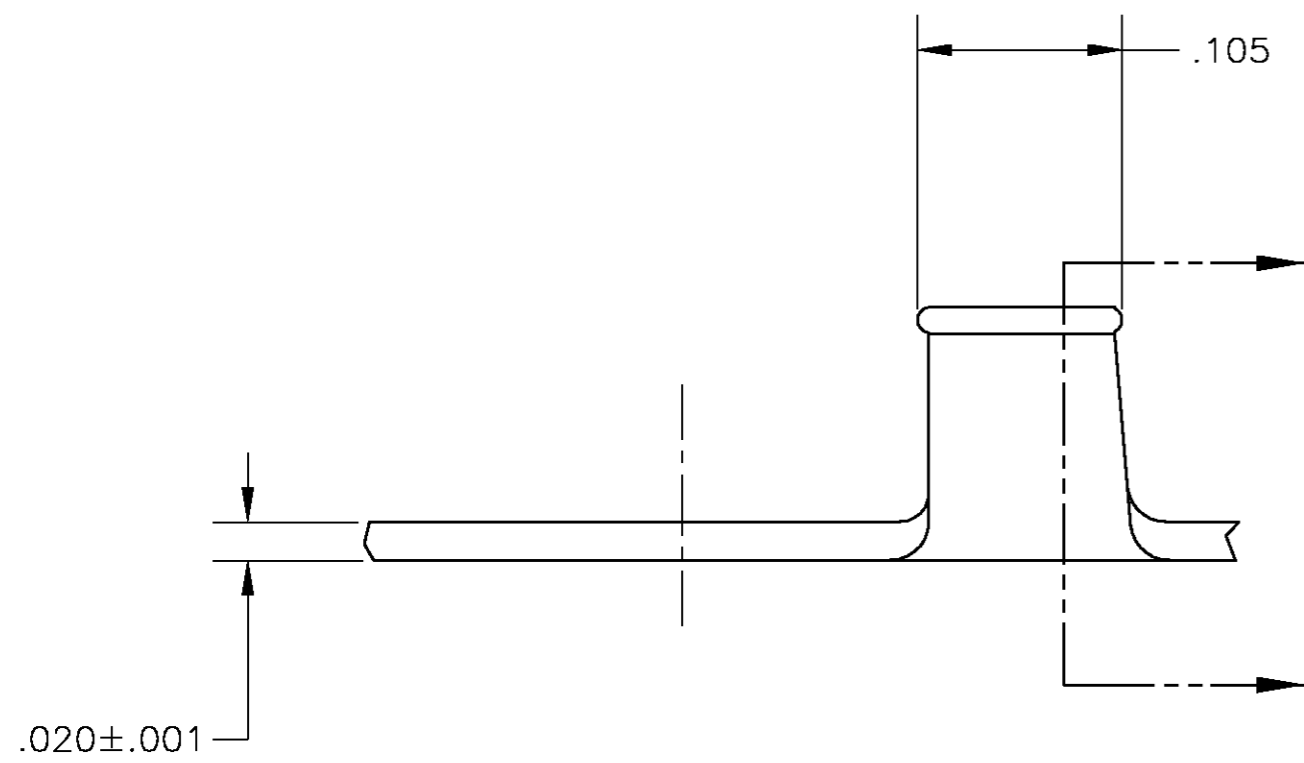
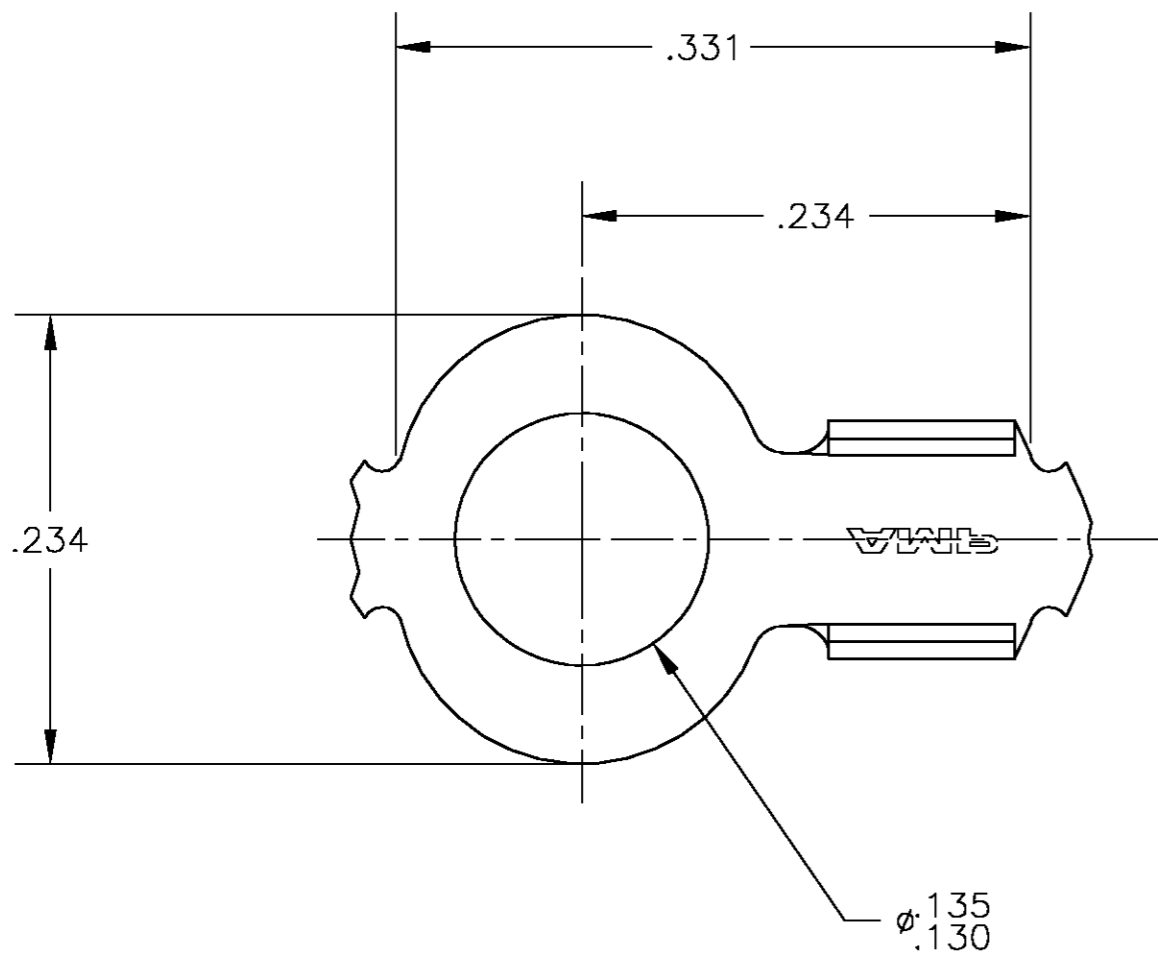


THIS DRAWING IS UNPUBLISHED. RELEASED FOR PUBLICATION
 © COPYRIGHT BY TYCO ELECTRONICS CORPORATION. ALL RIGHTS RESERVED.

LOC		DIST		REVISIONS			
P	LTR	DESCRIPTION		DATE	DWN	APVD	
AF	50	G		REDRAWN PER OG3A-XXXX-03	17JUN03	MF	DD

- 1 CONTINUOUS STRIP ON REELS.
- 2 WIRE RANGE: #20-#16 AWG.



34578
 PART NUMBER

THIS DRAWING IS A CONTROLLED DOCUMENT.		DWN MICHAEL S. FEHER 17JUN2003	Tyco Electronics Corporation Harrisburg, PA 17105-3608	
DIMENSIONS: INCHES		CHK DONALD F. DECKER 17JUN2003		
		APVD DONALD F. DECKER 17JUN2003	NAME TERMINAL, RING	
TOLERANCES UNLESS OTHERWISE SPECIFIED: 0 PLC ± - 1 PLC ± - 2 PLC ± - 3 PLC ± .010 4 PLC ± - ANGLES ± - FINISH -		PRODUCT SPEC -	APPLICATION SPEC -	RESTRICTED TO -
MATERIAL 082 BRASS		WEIGHT -	SIZE A2	CAGE CODE 00779
		DRAWING NO C=34578		SCALE 10:1
		CUSTOMER DRAWING		SHEET 1 OF 1
				REV G

单击下面可查看定价，库存，交付和生命周期等信息

[>>TE Connectivity\(泰科\)](#)