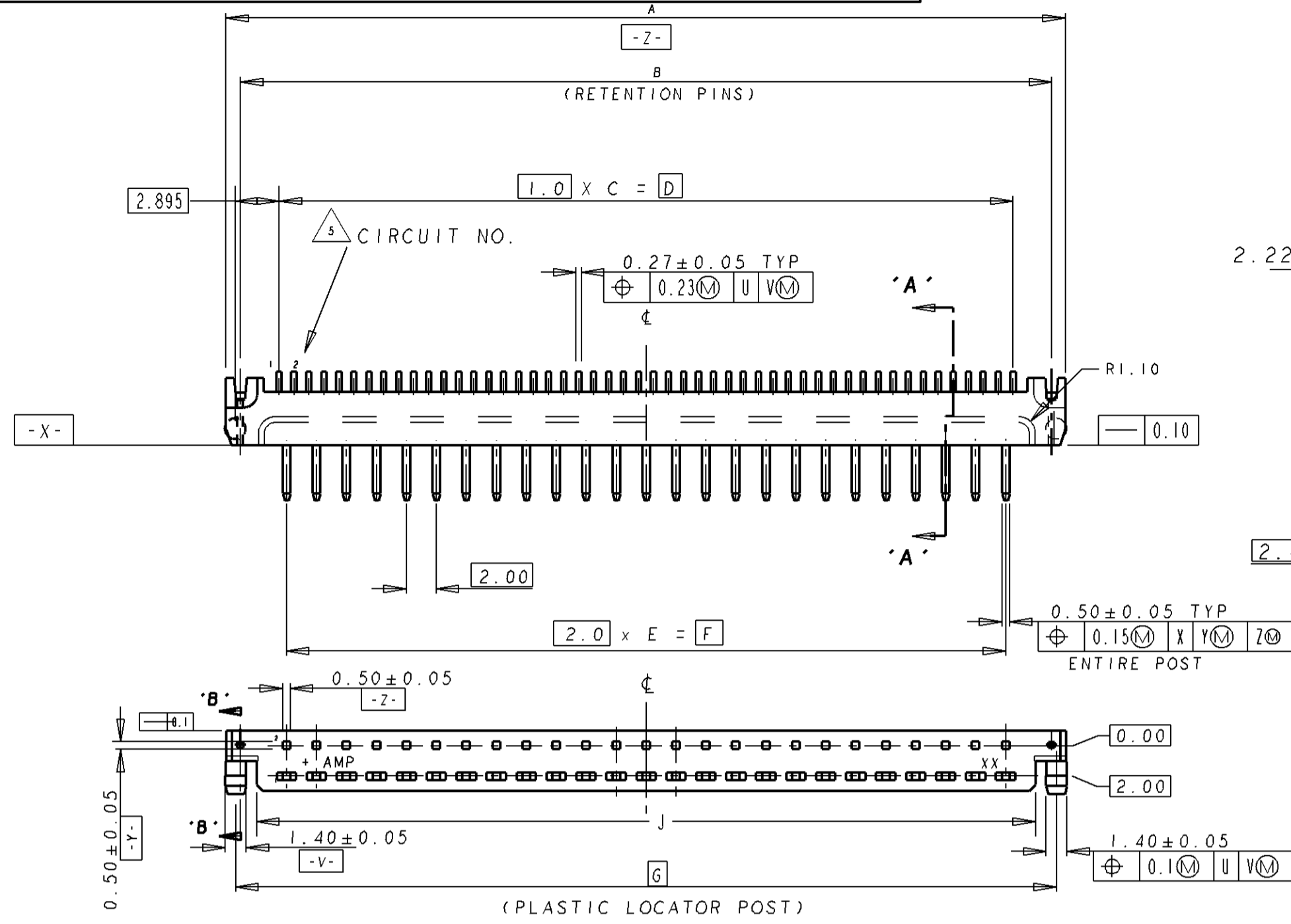
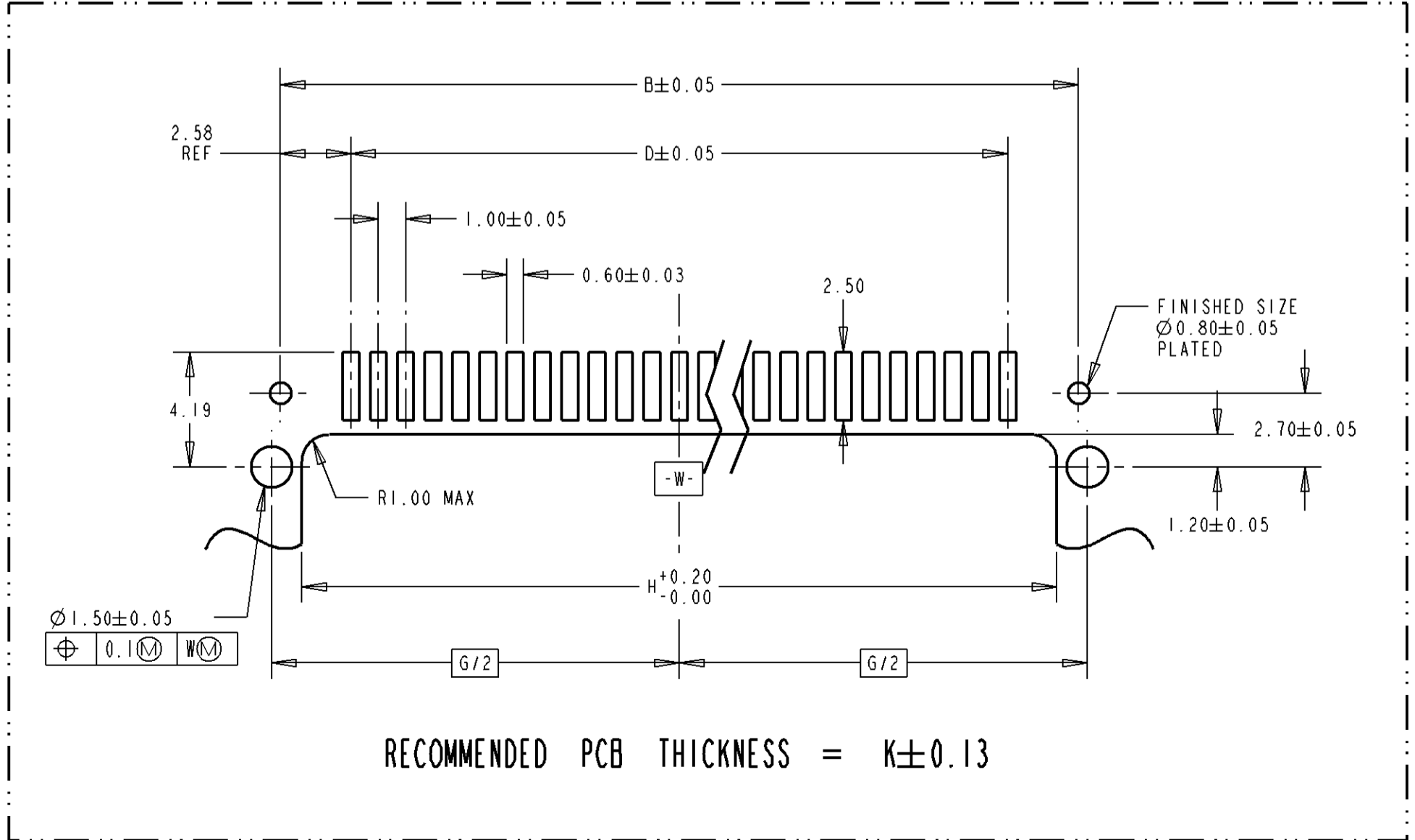
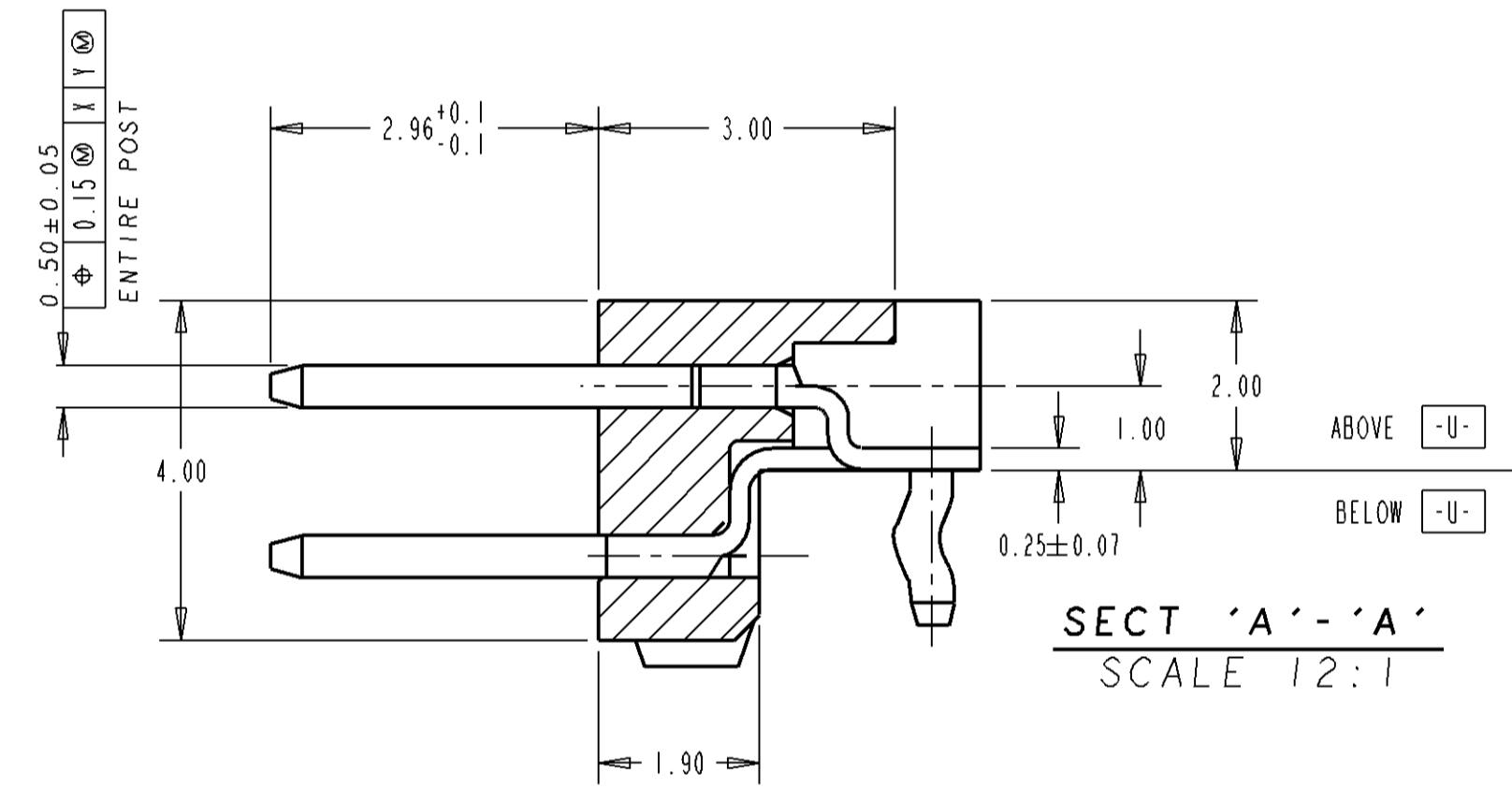


THIS DRAWING IS UNPUBLISHED.
 RELEASED FOR PUBLICATION
 BY AMP INCORPORATED. ALL RIGHTS RESERVED.

LOC	DIST	REVISIONS					
		P	LTR	DESCRIPTION	DATE	DWN	APVD
DY	-	A		NPR ECR-09-010461	23APR2009	PTY	LSF



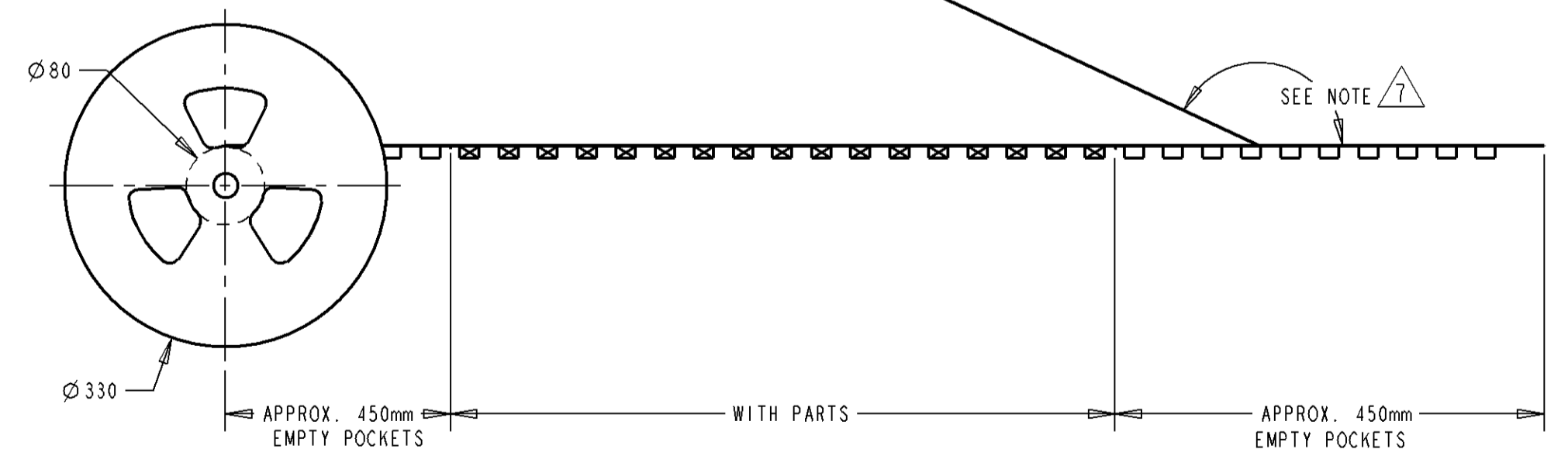
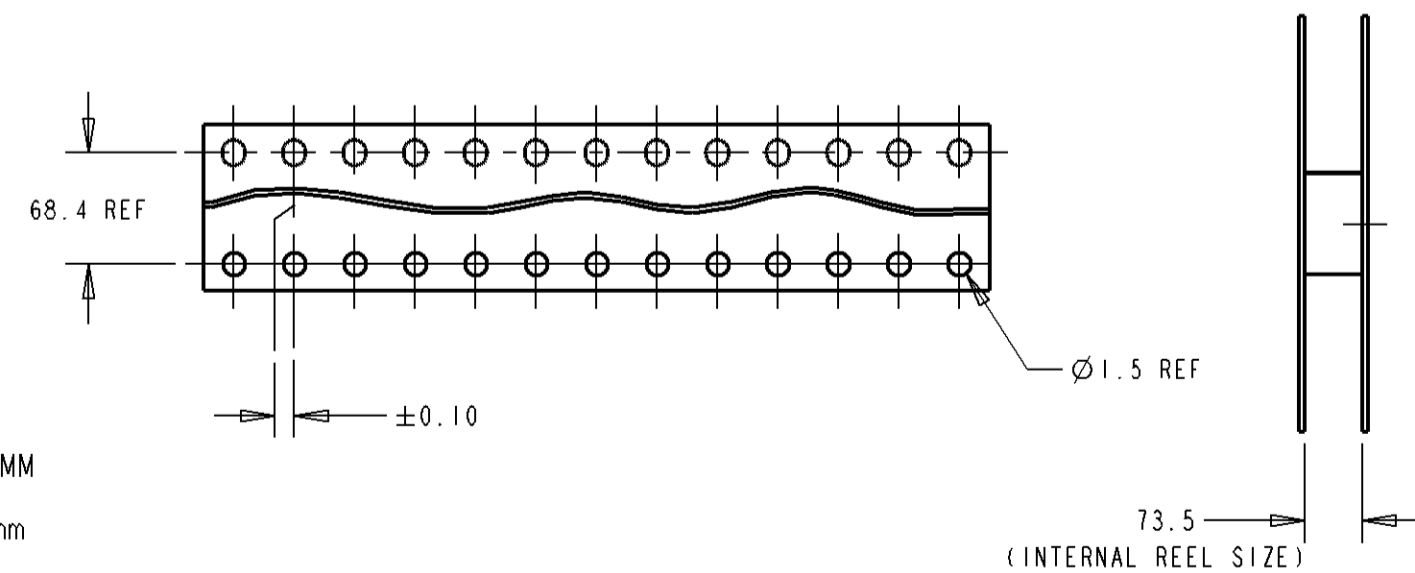
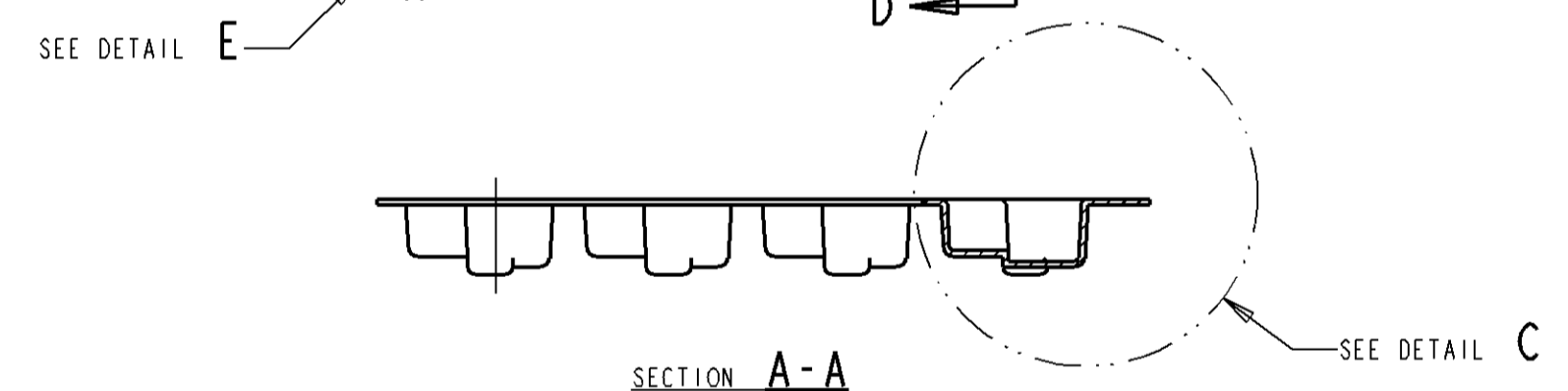
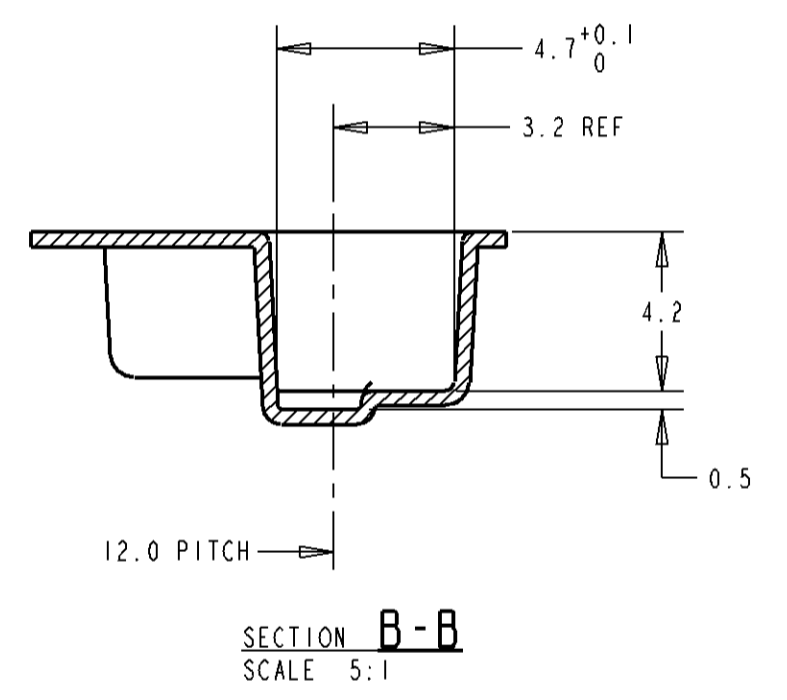
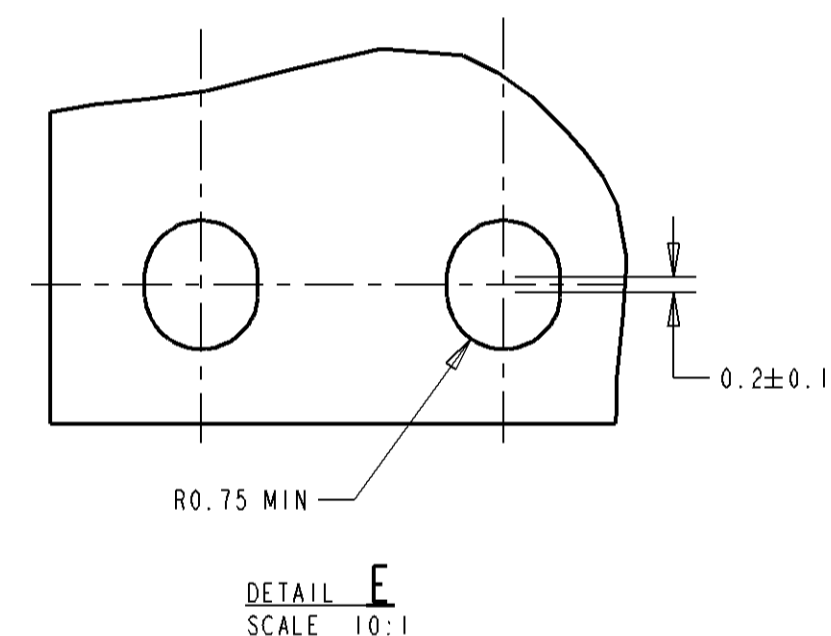
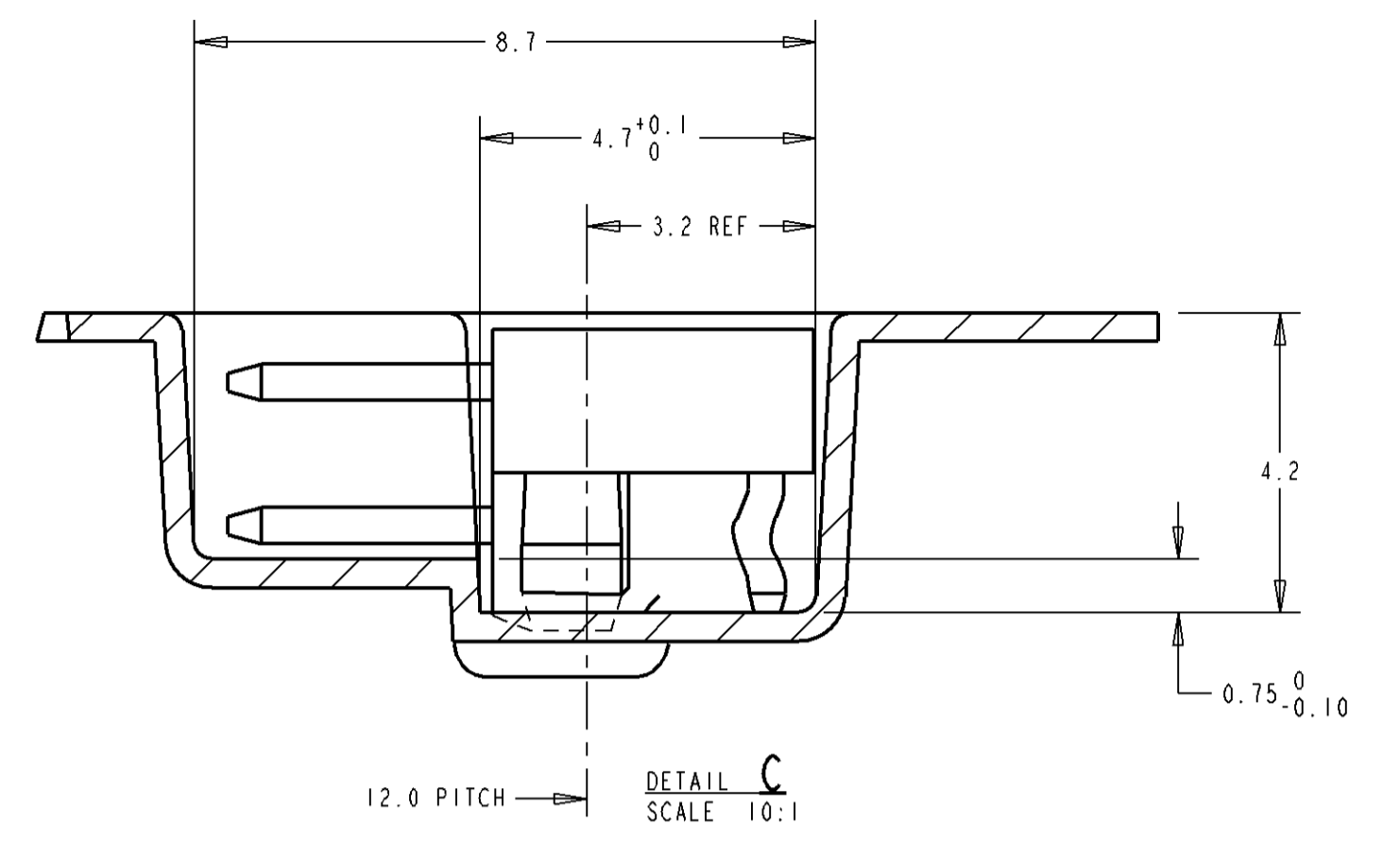
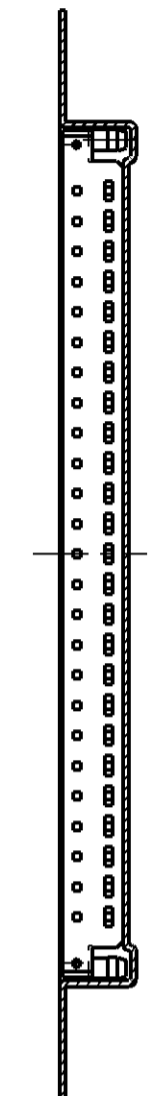
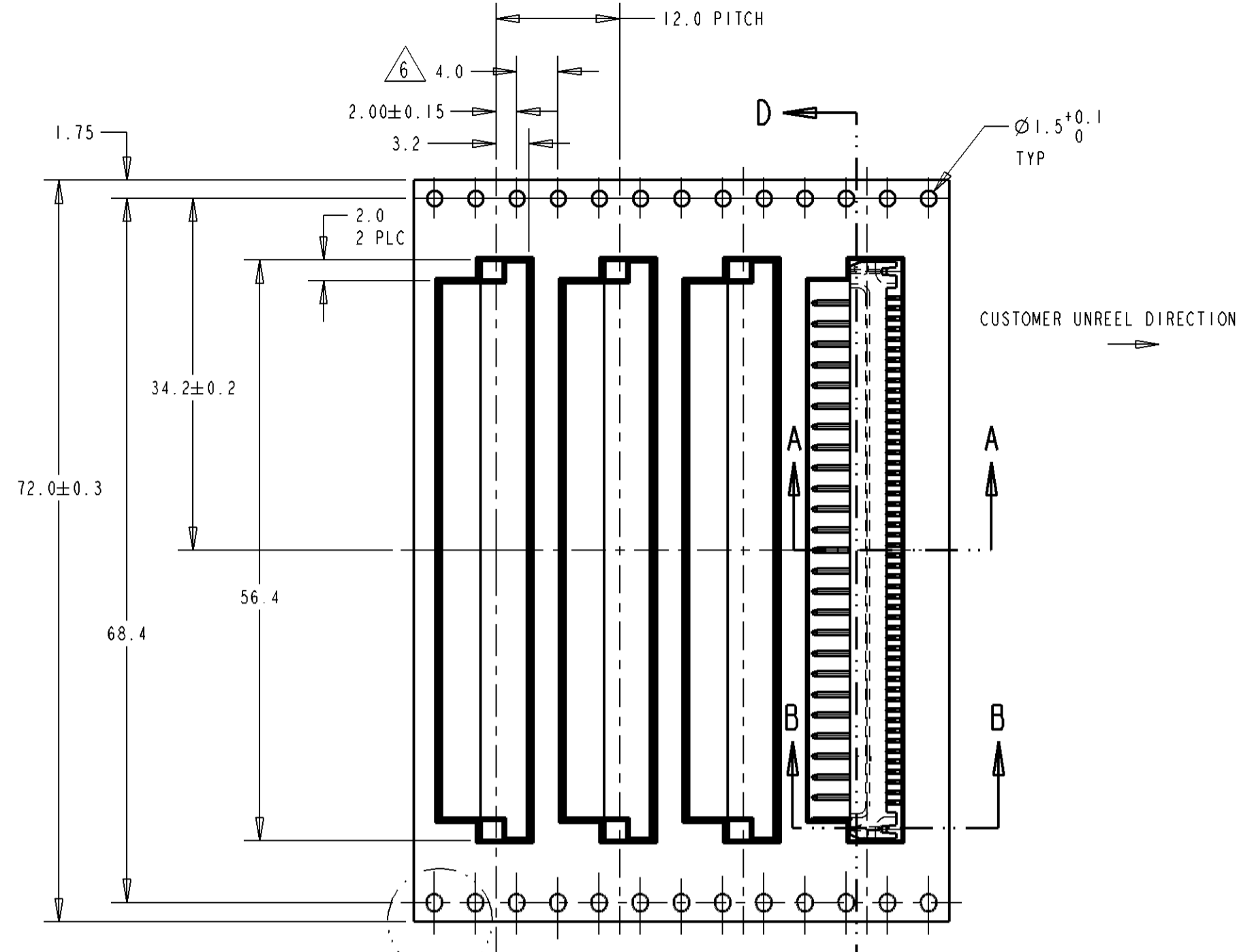
- NOTES:
- MATERIAL:
HOUSING: PPS, UL94-0, BLACK
POST: COPPER ALLOY
 - FINISH:
CONTACT AREA: 0.76um GOLD OR GOLD FLASH OVER 0.76um Pd-Ni
SOLDER AREA: 2.54um MIN MATTE TIN ALLOY
UNDERPLATE: 1.3um MIN NICKEL ALL OVER
 - POSITION NO. FOR REFERENCE ONLY
 - ALL PCB CONTACT SURFACES OF SMT SOLDER TAILS TO BE A MAX OF 0.1 ABOVE -U- AND A MAX OF 0.05 BELOW -U- SUBJECT TO TOTAL 0.1
 - ALL DIMENSIONS, EXCEPT STRAIGHTNESS TO BE MEASURED WITH BOW REMOVED



REFER TO PG 2 OF 2	TAPE&REEL	0.8	52.10	52.58	54.79	48	24	49	49	54.15	56.03	-	NIL	50	1735798-1										
REMARKS	PACKAGING	K	J	H	G	F	E	D	C	B	A	CUST. P/N FOR REF ONLY	POSTS OMITTED	POS	PART NO.										
THIS DRAWING IS A CONTROLLED DOCUMENT FOR AMP INCORPORATED. IT IS SUBJECT TO CHANGE AND THE CONTROLLING ENGINEERING ORGANIZATION SHOULD BE CONTACTED FOR THE LATEST REVISION.												DWN TY PANG 23APR2009 CHK SF LEONG 23APR2009 APVD SF LEONG 23APR2009 PRODUCT SPEC APPLICATION SPEC WEIGHT CUSTOMER DRAWING		Tyco Electronics Singapore Pte. Ltd.		NAME HEADER ASSEMBLY, 2mm AMPMODU SMT, R/A, D/R		SIZE A2		CAGE CODE 00779		DRAWING NO C=1735798		SCALE 3:1 SHEET 1 OF 2 REV A	

THIS DRAWING IS UNPUBLISHED. RELEASED FOR PUBLICATION
 © COPYRIGHT 19 BY AMP INCORPORATED. ALL RIGHTS RESERVED.

LOC	DIST	REVISIONS			
P	LTR	DESCRIPTION	DATE	DWN	APVD
DY	-	SEE SHEET 1	-	-	-



- NOTES:
- ALL DIMENSIONS IN MM
 - GENERAL TOL: ±0.1mm
 - MATERIAL: HOUSING THK 0.4mm
 - PACKAGING PER REEL: 1115 POCKETS; OD: 330mm, ID: 100mm
 - QTY PER REEL: 1000 PCS
 - 10 PITCHES CUMULATIVE TOLERANCE ON TAPE ±0.2mm
 - PEELING STRENGTH: 10g~70g
 PEELING ANGLE 165~180
 PEELING SPEED: 300mm/MINUTE
 - TAPE & REEL PACKAGING APPLY TO P/N: 1-84108-2, 1-84108-4

TAPE & REEL PACKAGING

THIS DRAWING IS A CONTROLLED DOCUMENT FOR AMP INCORPORATED. IT IS SUBJECT TO CHANGE AND THE CONTROLLING ENGINEERING ORGANIZATION SHOULD BE CONTACTED FOR THE LATEST REVISION.		DWN TY PANG 23APR2009	tyco Electronics Tyco Electronics Singapore Pte. Ltd.	
DIMENSIONS: mm		CHK SF LEONG 23APR2009	NAME HEADER ASSEMBLY, 2mm AMPMODU SMT, R/A, D/R	
TOLERANCES UNLESS OTHERWISE SPECIFIED: 0 PLC ±0.2 1 PLC ±0.2 2 PLC ±0.25 3 PLC ±0.3 4 PLC ±0.3 ANGLES ±3° FINISH -		APVD SF LEONG 23APR2009	DRAWING NO C-1735798	
MATERIAL -		PRODUCT SPEC -	SIZE A2	CAGE CODE 00779
		APPLICATION SPEC -	DRAWING NO C-1735798	
		WEIGHT -	SCALE 3:1	SHEET 2 OF 2
		CUSTOMER DRAWING	REV A	

单击下面可查看定价，库存，交付和生命周期等信息

[>>TE Connectivity\(泰科\)](#)