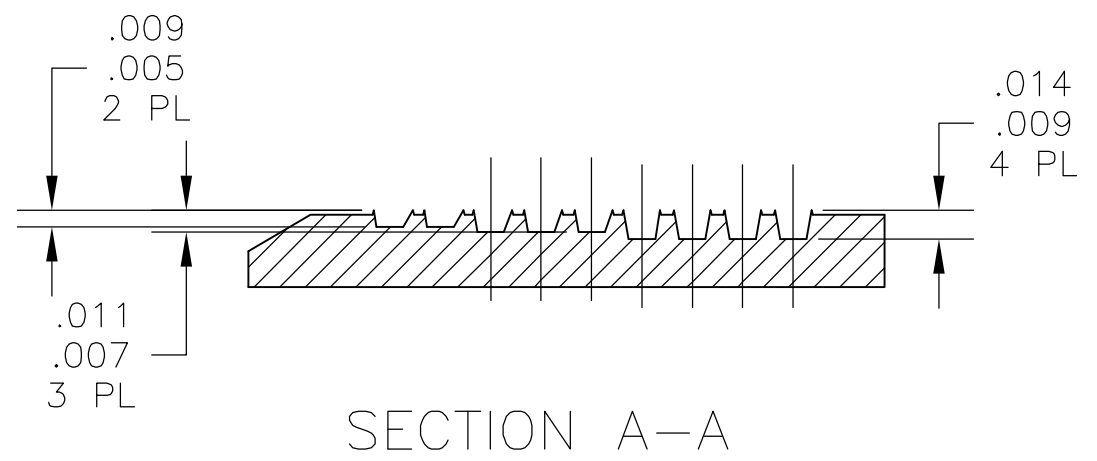
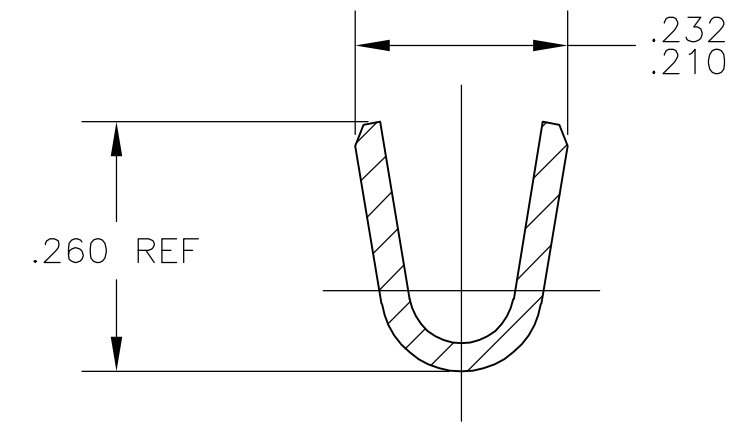
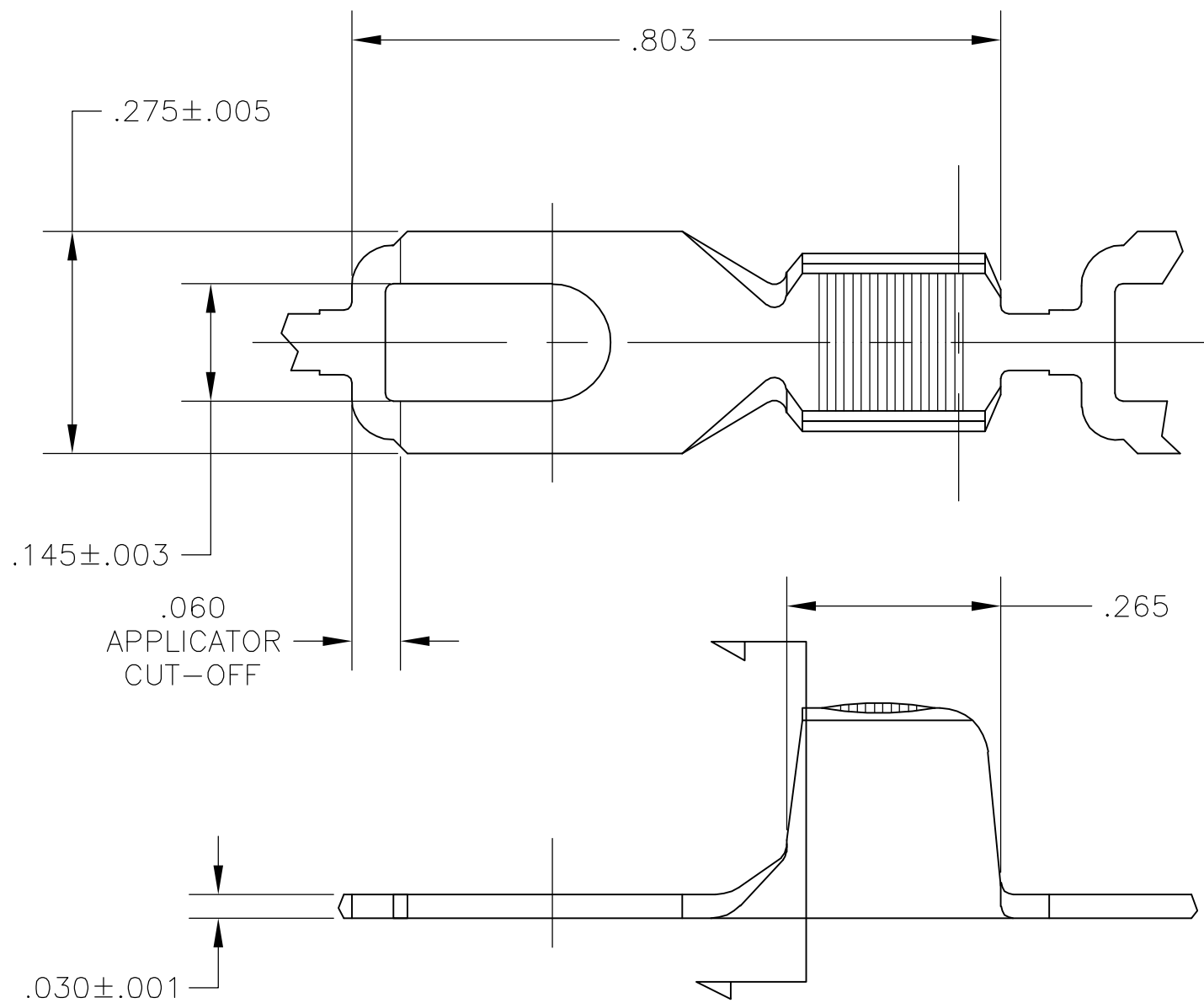


THIS DRAWING IS UNPUBLISHED. RELEASED FOR PUBLICATION
 © COPYRIGHT BY TYCO ELECTRONICS CORPORATION. ALL RIGHTS RESERVED.

LOC	DIST	REVISIONS					
AF	50	P	LTR	DESCRIPTION	DATE	DWN	APVD
			A3	REVISED PER ECR-06-022030	21SEP06	HMR	DD

- 1 CONTINUOUS STRIP ON REELS.
- 2 CRIMP WIDTH: .160 F TYPE.
 CRIMP HEIGHT ($\pm .002$) = (TOTAL CMA + 25,181) / 272,727
 GENERAL APPLICATOR GUIDELINES MUST BE FOLLOWED
 AS SPECIFIED IN CATALOG # 82221.



SECTION A-A

THIS DRAWING IS A CONTROLLED DOCUMENT.		DWN	JR RUTH	15SEP05
DIMENSIONS: INCHES		CHK	D.F. DECKER	15SEP05
TOLERANCES UNLESS OTHERWISE SPECIFIED:		APVD	D.F. DECKER	15SEP05
0 PLC	± -	PRODUCT SPEC	-	
1 PLC	± -	APPLICATION SPEC	-	
2 PLC	± -	WEIGHT	-	
3 PLC	± .010	CUSTOMER DRAWING	-	
4 PLC	± -	SCALE	5:1	
ANGLES	± -	SHEET	1 OF 1	
MATERIAL	082 BRASS	FINISH	.000150 MIN TIN	
		RESTRICTED TO	-	

7000-13000		1742348-1	
WIRE RANGE		PART NUMBER	
		Tyco Electronics Corporation Harrisburg, PA 17105-3608	
NAME		SPADE, AMPLIVAR, 9 SERRATIONS, 6 STUD SIZE	
SIZE	A3	CAGE CODE	00779
DRAWING NO	C-1742348		
RESTRICTED TO		-	

单击下面可查看定价，库存，交付和生命周期等信息

[>>TE Connectivity\(泰科\)](#)