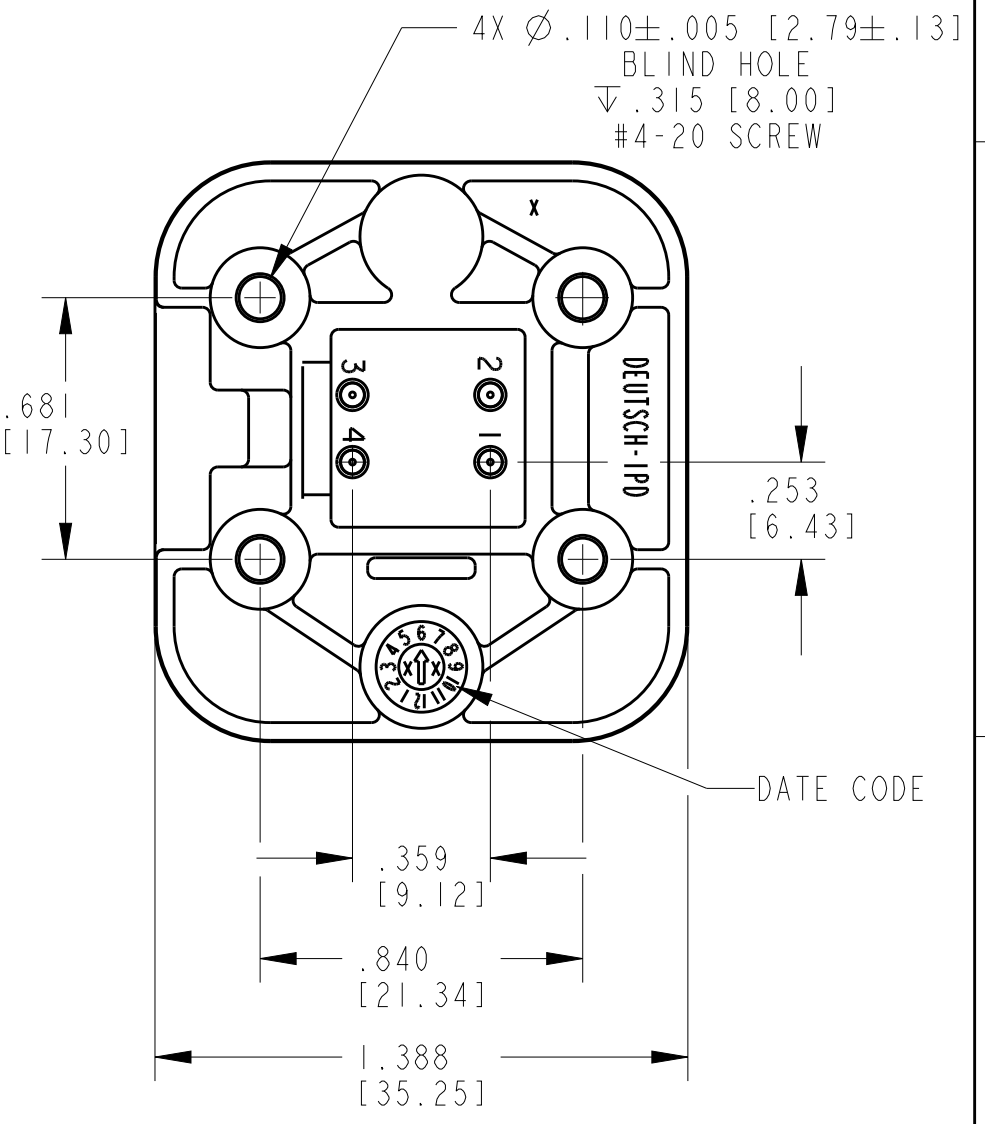
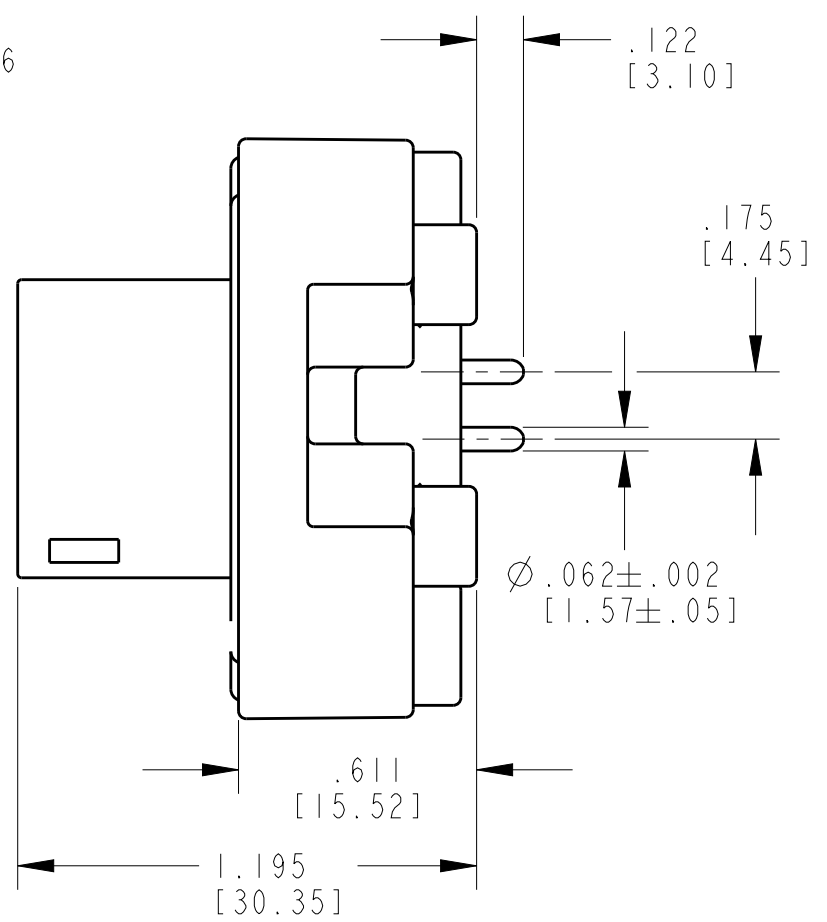
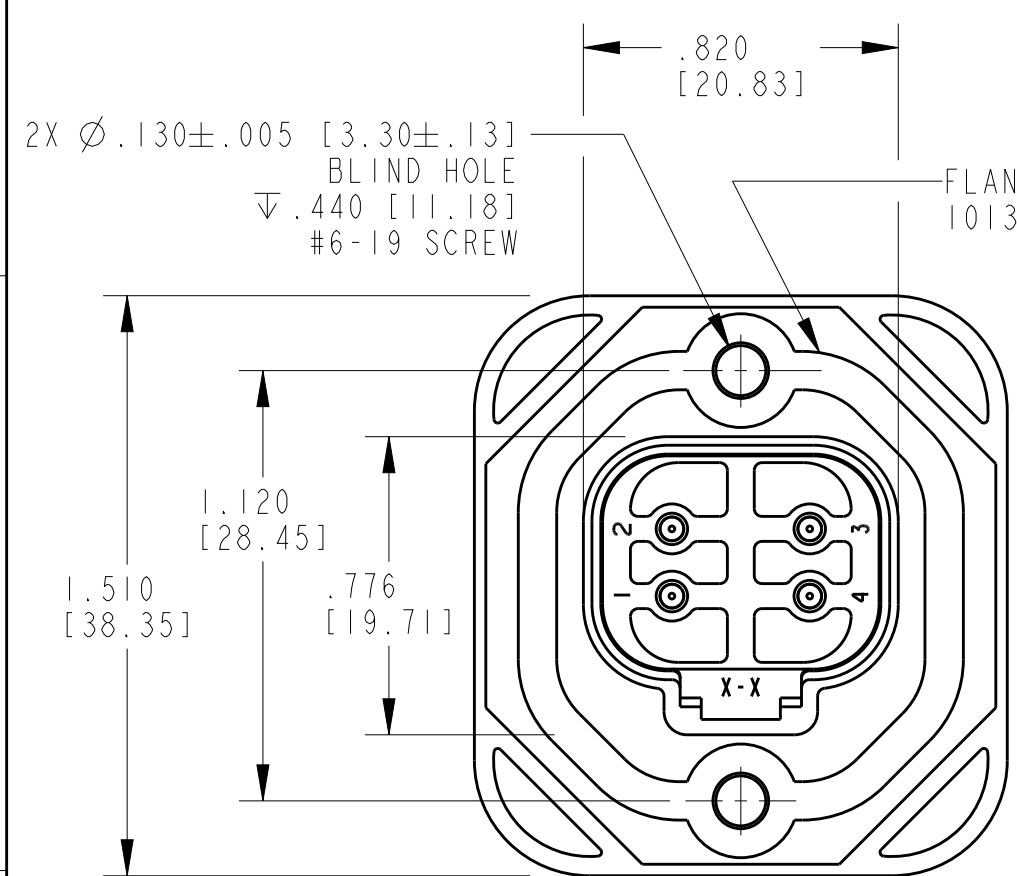


THIS DRAWING IS UNPUBLISHED
 RELEASED FOR PUBLICATION 2014
 © COPYRIGHT 2013 BY TE CONNECTIVITY ALL RIGHTS RESERVED.

LOC	DIST	REVISIONS			
P	LTR	DESCRIPTION	DATE	DWN	APVD
	C	REVISED PER E.O. PI8200	6-16-03		RDR
	D	REVISED PER E.O. PI9401	11-20-06		RDR
	D1	REVISED PER ECO-14-010107	03JUL2014	JA	DM
	D2	REVISED PER PCN E-19-016091	25SEP2019	PK	DM



7 MINIMUM RECOMMENDED HOLE SIZE. CUSTOMER TO DETERMINE FINISHED HOLE SIZE BASED ON SOLDER PROCESS,

6. MOUNTING SCREW TORQUE VALUES ARE AS FOLLOWS:
 #6-19 SCREWS: 13±2.0 IN-LB [1.47±.23 N-M].
 #4-20 SCREWS: 8±2.0 IN-LB [.90±.23 N-M].
 VALUES VALID FOR PLASTITE 48 SCREWS ONLY.



- 5. RECOMMENDED MOUNTING SCREWS (NOT INCLUDED): CAMCAR PLASTITE 48, SINGLE HELIX.
- 4. THIS RECEPTACLE MATES WITH DT06-4S-XXXX PLUG (XXXX = ALL MODIFICATIONS.)
- 3. CONTACT PLATING - MATING SIDE: NICKEL; PCB SIDE: TIN.

2 MATERIALS:
 SHELL: PA GF30 (GRAY)
 SEAL: SILICONE (ORANGE-RED)
 PIN CONTACTS: COPPER ALLOY

1 DIMENSION TOLERANCE: ±.025 [.64]
 PANEL CUTOUT: ±.010 [.25]
 PIN LOCATIONS: ±.005 [.13]
 MOUNTING HOLE LOCATIONS: ±.005 [.13]
 PCB LAYOUT: ±.005 [.13]

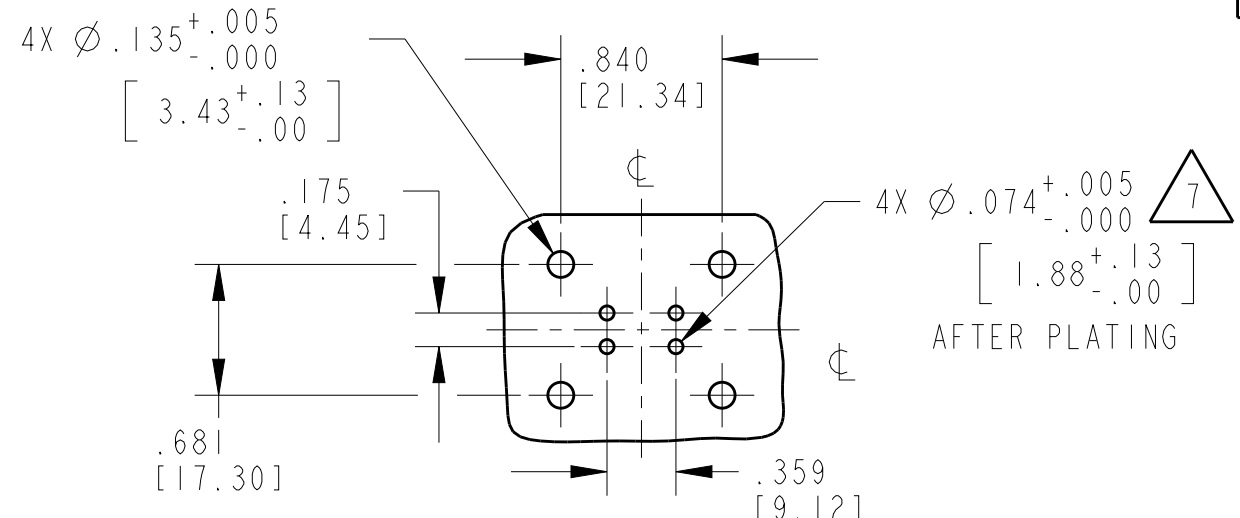
NOTES:

TCPN	ALIAS PART NUMBER
DT15-4P	DT15-4P

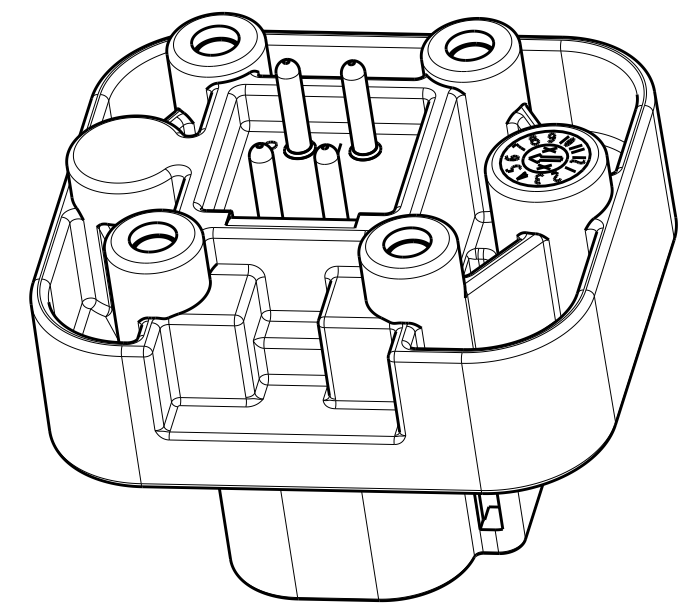
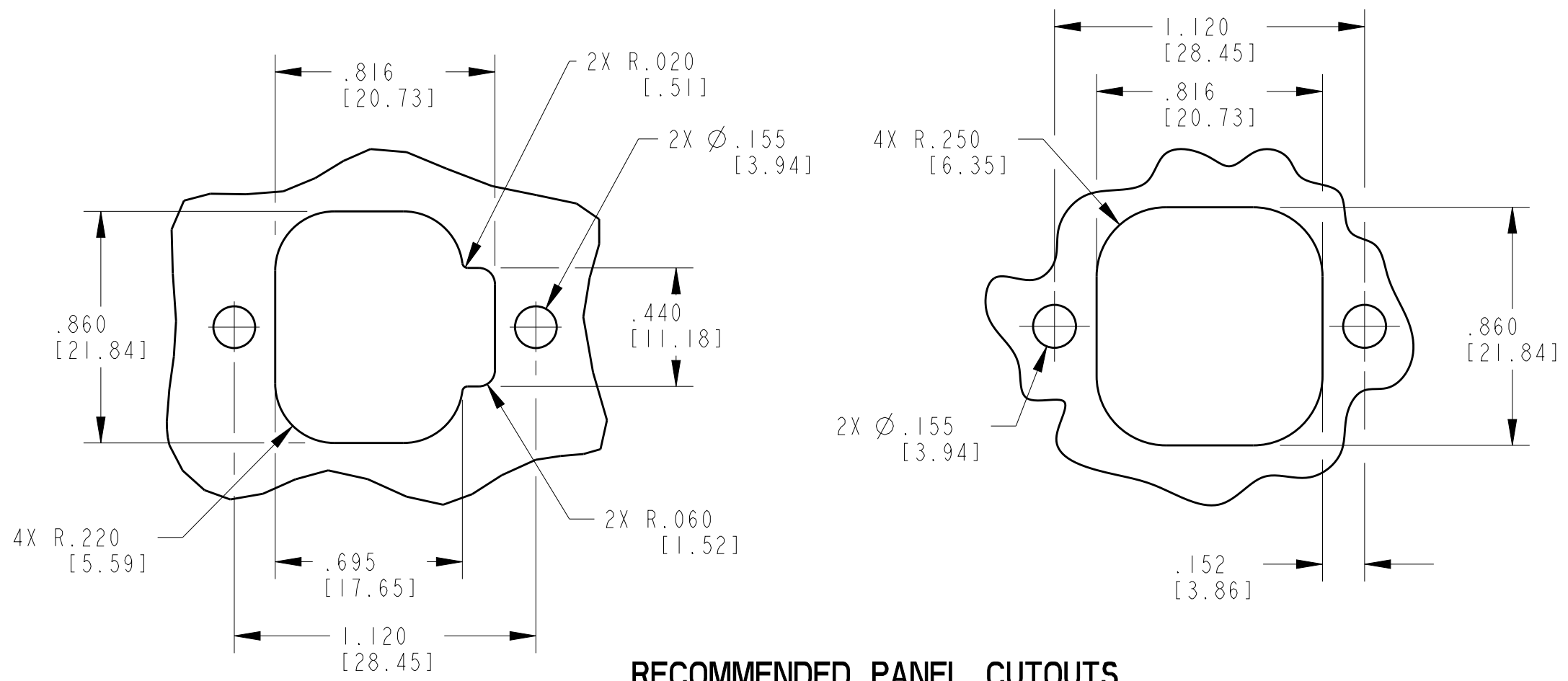
THIS DRAWING IS A CONTROLLED DOCUMENT.		DWN P. BURKE 20DEC2001	 TE Connectivity	
DIMENSIONS: INCHES [mm]		CHK KEVIN MCKEE 03JUL2014		
TOLERANCES UNLESS OTHERWISE SPECIFIED:		APVD DAVID MEYER 03JUL2014	NAME RECEPTACLE HEADER 4 PIN 180 DEG DT SERIES	
0 PLC ± 1 PLC ± 2 PLC ± 3 PLC ± 4 PLC ± ANGLES ±1°		PRODUCT SPEC 108-151009	SIZE A3	
MATERIAL		APPLICATION SPEC	CAGE CODE 4AFU8	DRAWING NO DT15-4P
FINISH		WEIGHT 19g±10%	RESTRICTED TO -	
		CUSTOMER DRAWING	SCALE 2:1	SHEET 1 OF 2 REV D2

THIS DRAWING IS UNPUBLISHED
 RELEASED FOR PUBLICATION 2014
 © COPYRIGHT 2013 BY TE CONNECTIVITY ALL RIGHTS RESERVED.

LOC		DIST		REVISIONS				
P	LTR	DESCRIPTION	DATE	DWN	APVD			
		SEE SHEET 1	-	-	-			



RECOMMENDED PCB LAYOUT



RECOMMENDED PANEL CUTOUTS

THIS DRAWING IS A CONTROLLED DOCUMENT.		DWN P. BURKE 20DEC2001																		
DIMENSIONS: INCHES [mm]		CHK KEVIN MCKEE 03JUL2014																		
TOLERANCES UNLESS OTHERWISE SPECIFIED:		APVD DAVID MEYER 03JUL2014	NAME RECEPTACLE HEADER 4 PIN 180 DEG DT SERIES																	
<table border="0"> <tr> <td>0 PLC</td> <td>±</td> <td rowspan="5">$\triangle 1$</td> </tr> <tr> <td>1 PLC</td> <td>±</td> </tr> <tr> <td>2 PLC</td> <td>±</td> </tr> <tr> <td>3 PLC</td> <td>±</td> </tr> <tr> <td>4 PLC</td> <td>±</td> </tr> <tr> <td>ANGLES</td> <td>±1°</td> <td></td> </tr> </table>		0 PLC	±	$\triangle 1$	1 PLC	±	2 PLC	±	3 PLC	±	4 PLC	±	ANGLES	±1°		PRODUCT SPEC 108-151009	SIZE A3	CAGE CODE 4AFU8	DRAWING NO G=DT15-4P	RESTRICTED TO -
0 PLC	±	$\triangle 1$																		
1 PLC	±																			
2 PLC	±																			
3 PLC	±																			
4 PLC	±																			
ANGLES	±1°																			
MATERIAL $\triangle 2$		FINISH	WEIGHT 19g±10%	CUSTOMER DRAWING		SCALE 2:1	SHEET 2 OF 2	REV D2												

单击下面可查看定价，库存，交付和生命周期等信息

[>>TE Connectivity\(泰科\)](#)