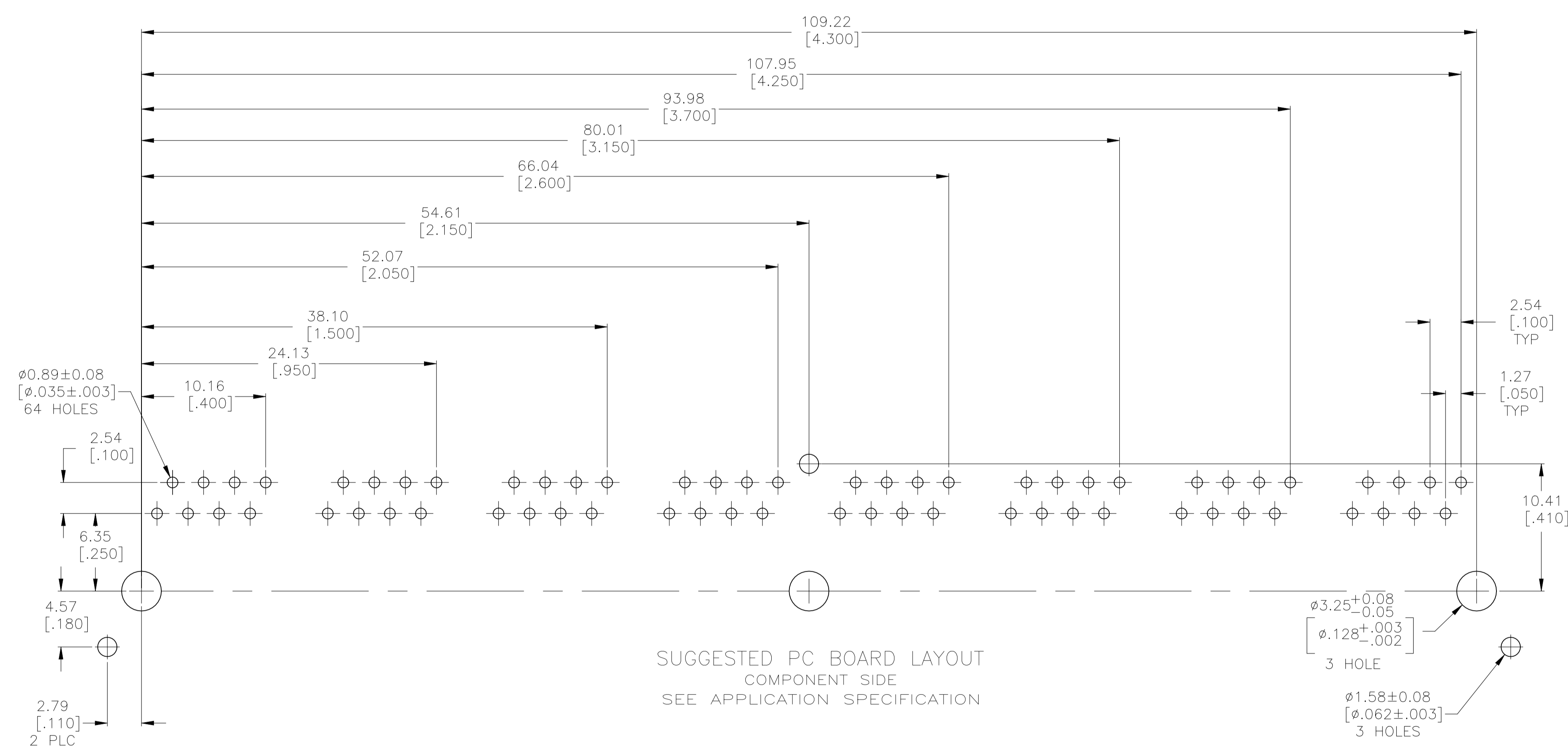
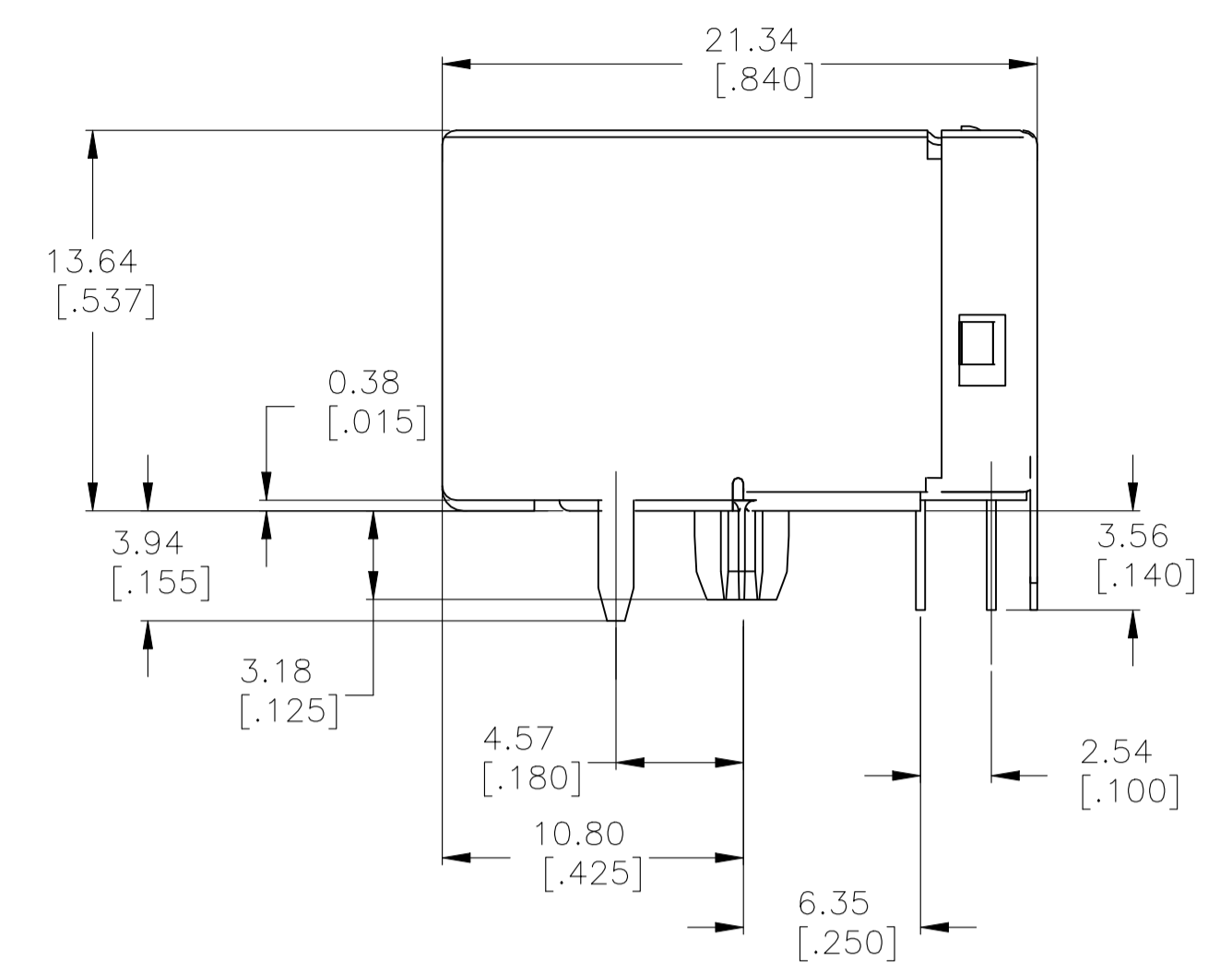
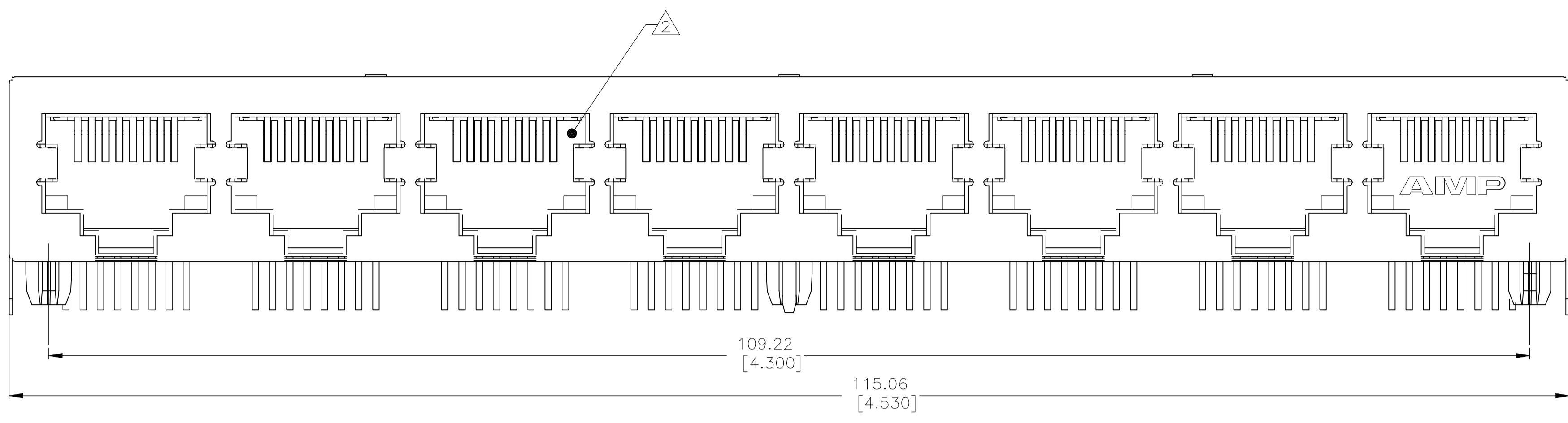


REVISIONS					
REV	DESCRIPTION	DATE	BY	APP'D	
C3	ECR-19-014657	13DEC2020	RR	SZ	



- MATERIAL: HOUSING-HIGH TEMPERATURE NYLON, BLACK, IR COMPATIBLE, UL 94V-0.
 TERMINALS - 0.33 [.013] THICK PHOS BRONZE PLATED WITH 1.27um [.000050] MINIMUM HARD GOLD IN LOCALIZED AREA AND 3.81um [.000150] MINIMUM TIN IN SOLDER AREA OVER 1.27um [.000050] MINIMUM NICKEL UNDERPLATE
 SHIELDS - 0.25 [.010] THICK COPPER ALLOY PLATED WITH 1.27 um [.000050] MINIMUM NICKEL AND 2.03 um [.000080] MINIMUM HOT TIN DIP ON PCB GROUND TABS.
- (C2) JACK CAVITY CONFORMS TO FCC RULES AND REGULATIONS, PART 68 SUBPART F.
 (C3) CAUTION: CATEGORY 5 JACK SOLDER TAIL POSITIONS DO NOT FOLLOW SAME NUMBER SEQUENCE AS THAT OF THE TRADITIONAL JACKS.



5558505-1
PART NO.

THIS DRAWING IS A CONTROLLED DOCUMENT.		DIMENSIONS: mm [INCHES]		TOLERANCES UNLESS OTHERWISE SPECIFIED: 0. PLC ± - 1. PLC ± - 2. PLC ± 0.25[.010] 3. PLC ± - 4. PLC ANGLES ± -		MATERIAL: SEE NOTE 1		FINISH: SEE NOTE 1		WEIGHT: 0.000000		CUSTOMER DRAWING	
DIM: W. LONG/L.A.MAYER CHK: J.WESTMAN APVD: S.FLICKINGER		DATE: 04NOV2006 DATE: 04NOV2006 DATE: 04NOV2006		NAME: S.FLICKINGER		PRODUCT SPEC: 108-1163-2		APPLICATION SPEC: 114-2048		SIZE: A1 CAGE CODE: 00779 DRAWING NO: 5558505		RESTRICTED TO: -	
MODULAR JACK ASSEMBLY, 8 PORT, 8 POSITION, RIGHT ANGLE, CATEGORY 5e										SCALE: 4:1		SHEET: 1 of 1 REV: C3	

单击下面可查看定价，库存，交付和生命周期等信息

[>>TE Connectivity\(泰科\)](#)